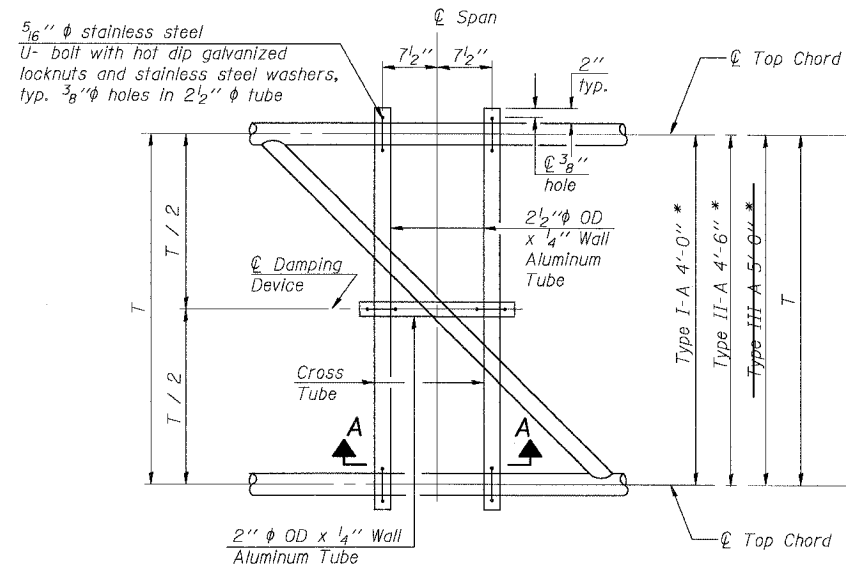
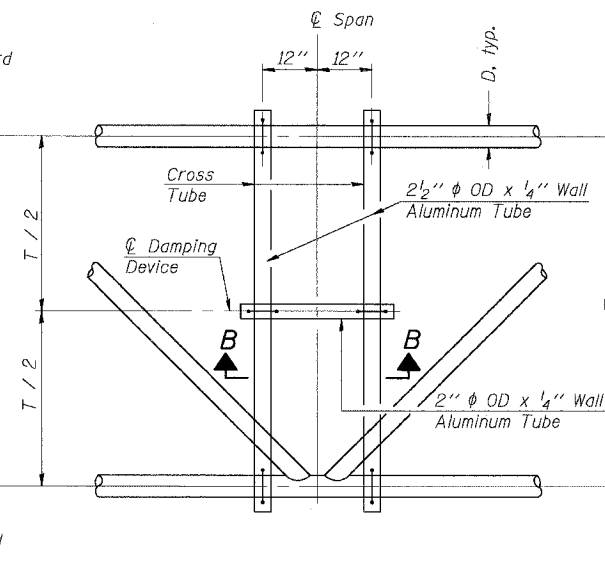


F.A.I. RTE.	SECTION	COUNTY	TOTAL SHEETS	SHEET NO.
55	2005-062 I	WILL	72	30
STA.	TO STA.			
FED. ROAD DIST. NO.	ILLINOIS	FED. AID PROJECT		

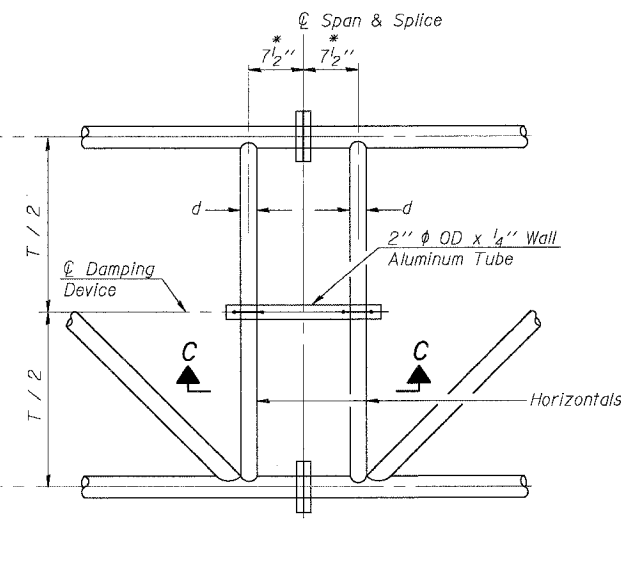
* Center of horizontal to center of splice dimension may vary. Verify before drilling holes in mounting tube.



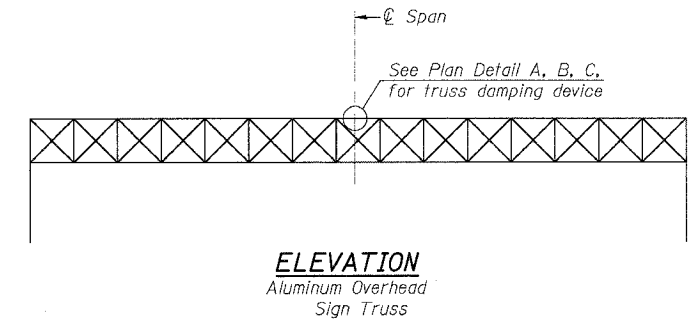
PLAN DETAIL "A"
Span between Panel Points



PLAN DETAIL "B"
Span at Panel Point



PLAN DETAIL "C"
Span at Chord Splice

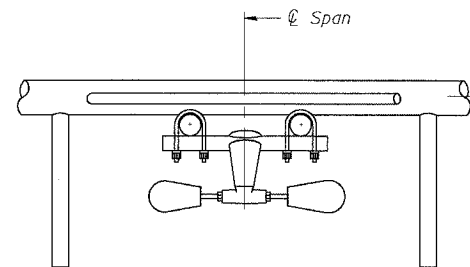


ELEVATION
Aluminum Overhead Sign Truss

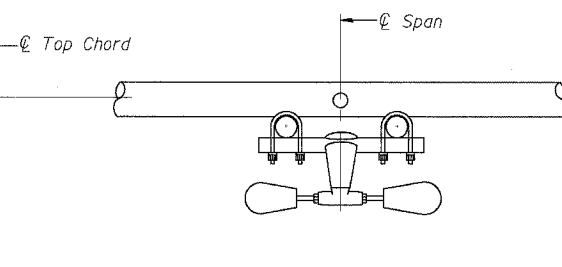
NOTES

Damper: One damper per truss.
(31 lbs. Stockbridge-Type Aluminum)
Cost included in Overhead Sign Structure...

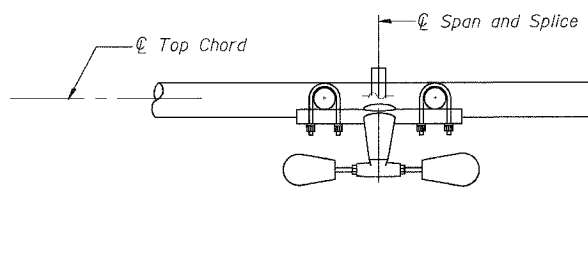
Materials: Aluminum tubes shall be ASTM B221 alloy 6061 temper T6. Cost included in Overhead Sign Structure...



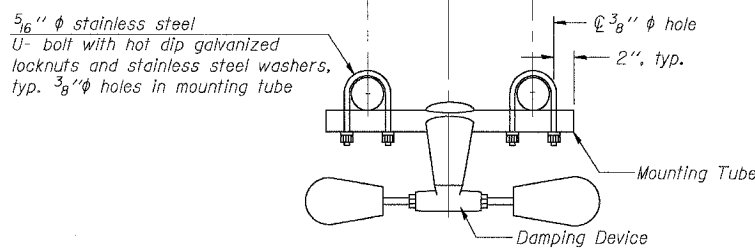
SECTION A-A



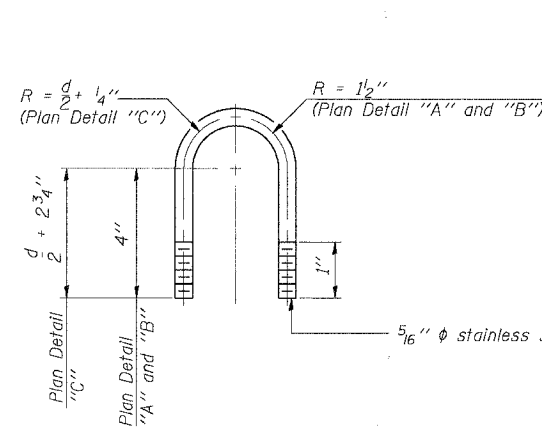
SECTION B-B



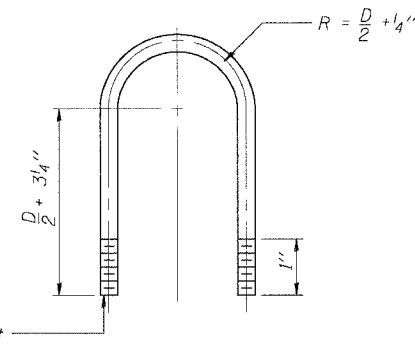
SECTION C-C



TRUSS DAMPING DEVICE CONNECTION DETAIL
(Typical)



DAMPING DEVICE MOUNTING TUBE U-BOLT DETAIL
(Typical)



TOP CHORD TO CROSS TUBE U-BOLT DETAIL
(Typical - Detail "A" and "B")

PLOT DATE = DATE
 FILE NAME = FILE
 USER NAME = USER
 \AS0914809.DWG
 5-17-2005 14:27:29
 GARCIAPAZ
 S:\DOCUMENT\0236168\STRUCT\DESIGN\SS07A0214.SHT

OS-A-D 1-7-05

SHT. S-4 OF 27

REVISIONS	
NAME	DATE

ILLINOIS DEPARTMENT OF TRANSPORTATION
 FAI ROUTE 55 (I-80 TO U.S. 30)
 SIGNING
 WILL COUNTY

OVERHEAD SIGN STRUCTURES DAMPING DEVICE

SCALE: DRAWN BY MDB
 DATE 05/19/06 CHECKED BY MJK

TENG TENG & ASSOCIATES, INC.
 ENGINEERS/ARCHITECTS/PLANNERS
 CHICAGO, ILLINOIS