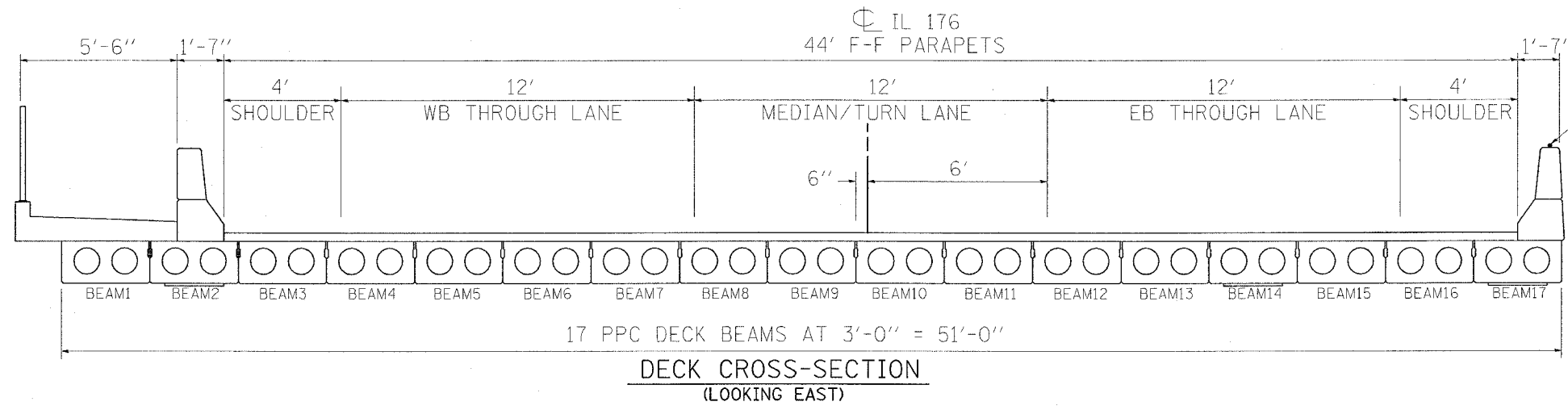
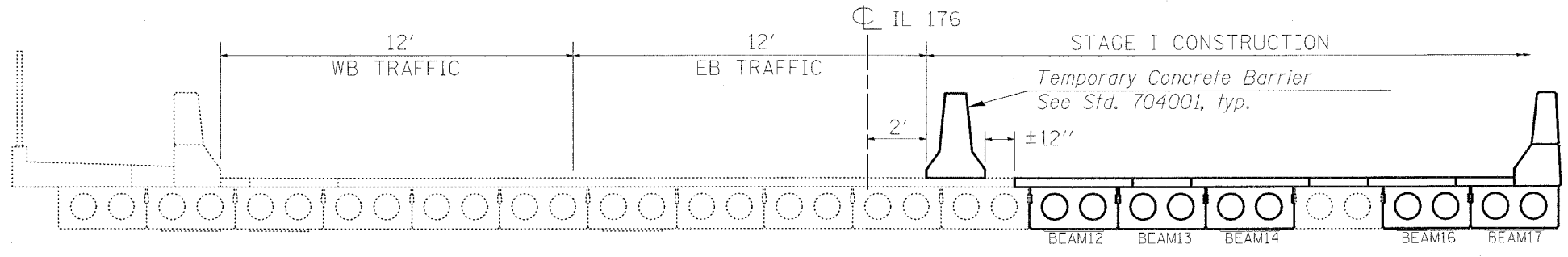


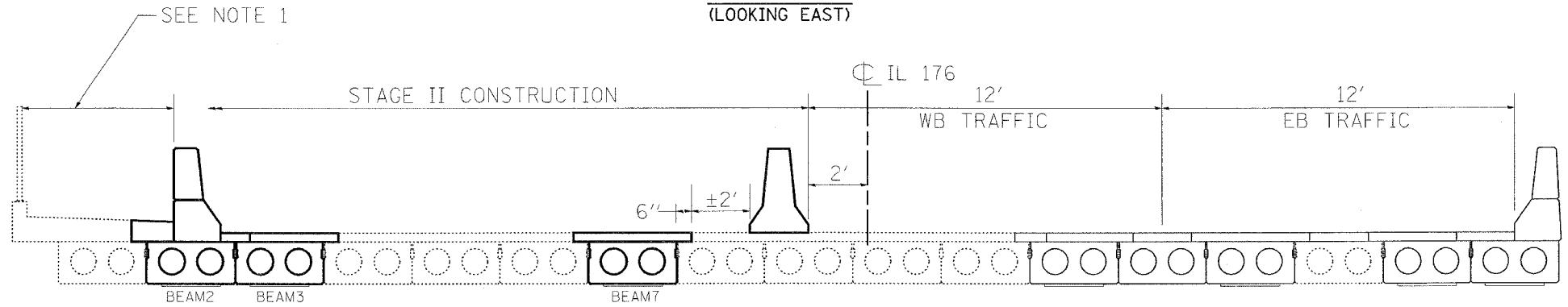
F.A.U. RTE.	SECTION	COUNTY	TOTAL SHEETS	SHEET NO.
1238	125_SB-1-1-1	LAKE	13	4
STA. _____		TO STA. _____		
FED. ROAD DIST. NO. - ILLINOIS FED. AID PROJECT				



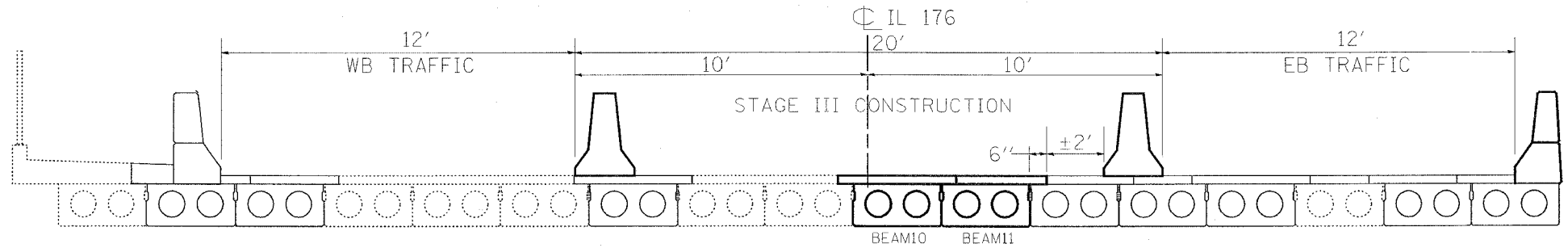
SEE NOTE 2



STAGE I
(LOOKING EAST)



STAGE II
(LOOKING EAST)



STAGE III
(LOOKING EAST)

NOTE:

- CLOSE SIDEWALK PER STD 701801 AND DETOUR ACROSS TO BIKE/PEDESTRIAN PATH AT TRAFFIC LIGHTS AT SHAGBARK & SKOKIE VALLEY RDS
- EXISTING 2" Ø CONDUIT TO BE REMOVED BY OTHERS

REVISIONS	
NAME	DATE

ILLINOIS DEPARTMENT OF TRANSPORTATION

TRAFFIC STAGING
IL RT. 176 / US 41
SN 049-0131
1 OF 3

SCALE: VERT. _____
HORIZ. _____

DATE _____ DRAWN BY _____
CHECKED BY _____

PLOT DATE = 6/2/2006
FILE NAME = c:\pwworkspace\1319285\design\oadgn
USER NAME = gullamerp