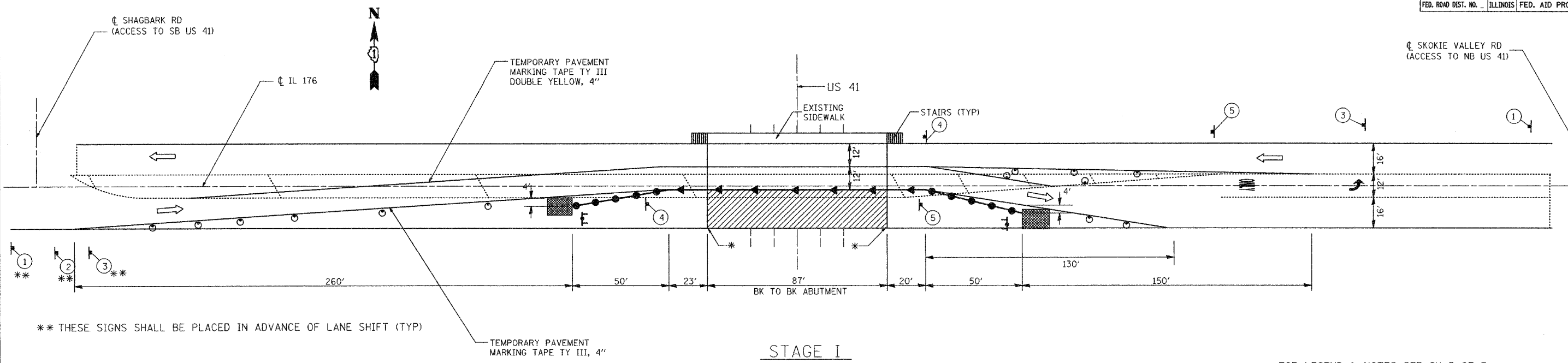


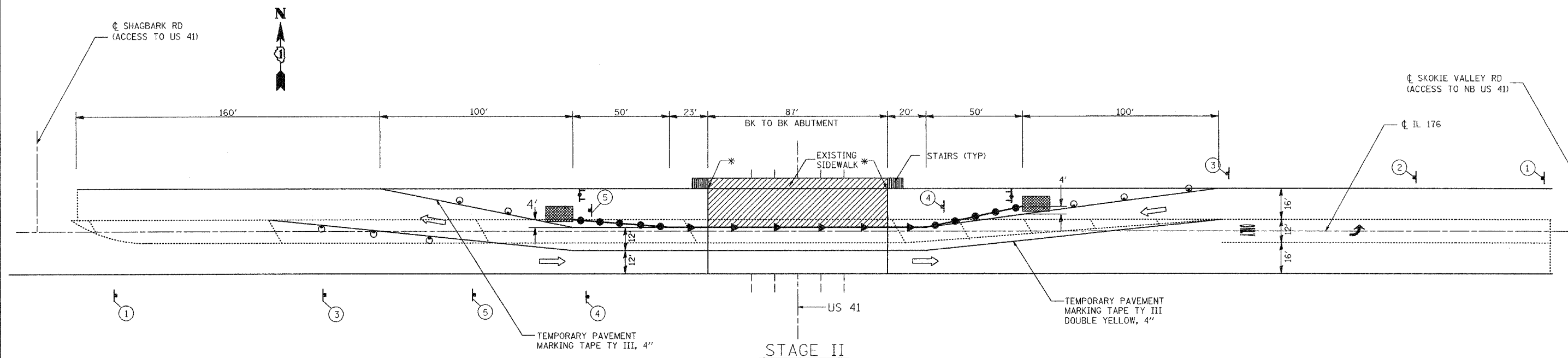
CONTRACT NO. 60667				
F.A.U. R.T.E.	SECTION	COUNTY	TOTAL SHEETS	SHEET NO.
1238	125_SB-1-1-1	LAKE	13	5
STA. _____		TO STA. _____		
FED. ROAD DIST. NO. ILLINOIS FED. AID PROJECT				



STAGE I

FOR LEGEND & NOTES SEE SH 3 OF 3

\* DISCONNECT & RECONNECT EXISTING GUARDRAIL TO PARAPET. COST INCLUDED IN " TRAFFIC CONTROL & PROTECTION (SPECIAL) "



STAGE II

REVISIONS	
NAME	DATE

ILLINOIS DEPARTMENT OF TRANSPORTATION  
 STAGING LAYOUT FOR  
 TEMPORARY CONCRETE BARRIER  
 AND TEMPORARY PAVEMENT MARKINGS  
 SN 049-0131  
 2 of 3

SCALE: VERT. \_\_\_\_\_  
 HORIZ. \_\_\_\_\_  
 DATE \_\_\_\_\_

DRAWN BY \_\_\_\_\_  
 CHECKED BY \_\_\_\_\_

PLOT DATE = 6/16/2006  
 FILE NAME = c:\projects\60667\125sb-1-1-1\design\stage1.dgn  
 PLOT SCALE = 1/8" = 1'-0"  
 USER NAME = gml11111111