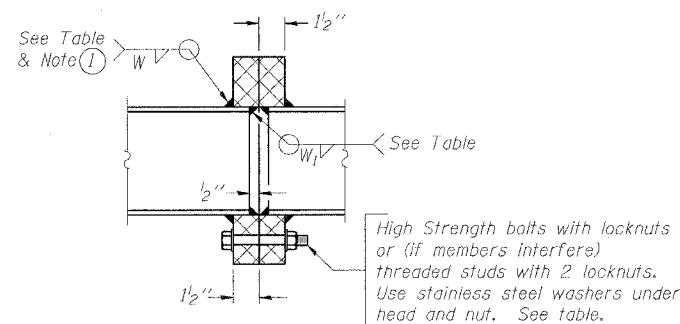


STATE OF ILLINOIS  
DEPARTMENT OF TRANSPORTATION

ROUTE NO.	SECTION	COUNTY	TOTAL SHEETS	SHEET NO.
F.A.I. RTE. 90/94	*	COOK	565	256
FED. ROAD DIST. NO. 1	ILLINOIS	FED. AID PROJECT-		
* U818, ETC. 2324.6-1P) R-10				62301

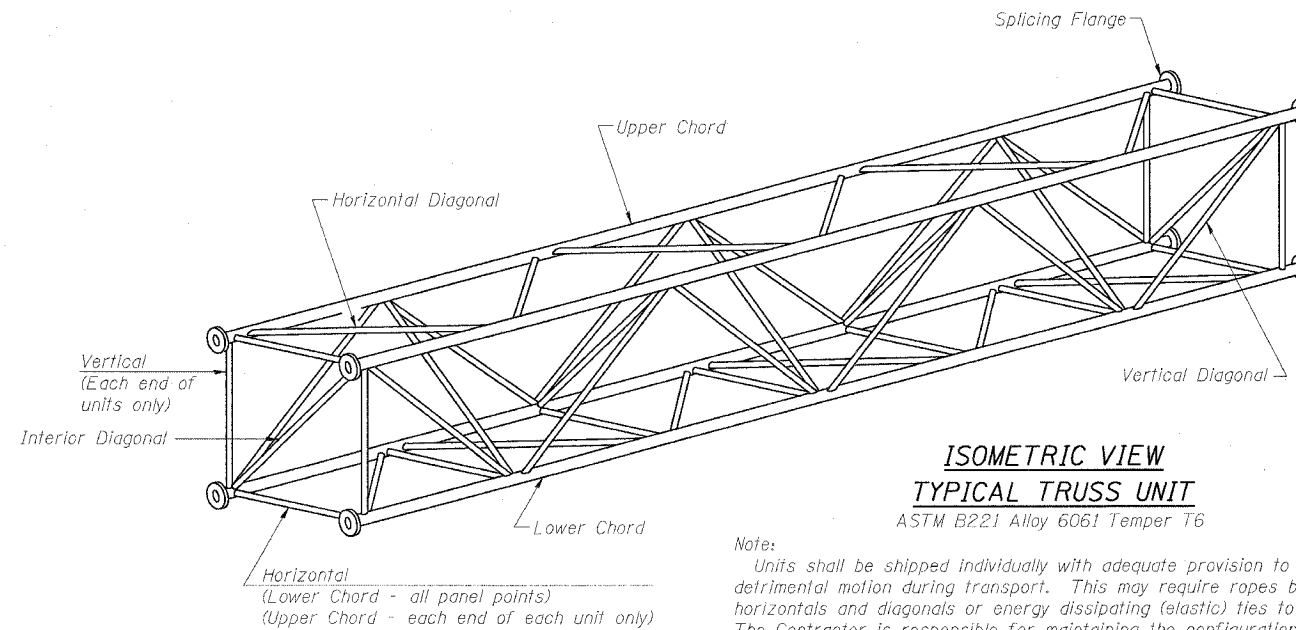
TRUSS UNIT TABLE

Structure Number	Station	Design Truss Type	Exterior Units (2)			Interior Unit				Upper & Lower Chord		Verticals; Horizontals; Vertical, Horizontal, and Interior Diagonals		Camber at Midspan	Splicing Flange					
			No. Panels per Unit	Unit Lgth.(L <sub>o</sub> )	Panel Lgth.(P)	No. Req'd.	No. Panels per Unit	Unit Lgth.(L <sub>i</sub> )	Panel Lgth.(P)	O.D.	Wall	O.D.	Wall		Bolts		Weld Sizes		A	B
															No./Splice	Dia.	W	W <sub>1</sub>		
ISO161094L057.3	4498+00.00	I-A	7	33'-4 1/2"	4'-6"	0	--	--	--	5"	1/4"	2 1/2"	1/4"	1.50"	6	7/8"	5/16"	1/4"	8 3/4"	11 3/4"
ISO161094L057.1	4506+75.00	I-A	7	34'-10"	4'-8 1/2"	0	--	--	--	5"	1/4"	2 1/2"	1/4"	1.65"	6	7/8"	5/16"	1/4"	8 3/4"	11 3/4"
ISO161094L056.9	4518+40.00	II-A	6	33'-4 1/2"	5'-3"	1	6	32'-9"	5'-3"	6"	5/16"	3"	5/16"	2.40"	6	7/8"	3/8"	1/4"	10 1/4"	13 3/4"
ISO161094L056.60	4535+80.00	I-A	8	37'-10 3/8"	4'-0"	--	--	--	--	5"	5/16"	2 1/2"	5/16"	1.95"	6	7/8"	5/16"	1/4"	8 3/4"	11 3/4"
ISO161094L056.43	4545+35.00	I-A	7	34'-3"	4'-7 1/2"	--	--	--	--	5"	1/4"	2 1/2"	1/4"	1.60"	6	7/8"	5/16"	1/4"	8 3/4"	11 3/4"
ISO161094L055.94	4571+00.00	I-A	8	39'-10 1/2"	4'-9"	--	--	--	--	5"	5/16"	2 1/2"	5/16"	2.15"	6	7/8"	5/16"	1/4"	8 3/4"	11 3/4"
ISO161094L055.41	4599+00.00	III-A	7	35'-8 1/2"	4'-10"	--	--	--	--	7"	5/16"	3 1/4"	5/16"	1.75"	6	1"	7/16"	5/16"	11 1/2"	15"



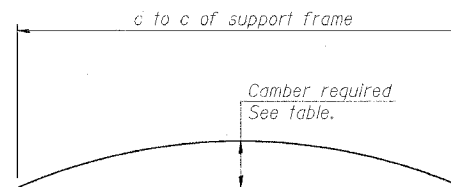
SECTION B-B

1 Splicing Flanges shall be attached to each truss unit with the truss shop assembled to camber shown. Truss units shall be in proper alignment and flange surfaces shall be shop bolted into full contact before welding. Sufficient external welds or tacks shall be made to secure flanges until remaining welds are made after disassembly. Adjacent flanges shall be "match marked" to insure proper field assembly.



ISOMETRIC VIEW  
TYPICAL TRUSS UNIT  
ASTM B221 Alloy 6061 Temper T6

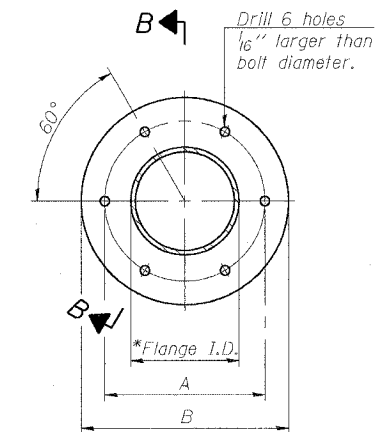
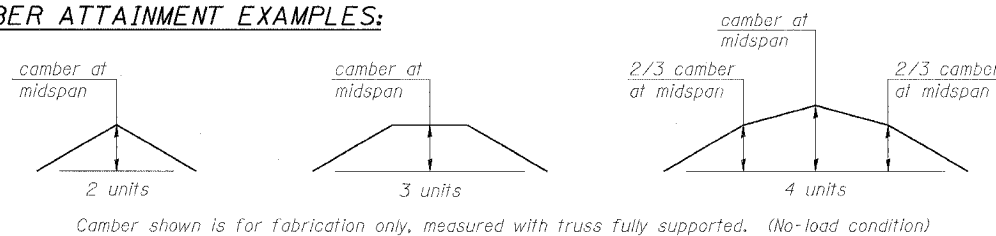
Note: Units shall be shipped individually with adequate provision to prevent detrimental motion during transport. This may require ropes between horizontals and diagonals or energy dissipating (elastic) ties to the vehicle. The Contractor is responsible for maintaining the configuration and protection of the units.



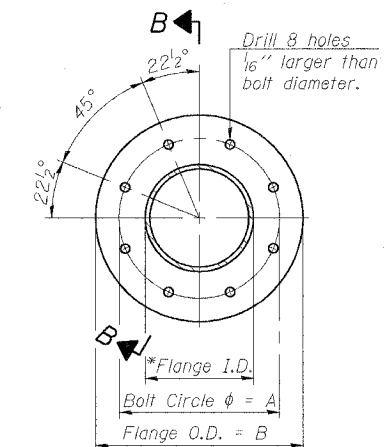
CAMBER DIAGRAM

Camber curve shown is theoretical. Actual camber attained by slope changes at splices between units.

CAMBER ATTAINMENT EXAMPLES:



TRUSS TYPES I-A, II-A, & III-A



TRUSS TYPES II-A & III-A

SPLICING FLANGES

ASTM B221, Alloy 6061-T6  
or ASTM B209, Alloy 6061-T651

\*To fit O.D. of Chord with maximum gap of 1/16".

NUMBER	REVISION	DATE

DESIGNED - JSS	20
CHECKED - RDP	EXAMINED
DRAWN - JSS	PASSED
CHECKED - RDP	ENGINEER OF BRIDGES AND STRUCTURES

OS4-A-2

1-7-05

OVERHEAD SIGN STRUCTURES  
ALUMINUM TRUSS DETAILS  
FOR TRUSS TYPES I-A, II-A and III-A

F.A.I. 90/94 (DAN RYAN EXPRESSWAY)  
GARFIELD BLVD TO 31ST STREET (NB LOCAL LANES)  
PROPOSED IMPROVEMENT  
GARFIELD BLVD TO 31ST STREET

SGN-14

6/7/2006 11:28:50 AM