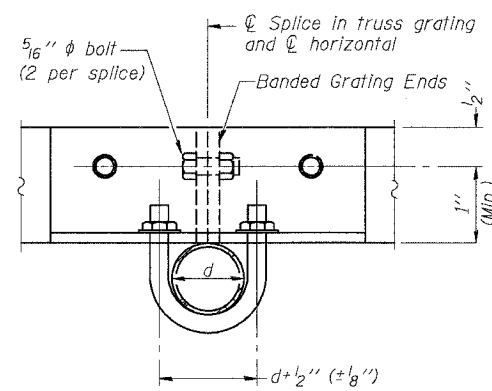
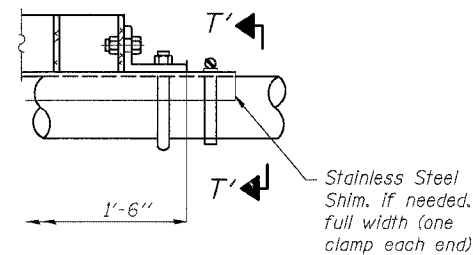
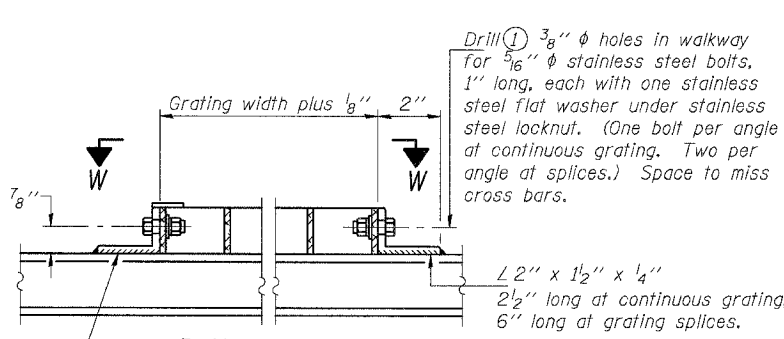
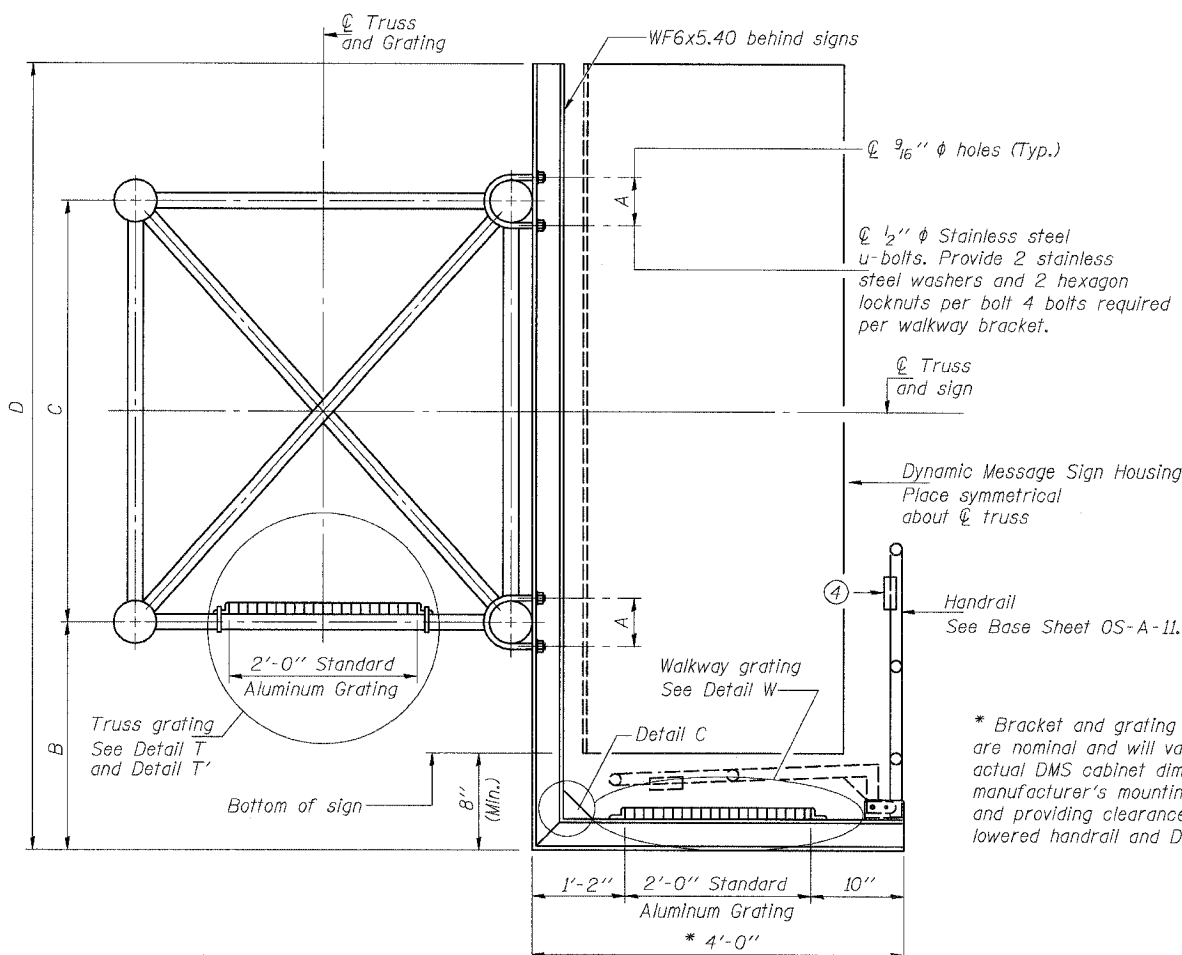


STATE OF ILLINOIS
DEPARTMENT OF TRANSPORTATION

ROUTE NO.	COUNTY	JOIN. SHEETS	SHEET NO.
94/90	COOK	565	268
FED. ROAD DIST. NO. 1	ILLINOIS	FED. AID PROJECT-	

* 62301 (2021-922 PT2 ETC 2324.6-1P) R-10

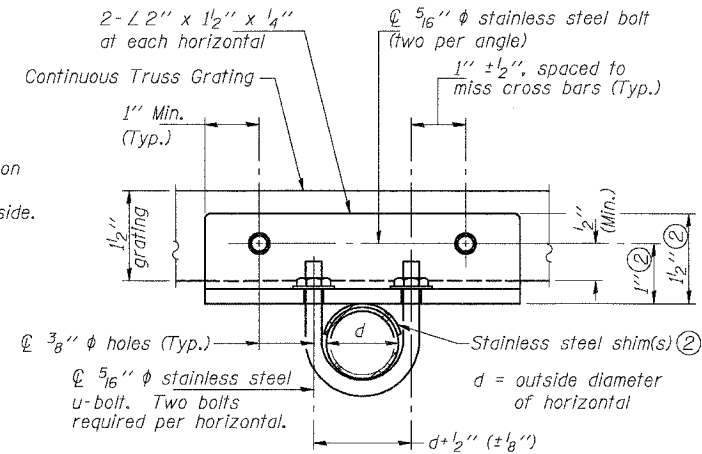
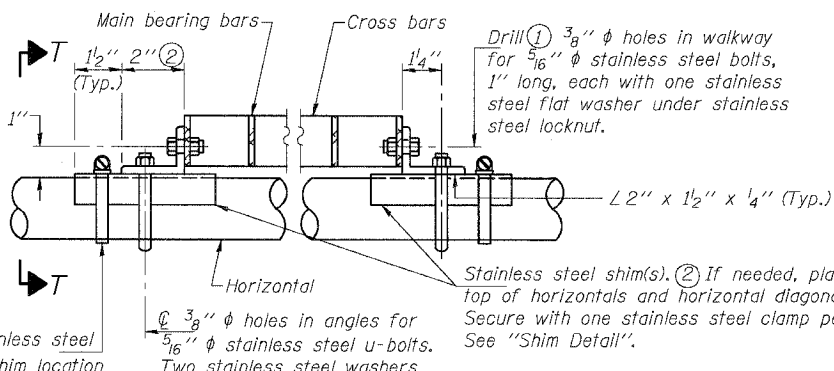


DETAIL W
(Walkway grating)

DETAIL T'

(Truss grating splice)
Details not shown same as Detail T.
Alternate materials may be used subject to the Engineer's review and approval.

SECTION T'-T'



DETAIL T
(Continuous Truss grating)

SECTION T-T

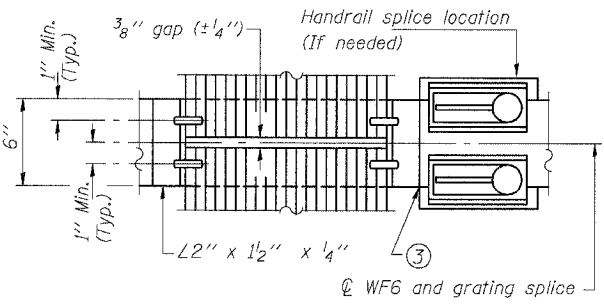
SPECIFICATIONS FOR STANDARD ALUMINUM GRATING

Main Bearing Bars shall be 3/16" x 1/2" on 1 3/16" centers and conform to ASTM B211 Alloy 6061-T6.
Cross bars shall be 3/16" x 1/2" on 4" centers and conform to ASTM B221 Alloy 6063-T5 or 6061-T6.

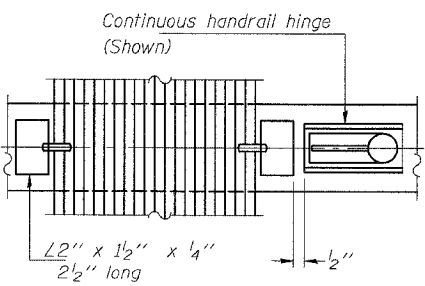
OR

Aluminum Grating with modified "H" sections for main bearing bars shall meet the following requirements:
Main bars shall conform to ASTM B221 Alloy 6061-T6 and have a minimum section modulus equal to 0.0705 in.³ per bar, a depth of 1 1/2", spaced on 1 3/16" centers.
Cross bars shall conform to ASTM B221 Alloy 6063-T5 or T-42 and spaced on 4" centers.

SECTION B-B

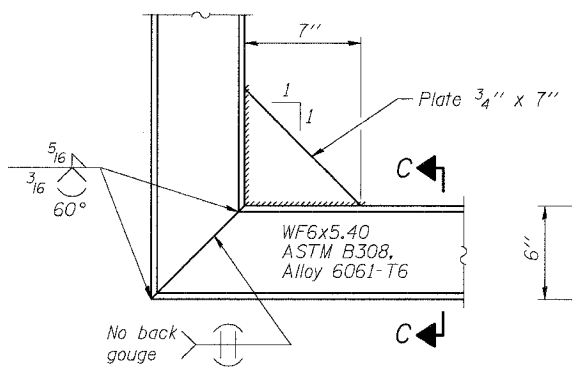
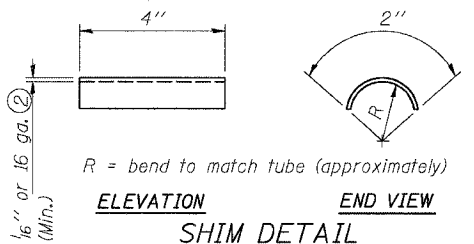


(AT WALKWAY GRATING SPLICE)



(CONTINUOUS WALKWAY GRATING)

SECTION W-W



DETAIL C

(See Detail P, Base Sheet OS-A-11-DMS2.)

SECTION C-C

DESIGNED	- JSS
CHECKED	- MJP
DRAWN	- JSS
CHECKED	- MJP

EXAMINED	20
PASSED	

NUMBER	REVISION	DATE

Structure Number	Station	A	B	C	D
ISO16T094L055.41	4599+00	7 1/2"	2'-0"	7'-0"	9'-9"

OVERHEAD SIGN STRUCTURES
ALTERNATE ALUMINUM WALKWAY DETAILS

ILLINOIS DEPARTMENT OF TRANSPORTATION
F.A.I. 94/90 (DAN RYAN EXPRESSWAY)
GARFIELD BLVD TO 31ST STREET (NB LOCAL LANES)
OVERHEAD SIGN STRUCTURES
(SPAN)

6/7/2006 1:50:52 PM