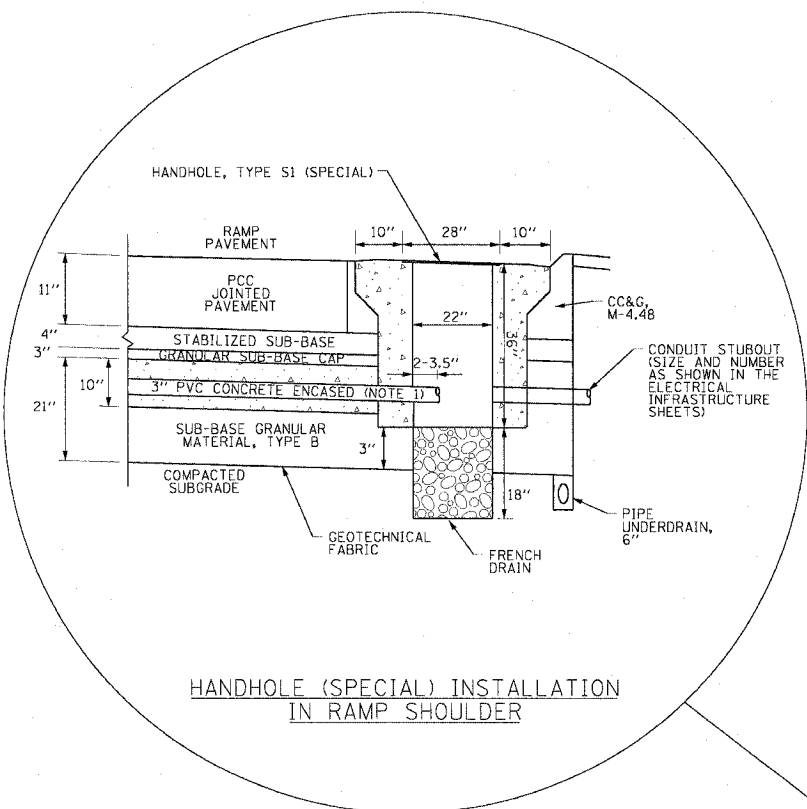
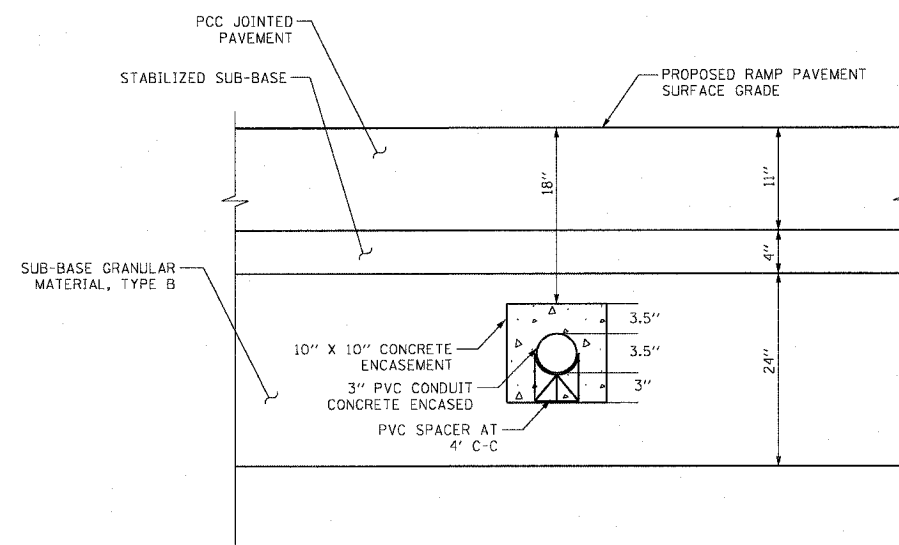


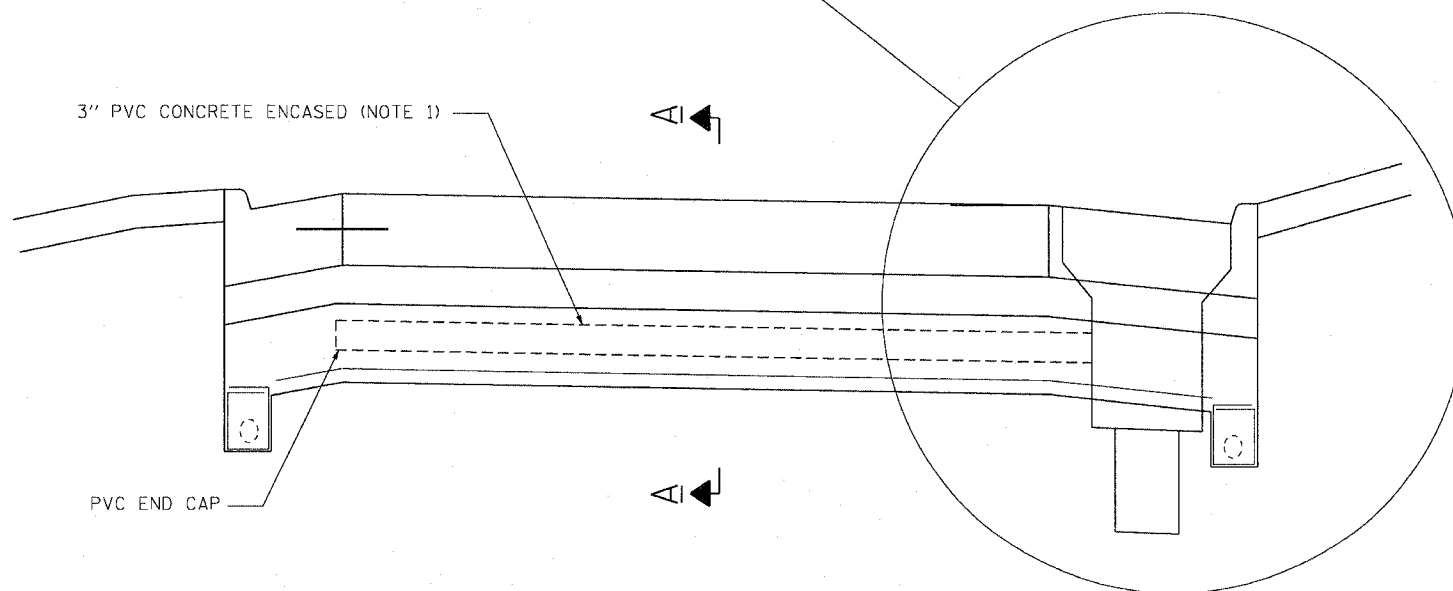
F.A.I. RTE.	SECTION	COUNTY	TOTAL SHEETS	SHEET NO.
90/94		COOK	565	322
STA.	TO STA.			
FED. ROAD DIST. NO. 1 ILLINOIS FED. AID PROJECT				
62301 • (2021-922 PT2 ETC 2324.6-1P) R-10				



HANDHOLE (SPECIAL) INSTALLATION IN RAMP SHOULDER



TYPICAL DETECTOR CONDUIT INSTALLATION IN RAMP PAVEMENT: SECTION A-A



TYPICAL RAMP DETECTOR INSTALLATION

NOTES

- 3" PVC CONCRETE ENCASED CONDUIT IS REQUIRED ONLY WHERE SHOWN ON THE PLAN DRAWINGS. WHEN INSTALLED, THE CONDUIT MUST MAINTAIN THE SAME ANGLE AS THE PAVEMENT THROUGHOUT ITS ENTIRE LENGTH. CONTRACTOR MUST VERIFY THE DETECTOR CONDUIT STRAIGHTNESS ACCORDING TO THE CONTRACT SPECIFICATIONS BEFORE THE CONCRETE ENCASEMENT IS INSTALLED.
- FOR HANDHOLE DETAIL SEE SHEET EI-104.
- WHEN INSTALLING CONDUIT NEAR OR THROUGH UNDERDRAIN GEOTECHNICAL FABRIC, THE CONTRACTOR SHALL MAINTAIN THE INTEGRITY AND UNIFORMITY OF THE UNDERDRAIN FABRIC THROUGH OVERLAP TO THE SATISFACTION OF THE ENGINEER.

CTE | AECOM

REVISIONS	
NAME	DATE

ILLINOIS DEPARTMENT OF TRANSPORTATION  
F.A.I. 90/94 (DAN RYAN EXPRESSWAY)  
GARFIELD BLVD TO 31ST STREET (NB LOCAL LANES)  
TYPICAL RAMP DETECTOR  
INSTALLATION DETAIL

SCALE: NOT TO SCALE  
DATE: June 9, 2006  
DRAWN BY: HAR  
CHECKED BY: JPC

EI-111

10:50:43 AM 06/07/2006