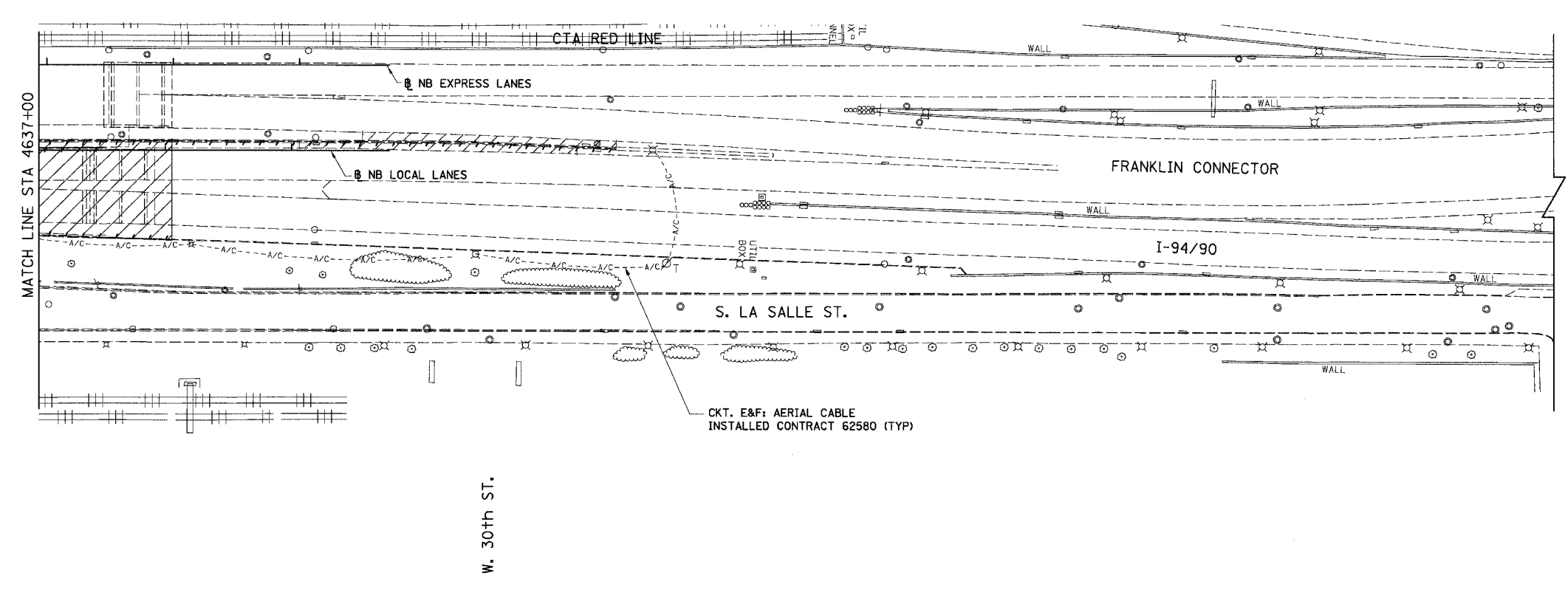
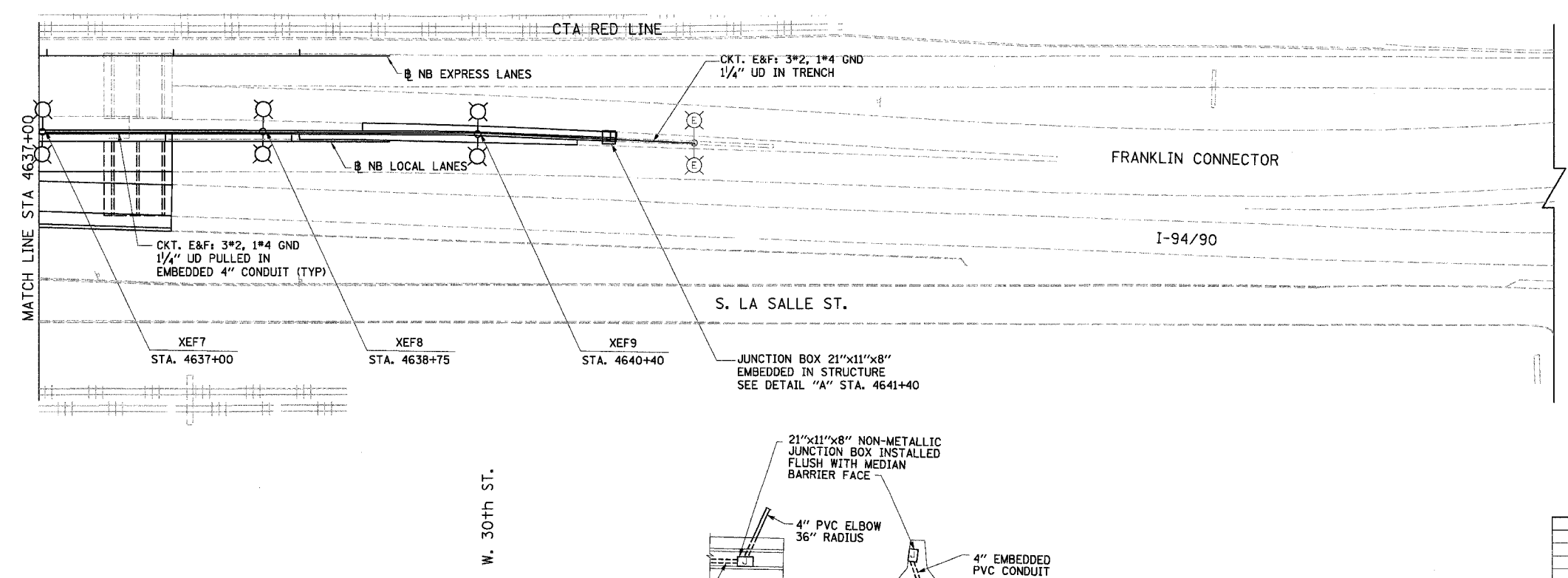


F.A.I. RTE.	SECTION	COUNTY	TOTAL SHEETS	SHEET NO.
94/90	*	COOK	565	329
STA.	TO STA.		FED. ROAD DIST. NO. 1 ILLINOIS FED. AID PROJECT	
62301	*1818, ETC, 2324.6-1P/R-10			

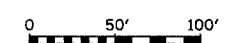
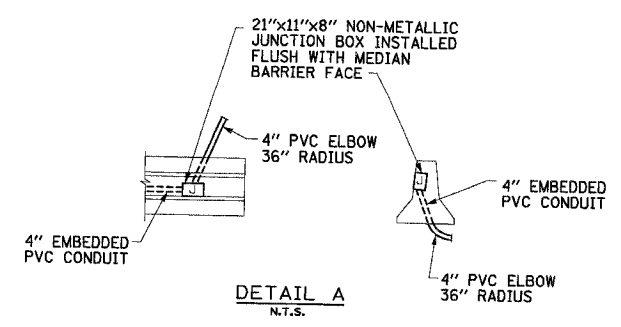


- NOTES:**
- TEMPORARY AERIAL CABLE, JUNCTION BOXES AND WOOD POLES SHALL BE REMOVED WHEN PROPOSED MEDIAN LIGHTING IS INSTALLED AND OPERATIONAL.
 - EQUIPMENT TO BE REMOVED SHALL BE CONFIRMED BASED ON EQUIPMENT ACTUALLY INSTALLED CONTRACT 62580.

EXISTING CONDITIONS AND REMOVAL
PROPOSED IMPROVEMENTS



- NOTE:**
- EXISTING LIGHTING UNITS REMOVED BY CONTRACT 62580 SHALL BE RE-INSTALLED ON THE PROPOSED MEDIAN WALL. THIS WORK SHALL BE PAID LIGHT POLE, ALUMINUM, INSTALL ONLY.



REVISIONS	
NAME	DATE

KAM ENGINEERING, INC.
CONSULTING ENGINEERS
707A Davis Road, Suite 205
Elgin, Illinois 60123-1569

ILLINOIS DEPARTMENT OF TRANSPORTATION
F.A.I. 94/90 (DAN RYAN EXPRESSWAY)
GARFIELD BLVD TO 31ST STREET (NB LOCAL LANES)
EXISTING AND PROPOSED LIGHTING PLANS

SCALE: 1"=50'
DATE: 06/09/06

DRAWN BY: BL
CHECKED BY: SM

6/7/2006 10:53:38 PM