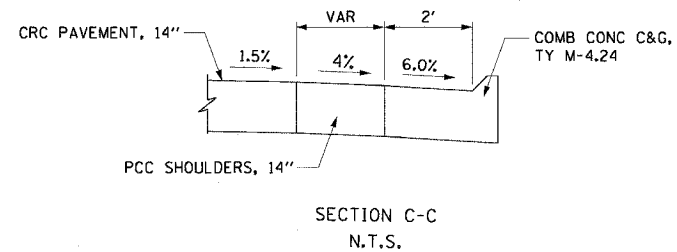
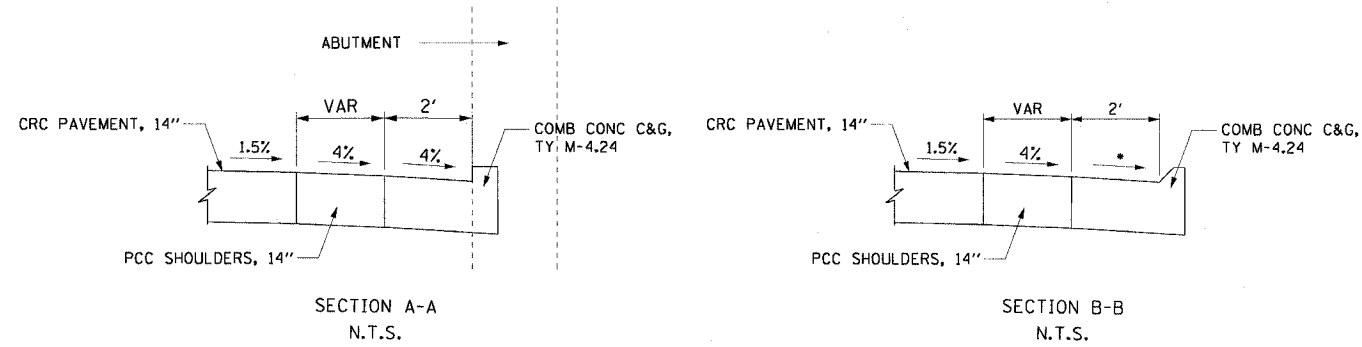
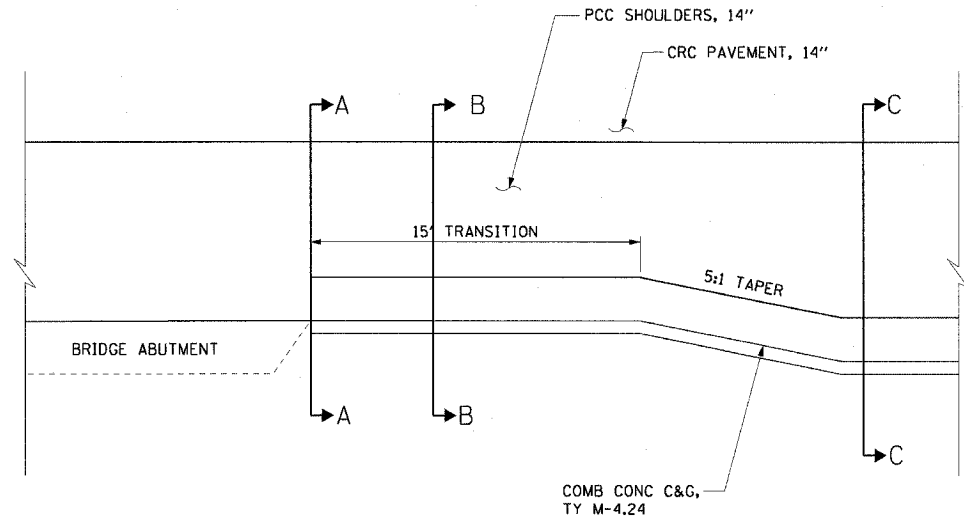


F.A.I. RTE.	SECTION	COUNTY	TOTAL SHEETS	SHEET NO.
90/94	*	COOK	565	335
STA.	TO STA.			
FED. ROAD DIST. NO. 1	ILLINOIS	FED. AID PROJECT		
62301	* (2021-922 PT2 ETC 2324.6-1P) R-10			

COMB CONC C&G, TY M-4.24 TRANSITION TO BRIDGE ABUTMENT
N.T.S.

STA 4476+70.62
STA 4502+70.87

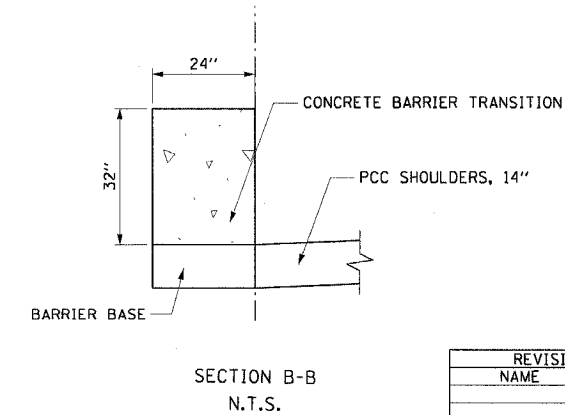
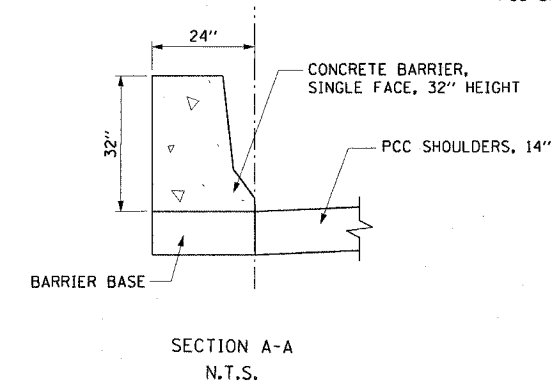
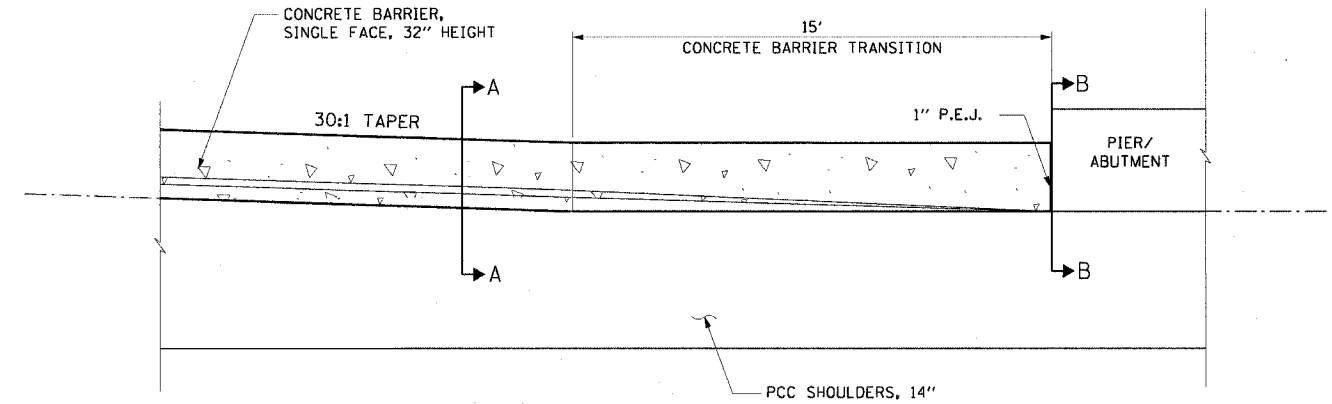


LEGEND:
• TRANSITION FROM 4% TO 6%

NOTE:
THE TRANSITION SECTION SHALL BE PAID FOR AS COMB CONC C&G, TY M-4.24.

SINGLE FACE CONCRETE BARRIER TRANSITION TO PIER/ABUTMENT
N.T.S.

STA 4501+75.94 RT
STA 4528+64.03 RT
STA 4576+47.48 RT
STA 4583+26.09 RT
STA 4622+22.22 RT
STA 4622+94.11 RT



- NOTES:
1. THE 1" PREFORMED EXPANSION JOINT SHALL BE INCLUDED IN THE COST OF CONCRETE BARRIER TRANSITION.
 2. SEE RDT-3 FOR CONCRETE BARRIER, SINGLE FACE, 32" HEIGHT DETAILS.

REVISIONS	
NAME	DATE

RDT-5
ILLINOIS DEPARTMENT OF TRANSPORTATION
F.A.I. 90/94 (DAN RYAN EXPRESSWAY)
GARFIELD BLVD TO 31ST STREET (NB LOCAL LANES)
ROADWAY DETAILS
COMB CONC C&G TRANSITION TO ABUTMENT
SINGLE FACE CONCRETE BARRIER TRANSITION
SCALE: NONE
DATE: June 9, 2006
DRAWN BY: NJH
CHECKED BY: RMG

I:\Projects\90-94\Drawings\Roadway\Details\RD0523a.dwg