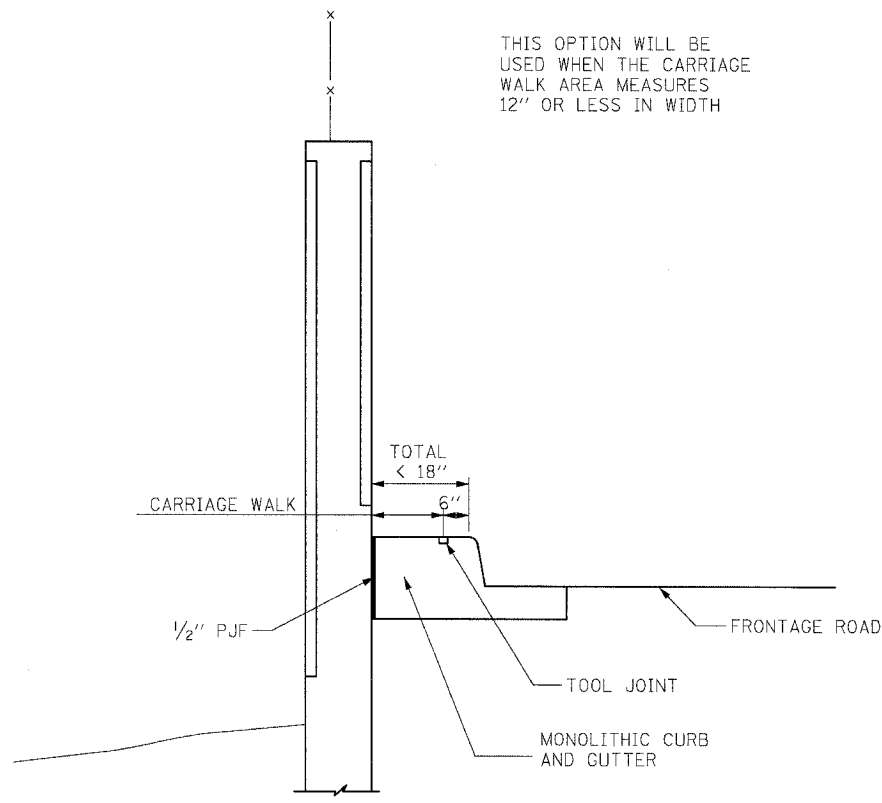
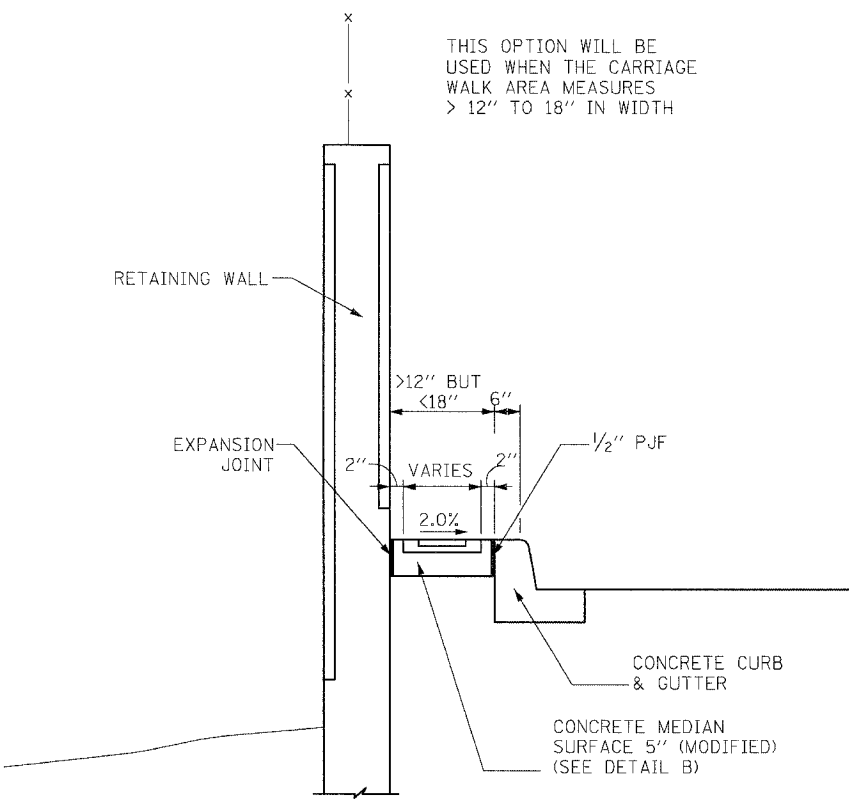


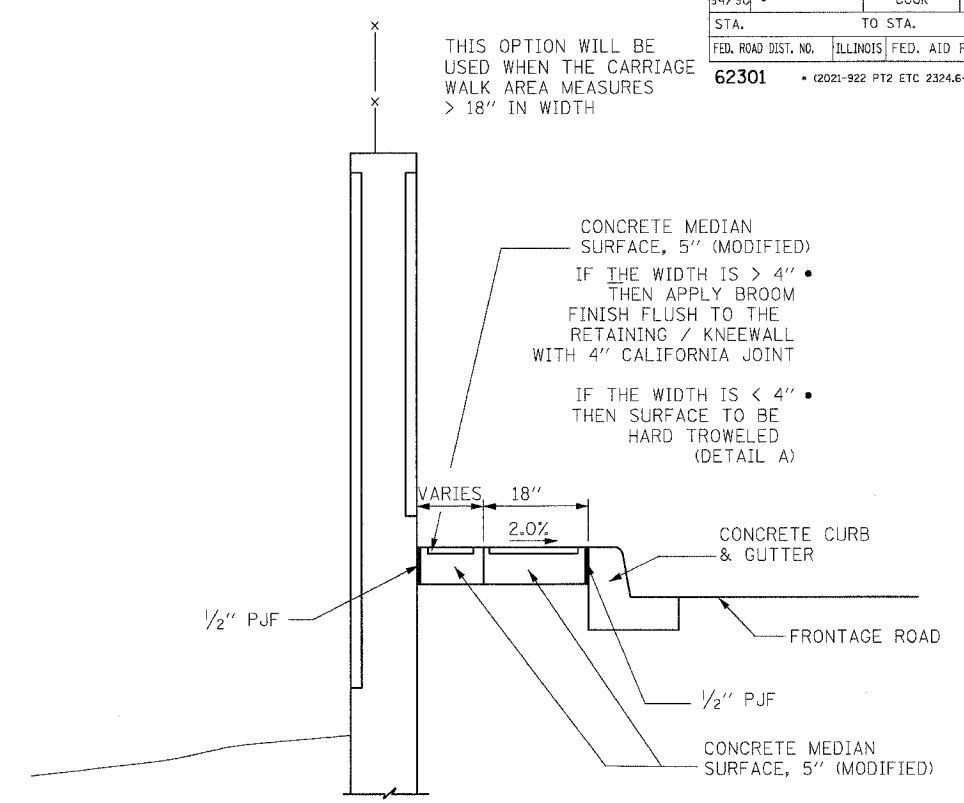
F.A.I.	SECTION	COUNTY	TOTAL SHEETS	SHEET NO.
94/90		COOK	565	348
STA.	TO STA.			
FED. ROAD DIST. NO.	ILLINOIS	FED. AID PROJECT		
62301	• (2021-922 PT2 ETC 2324.6-1PI) R-10			



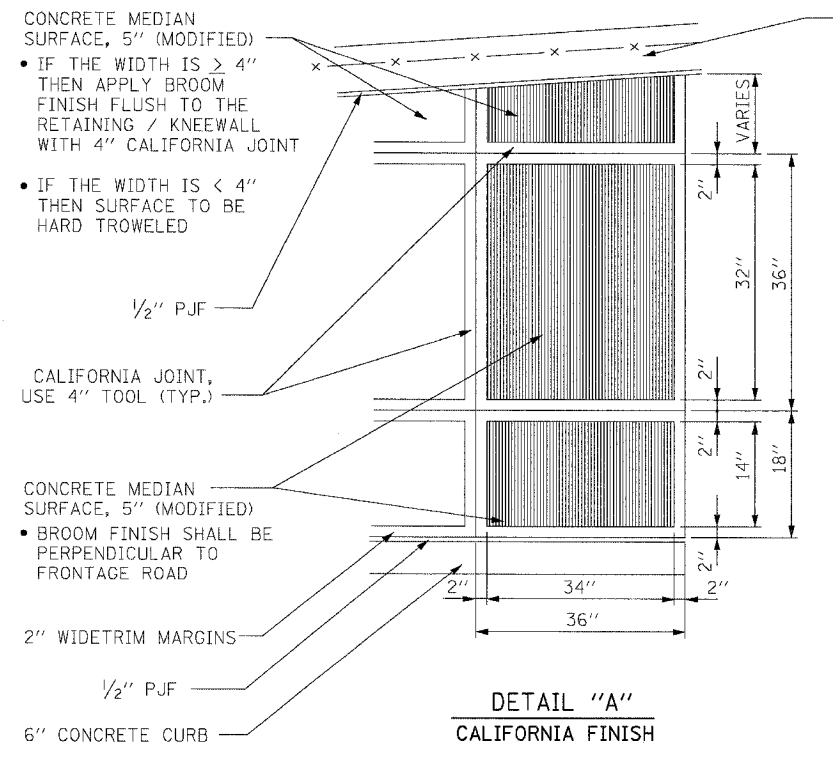
**CARRIAGE WALK**  
AREA < 12"



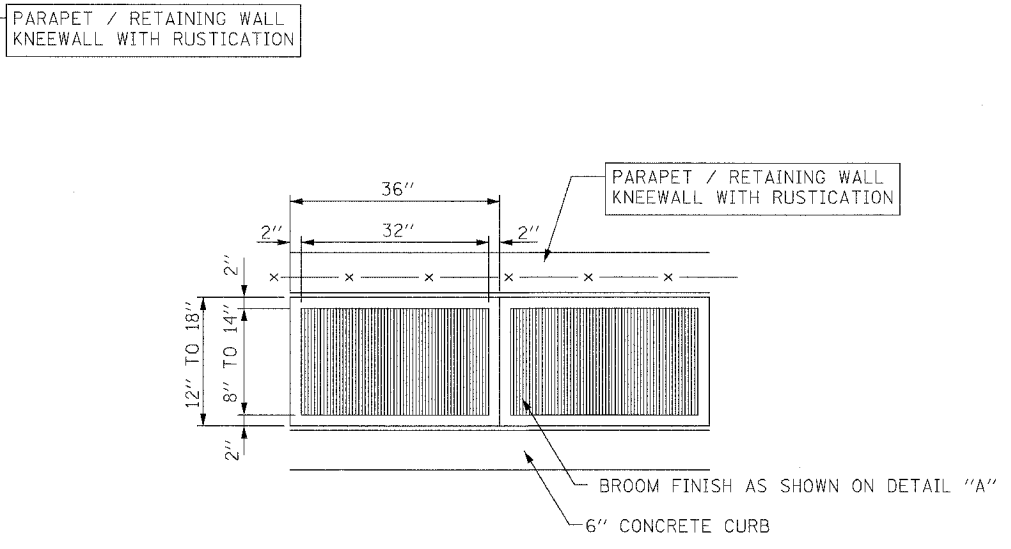
**CARRIAGE WALK**  
AREA > 12" TO 18"



**CARRIAGE WALK**  
AREA > 18"



**DETAIL "A"**  
CALIFORNIA FINISH



**DETAIL "B"**  
CALIFORNIA FINISH

BOWMAN, BARRETT & ASSOCIATES INC.  
CONSULTING ENGINEERS  
Chicago, Illinois  
312.228.0100  
www.bbainc.com

REVISIONS	
NAME	DATE

ILLINOIS DEPARTMENT OF TRANSPORTATION  
F.A.I. 94/90 (DAN RYAN EXPRESSWAY)  
GARFIELD BLVD TO 31ST STREET (NB LOCAL LANES)  
ROADWAY DETAILS  
CONCRETE MEDIAN SURFACE 5"  
(MODIFIED) CALIFORNIA FINISH  
SCALE: NONE  
DATE: 06/09/06  
DRAWN BY: CTE  
CHECKED BY: JDC

6/7/2006 10:37 PM