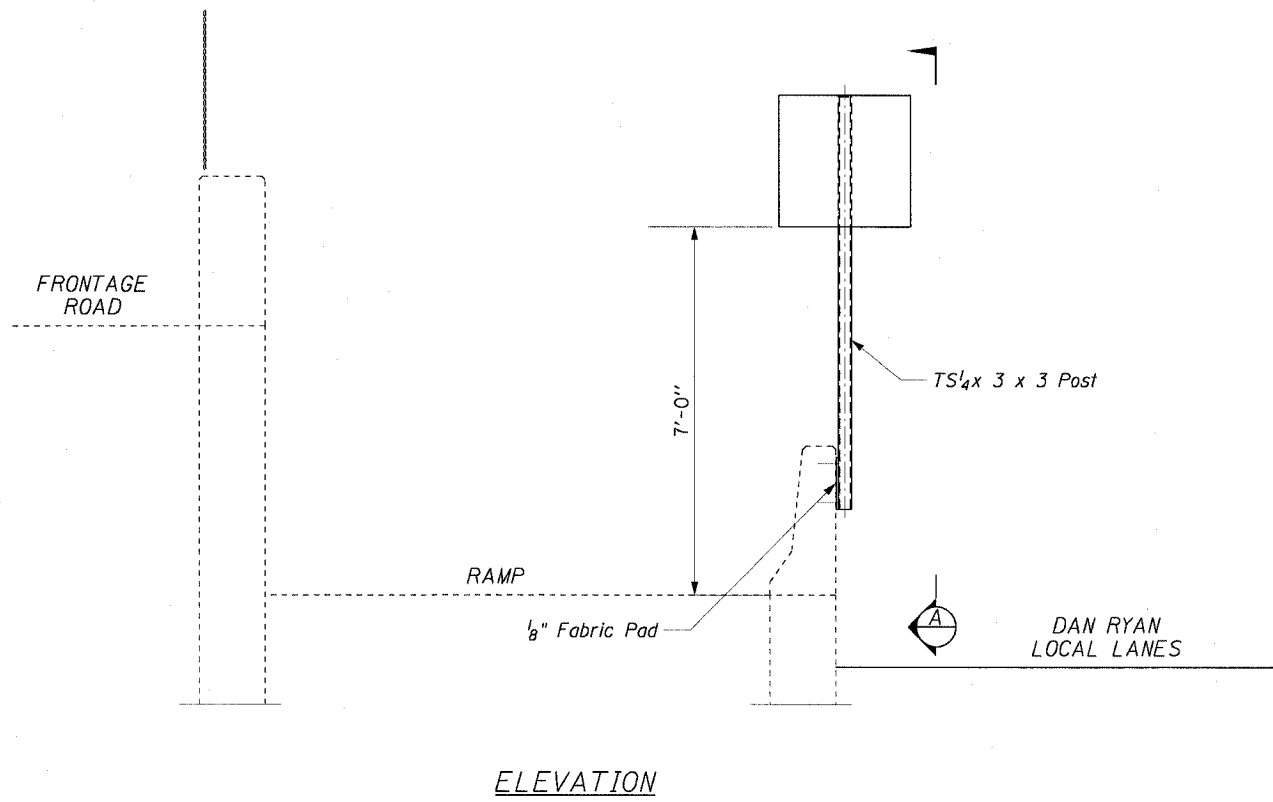
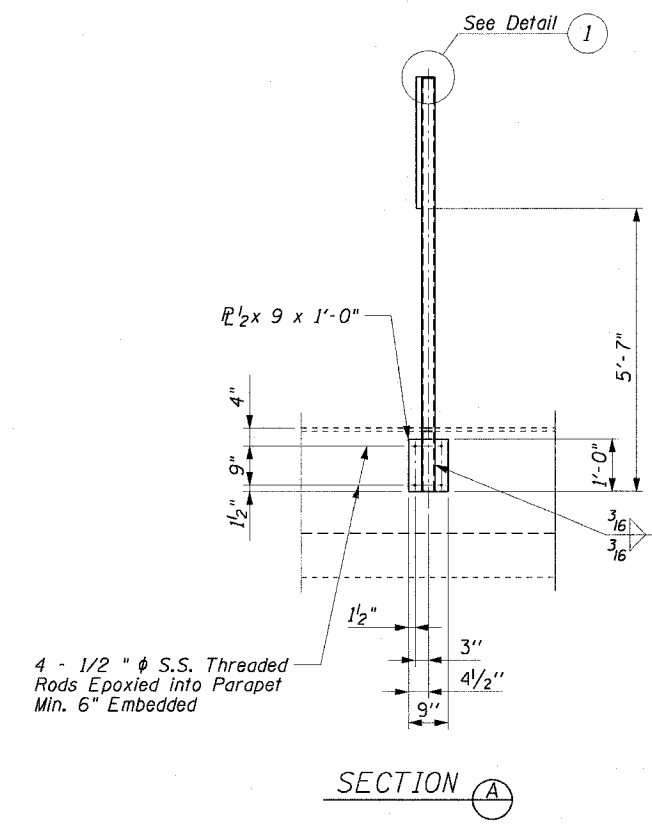


F.A.I. RTE.	SECTION	COUNTY	TOTAL SHEETS	SHEET NO.
90/94		COOK	565	351
STA.	TO STA.			
FED. ROAD DIST. NO. 1 ILLINOIS FED. AID PROJECT				
62301 • (2021-922 PT2 ETC 2324.6-1P) R-10				

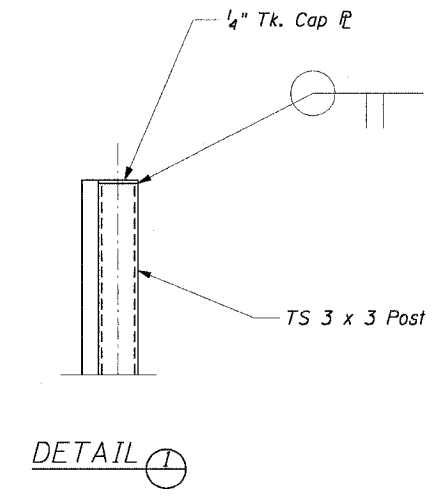
EXISTING BARRIER WALL SIGN POST MOUNTING DETAILS



ELEVATION



SECTION A



DETAIL 1

4 - 1/2"  $\phi$  S.S. Threaded Rods Epoxied into Parapet Min. 6" Embedded

NOTE

When drilling and epoxy grouting the anchor rods, the Contractor shall use the capsule or the adhesive cartridge type anchor rods that have been previously tested and given a prior approval by IDOT. The Contractor shall install these anchor rods in pre-drilled holes according to the manufacturer's recommendations and procedures. The capsule or the adhesive cartridge shall be sealed with pre-measured amounts of the adhesive chemical. This associated materials and work performed shall be included in the cost of Base For Telescoping Steel Sign Support.

CTE | AECOM

REVISIONS	
NAME	DATE

ILLINOIS DEPARTMENT OF TRANSPORTATION  
 F.A.I. 90/94 (DAN RYAN EXPRESSWAY)  
 GARFIELD BLVD TO 31ST STREET (NB LOCAL LANES)

**ROADWAY DETAILS  
 EXISTING BARRIER WALL  
 SIGN POST MOUNTING DETAILS**

SCALE: NONE  
 DATE: June 9, 2006

DRAWN BY: DS  
 CHECKED BY: SWANG

RDT-19

6/7/2006 1:47:35 PM P:\p040468\01\118-cntrs 18 & 19\st\cont 18\roadway details\mcb0192a.rvt