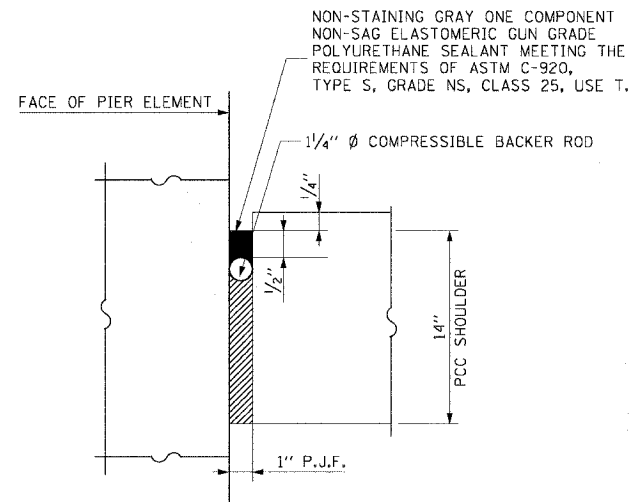


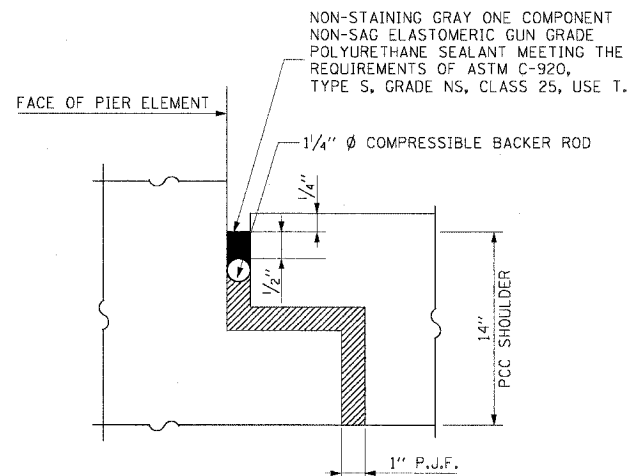
LOCATION	PIER	T/FOOTING EL	FOOTING THICKNESS "a" (FT)	TOE WIDTH "b" (FT)	T/SHOULDER EL	
					MAX	MIN
55TH ST (NORTH BRIDGE)	4	-3.00	2.00	2.50	-0.17	-1.52
	E. ABUT.	-2.67	2.00	3.50	-0.51	-1.28
51ST ST	4	-4.13	2.50	2.50	-1.23	-2.61
	E. ABUT.	-4.54	2.50	2.50	-1.44	-2.28
47TH ST	4	-8.62	2.00	3.25	-4.87	-5.36
	E. ABUT.	-10.02	2.50	3.00	-7.97	-8.84

PAVEMENT DETAIL AT BRIDGES



DETAIL A

COST OF P.J.F., BACKER ROD AND SEALANT INCLUDED WITH PCC SHOULDER



DETAIL B

COST OF P.J.F., BACKER ROD AND SEALANT INCLUDED WITH PCC SHOULDER

LEGEND:

- STABILIZED SUB-BASE 6"
- SUB-BASE GRANULAR MATERIAL, TY B 24"

NOTES:

1. SEE TYPICAL SECTIONS FOR COMPOSITION OF EXISTING AND PROPOSED PAVEMENT.
2. ALL VIEWS LOOKING NORTH.
3. CONTRACTOR SHALL USE CAUTION DURING PAVEMENT REMOVAL AND EXCAVATION OPERATIONS AROUND EXISTING OVERHEAD BRIDGE FOUNDATION.
4. PROVIDE 10 MIL POLYETHYLENE BOND BRAKER AND POUR SHOULDER PAVEMENT DIRECTLY ON PIER FOOTING.
5. SEE DRAINAGE AND UTILITY SHEETS FOR LOCATION OF PIPE UNDERDRAINS 6".
6. SEE DETAIL B WHEN PCC SHOULDER IS LOCATED WITHIN THE FOOTING.
7. THE ADDITIONAL DEPTH OF AGGREGATE SUBGRADE UNDER THE SHOULDER SHALL BE INCLUDED IN THE COST OF SUB-BASE GRANULAR MATERIAL, TY B, 24".

REVISIONS	
NAME	DATE