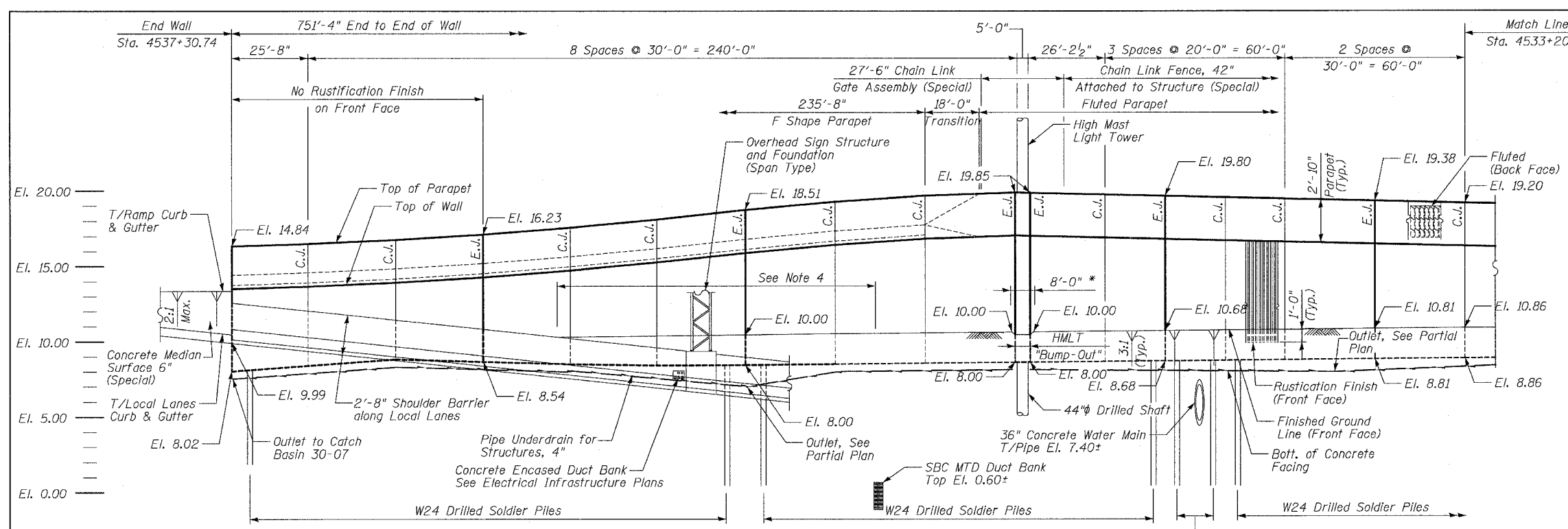
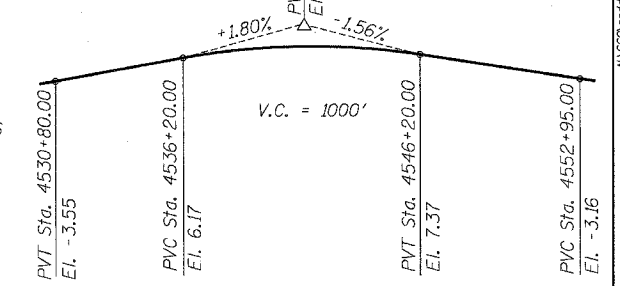


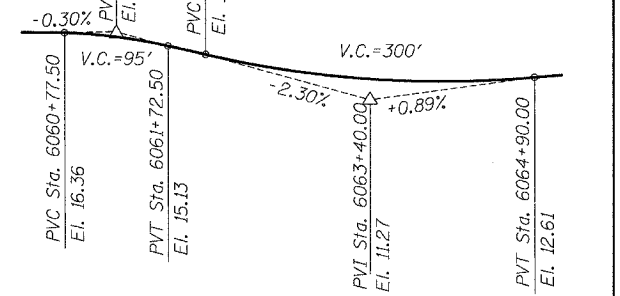
F.A.I.	SECTION	COUNTY	TOTAL SHEETS	SHEET NO.
94/90		COOK	565	374
STA.		TO STA.		
62301		•(2021-922 PT2 ETC 2324.6-1P) R-10		
FED. ROAD DIST. NO.	ILLINOIS	FED. AID PROJECT		



**PARTIAL FRONT FACE ELEVATION**  
 (LOOKING FROM NB LOCAL LANES) \* No Rustication finish on Front Face  
 EJ - Denotes Expansion Joint  
 CJ - Denotes Construction Joint

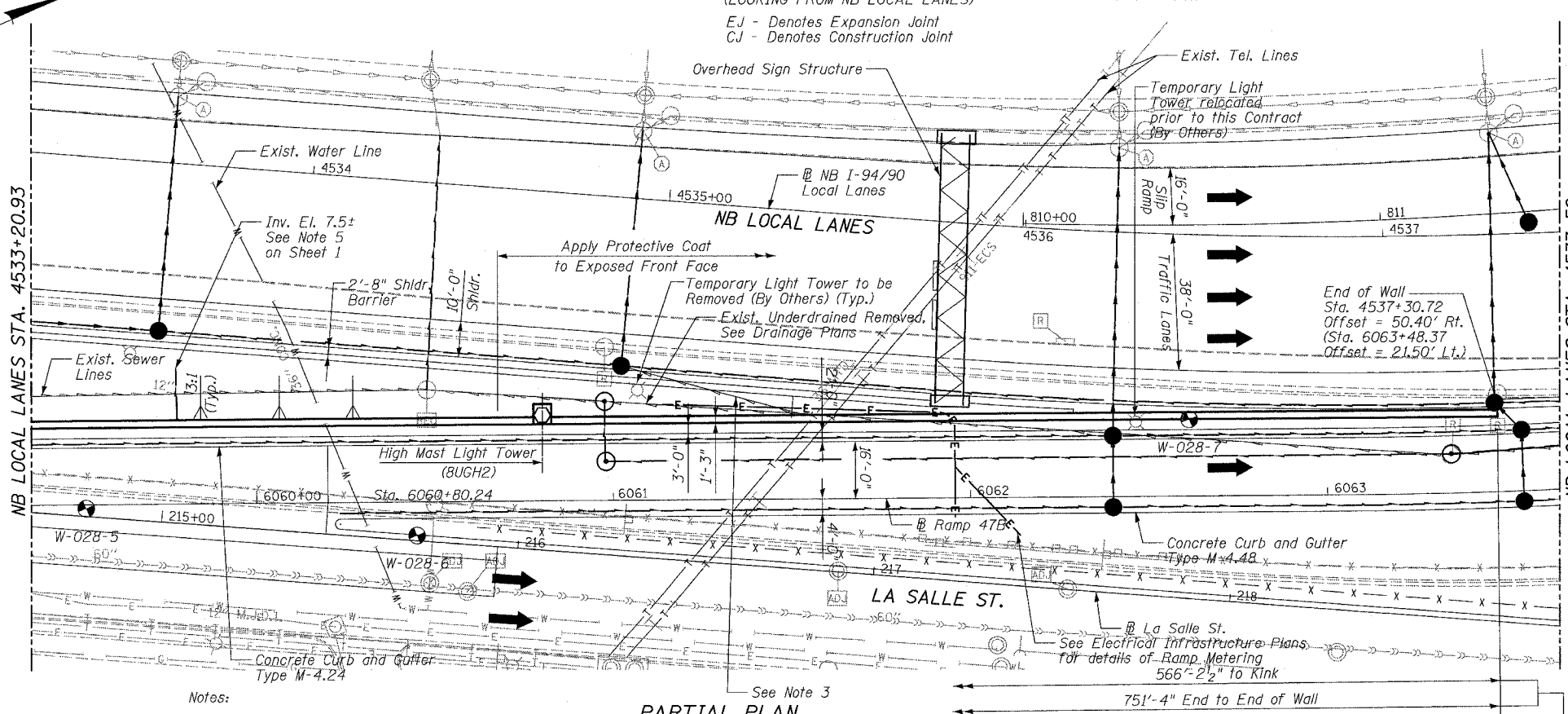


**PROFILE GRADE LINE**  
 Along NB Local Lanes



**PROFILE GRADE LINE**  
 Along Ramp 47B

**BASELINE ELEVATIONS**  
 At La Salle St.



**PARTIAL PLAN**  
 Measured along Front Face of Wall

- LEGEND**
- - Soil Boring Location
  - - High Mast Lighting (Wall Mounted)
  - - Proposed Drainage Structure
  - - Proposed Underdrain
  - - Proposed Storm Sewer
  - E-E- - Proposed Electrical Line

- Notes:**
- See Sheets 10 & 11 for HMLT foundation on this wall.
  - Take notice of existing utilities. See Drainage and Utility Plans and Special Provisions for Status of Utilities to be Adjusted. Piles have been spaced to avoid utilities based upon best available information. Contractor shall verify utility locations, as directed by Engineer, before drilled shaft construction. Cost of verifying utility locations is included with Drilling and Setting Soldier Piles (in Soil).
  - Connect underdrain to Catch Basin at Inv. El. 0.0. Cost included with Pipe Underdrains for Structures, 4".
  - Concrete Median Surface 6" (Special) between front face of wall and back of shoulder barrier, see Roadway Plans for details. Worp paving as required to drain and fit around OHSS foundation.

**BOWMAN, BARRETT & ASSOCIATES INC.**  
 CONSULTING ENGINEERS  
 Chicago, Illinois  
 312.228.0100  
 www.bbandainc.com

REVISIONS	
NAME	DATE
REVISOR	06/23/06
REVISOR	07/13/06

ILLINOIS DEPARTMENT OF TRANSPORTATION  
 F.A.I. 94/90 (DAN RYAN EXPRESSWAY)  
 GARFIELD BLVD TO 31ST STREET (NB LOCAL LANES)  
 COOK COUNTY  
 STA. 4529+75.90 TO STA. 4537+30.74  
 RETAINING WALL N-47N-R  
 GENERAL PLAN AND ELEVATION 2  
 S.N. 016-W977

SCALE: NTS  
 DATE: JUNE 9, 2006  
 DRAWN BY: MTR  
 CHECKED BY: BLU

7/13/2006 4:57:33 PM