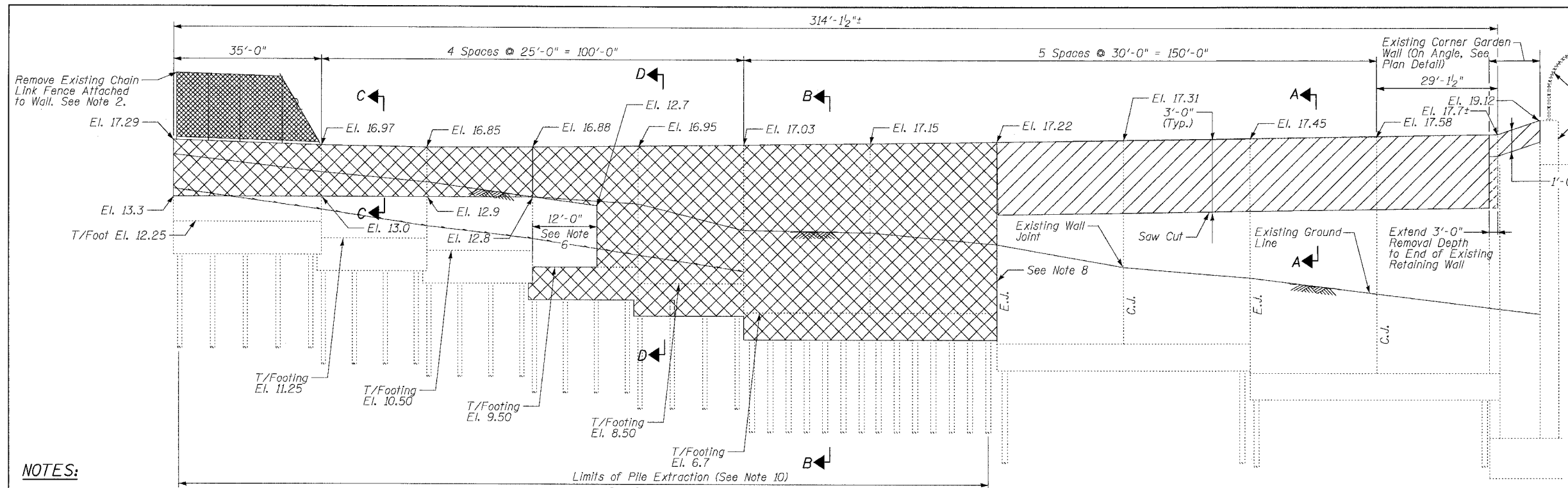


F.A.I.	SECTION	COUNTY	TOTAL SHEETS	SHEET NO.
94/90		COOK	565	375
STA.	TO STA.			
FED. ROAD DIST. NO.	ILLINOIS	FED. AID PROJECT		
62301	*(2021-922 PT2 ETC 2324.6-1P) R-10			



**LEGEND**

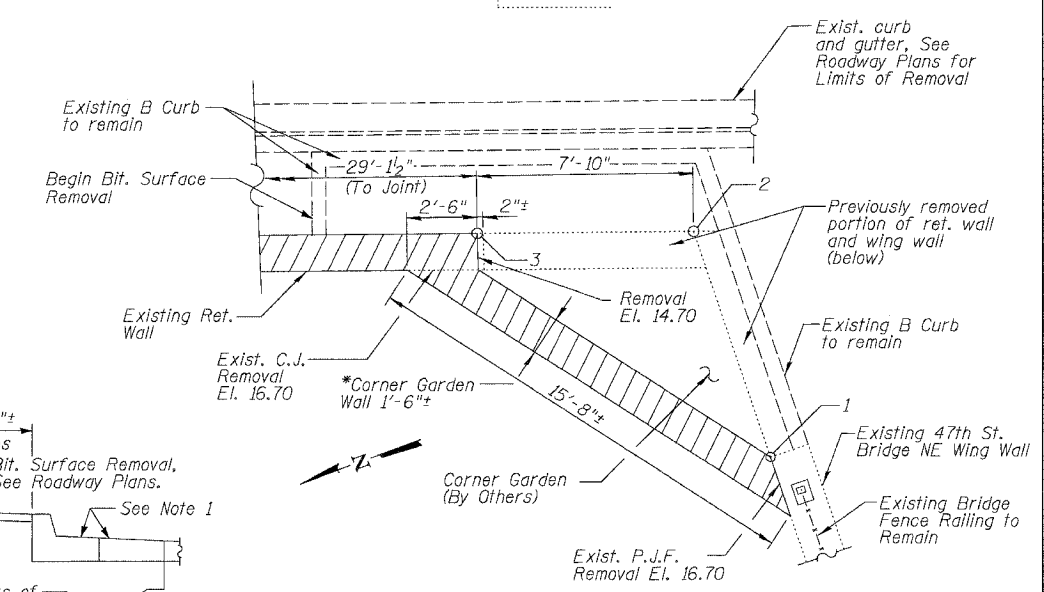
- Concrete Removal

- Removal of Existing Structures

**NOTES:**

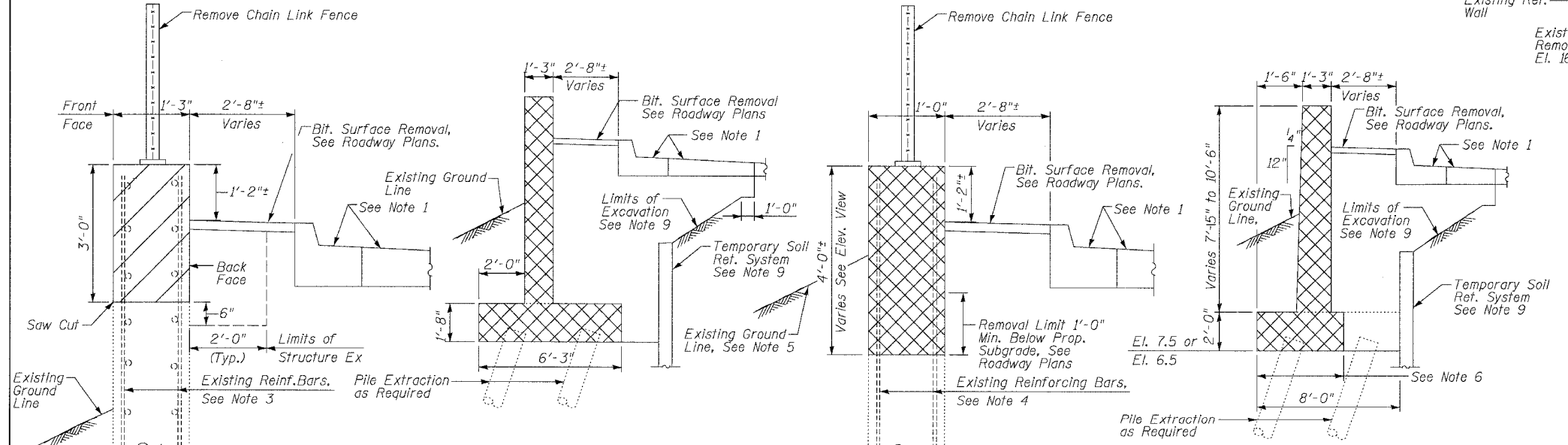
- See Roadway Plans for Curb and Gutter and Pavement Removal and Replacement Limits.
- Cost of Chain Link Fence Removal Included with Removal of Existing Structures or Concrete Removal as appropriate.
- Existing vertical reinforcement bars shall be cleaned, straightened, and incorporated into new construction. Horizontal reinforcement bars shall be removed. Cost included with "Concrete Removal."
- Existing vertical reinforcement can be cut-off at removal line.
- See Roadway Plans for payment of excavations, not included in structure excavation.
- Contractor only has to remove portion of existing stem and footing in conflict with proposed wall and pavement construction.
- No structure excavation paid over limits of Removal of Existing Structure.
- Contractor shall maintain existing wall underdrain to remain and cap end as necessary.
- See Sheet 8 for Temporary Soil Retention Details.
- Where existing stem and footing are not to be entirely removed, Contractor must still sufficiently remove piles marked for extraction.

**FRONT FACE ELEVATION - EXIST. RETAINING WALL**



**PLAN DETAIL - CORNER GARDEN**

See Offset Sketch for Point Designations on Sheet 8  
 \*Remove any fencing attached to Wall, cost included with Concrete Removal.



**SECTION A-A**  
(Looking North)

**SECTION B-B**  
(Looking North)

**SECTION C-C**  
(Looking North)

**SECTION D-D**  
(Looking North)

BOWMAN, BARRETT & ASSOCIATES INC.  
 CONSULTING ENGINEERS  
 Chicago, Illinois  
 312.228.0100  
 www.bbainc.com

REVISIONS	NAME	DATE

ILLINOIS DEPARTMENT OF TRANSPORTATION  
 F.A.I. 94/90 (DAN RYAN EXPRESSWAY)  
 GARFIELD BLVD TO 31ST STREET (NB LOCAL LANES)  
 COOK COUNTY  
 STA. 4529+75.90 TO STA. 4537+30.74  
 RETAINING WALL N-47N-R  
 REMOVAL PLAN & DETAILS  
 S.N. 016-W977

SCALE: NTS  
 DATE: JUNE 9, 2006

DRAWN BY: MTR  
 CHECKED BY: BLU

**BILL OF MATERIAL**

Item	Unit	Quantity
Removal of Existing Structures	Each	1
Concrete Removal	Cu. Yd.	18
Structure Excavation	Cu. Yd.	195
Pile Extraction	Each	20

6/7/2006 5:25PM