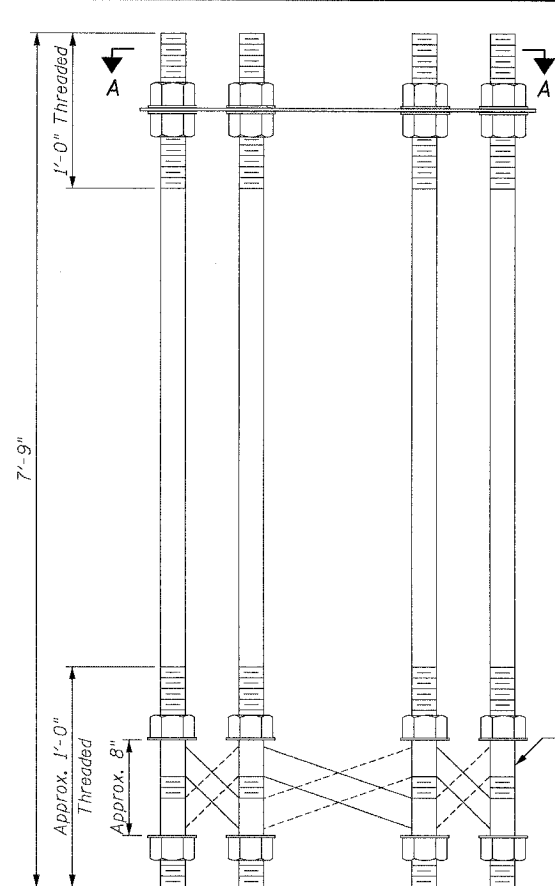
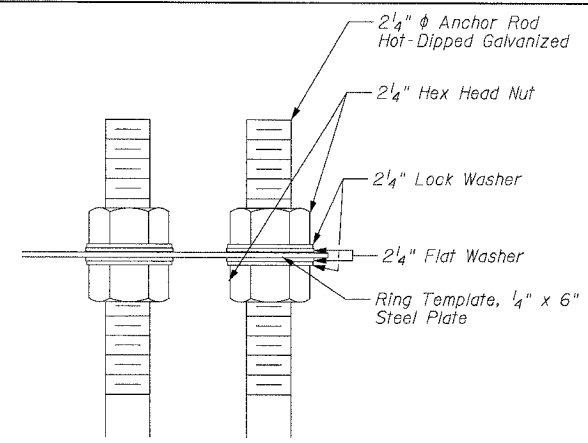


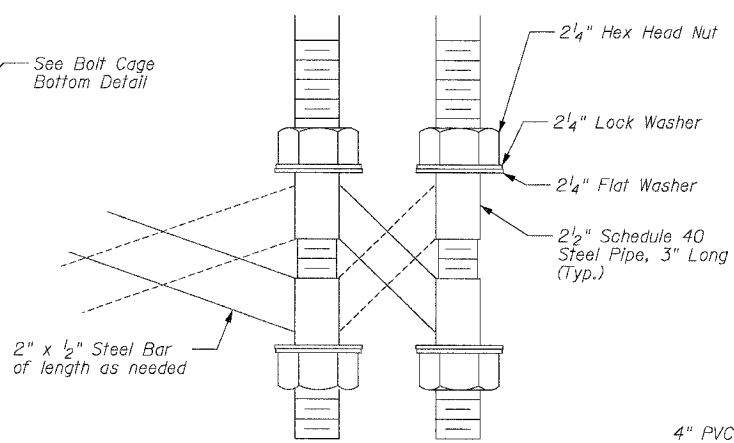
F.A.I.	SECTION	COUNTY	TOTAL SHEETS	SHEET NO.
94/90	*	COOK	565	383
STA.		TO STA.		
FED. ROAD DIST. NO.		ILLINOIS	FED. AID PROJECT	
62301 * (2021-922 PT2 ETC 2324.6-1P) R-10				



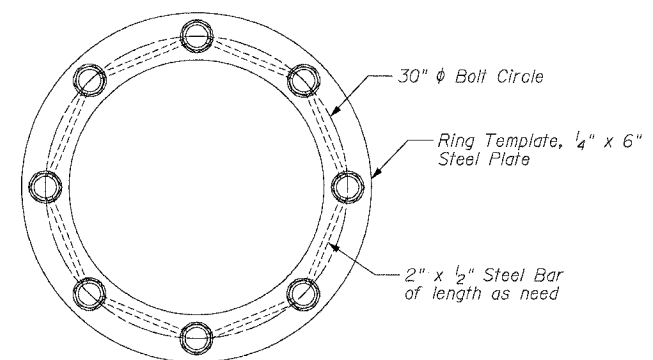
ANCHOR BOLT CAGE



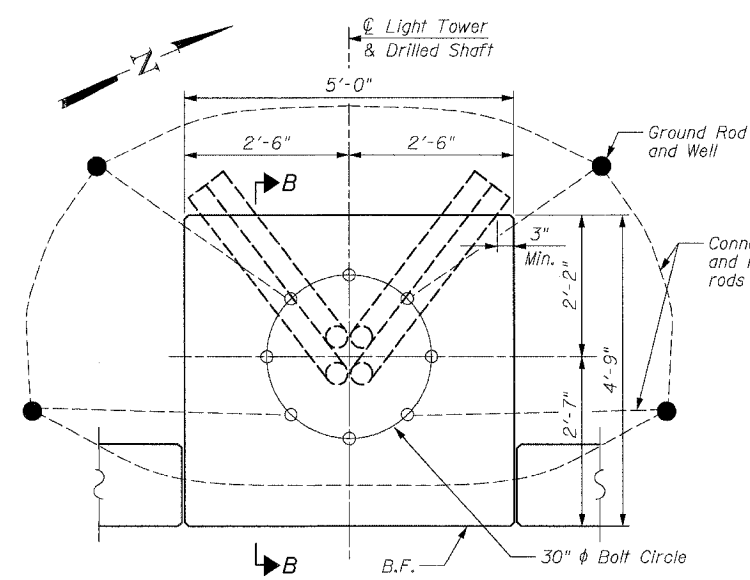
BOLT CAGE TOP



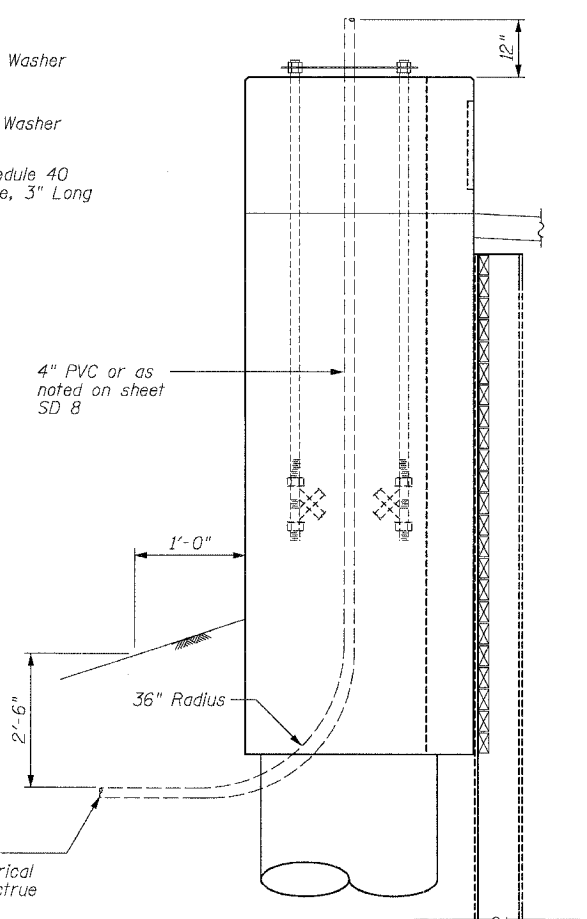
BOLT CAGE BOTTOM



SECTION A-A



PLAN - CONDUIT PLACEMENT
See Note 10



SECTION B-B

- Notes:
- Anchor Rods shall be straight and shall be according to AASHTO M 314 or ASTM F1554, Grade 105 and galvanized according to Article 1006.09.
 - Nuts shall be AASHTO M 291, Class S and washers shall be AASHTO M 293. All nuts and washers shall be hot-dipped galvanized in accordance with AASHTO M 232.
 - Steel Bar and Pipe shall be galvanized in accordance with AASHTO M 111.
 - Anchor Rod information shall be submitted for approval and shall be fully coordinated with tower manufacturer's requirements.
 - The Anchor Rods shall be vertical. No adjustment shall be allowed after the foundation is placed.
 - The gap between the foundation and the base plate shall be enclosed with a stainless steel screen fastened with a stainless steel band. Cost included with "Light Tower" in Contract 62583.
 - The Light Tower shall not be erected until after the concrete has been cured according to Article 1020.13.
 - Two Anchor Rods opposite each other shall have the Anchor Rod threads peened after nuts are installed.
 - See BE500 & BE501 for additional details not shown here. Light Towers and Base R by others.
 - Grounding requirements shall be as shown on IDOT standard BE501. Location of ground rods and grounding attachments to reinforcement bars and anchor rods shall be as directed by Engineer. Epoxy coating must be removed from bars prior to exothermic welding. Repair coating after welding in accordance with Article 508.05 of the Standard Specs.

SHEET 11 OF 24

REVISIONS	
NAME	DATE

ILLINOIS DEPARTMENT OF TRANSPORTATION
F.A.I. 94/90 (DAN RYAN EXPRESSWAY)
 GARFIELD BLVD TO 31ST STREET (NB LOCAL LANES)
 COOK COUNTY
 STA. 4529+75.90 TO STA. 4537+30.74
RETAINING WALL N-47N-R
LIGHT TOWER DETAILS
 S.N. 016-W977

SCALE: NTS
 DATE: JUNE 9, 2006

DRAWN BY: MTR
 CHECKED BY: BLU

BOWMAN, BARRETT & ASSOCIATES INC.
 CONSULTING ENGINEERS
 Chicago, Illinois
 312.228.0100
 www.bbanda.com

6/7/2006 3:55:44 PM