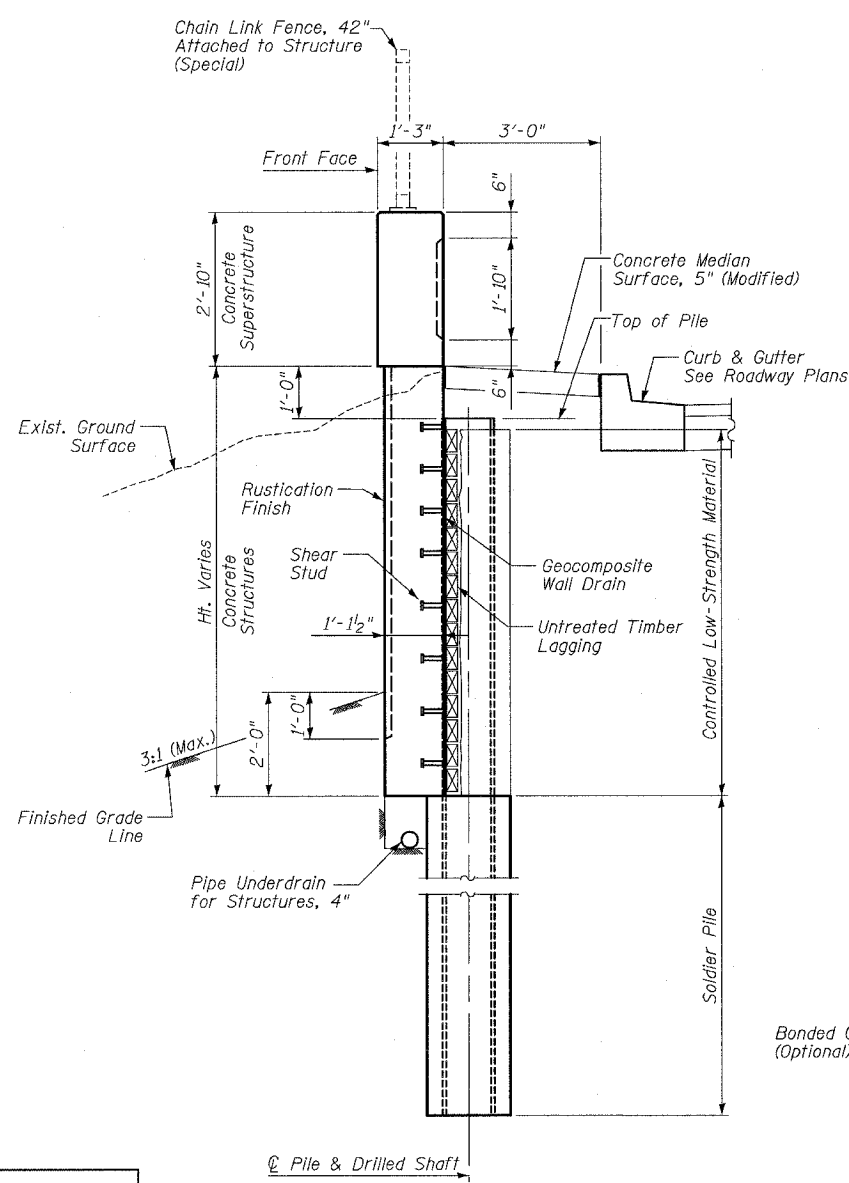
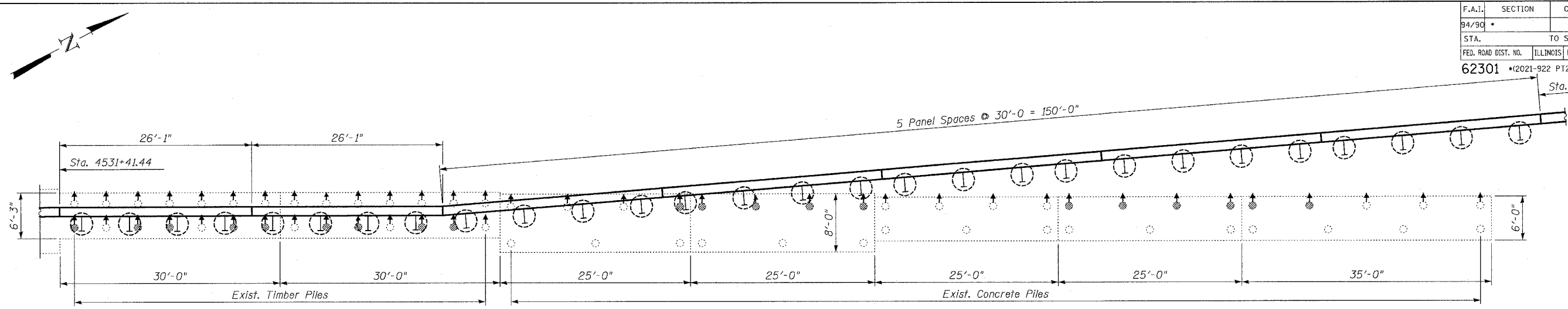


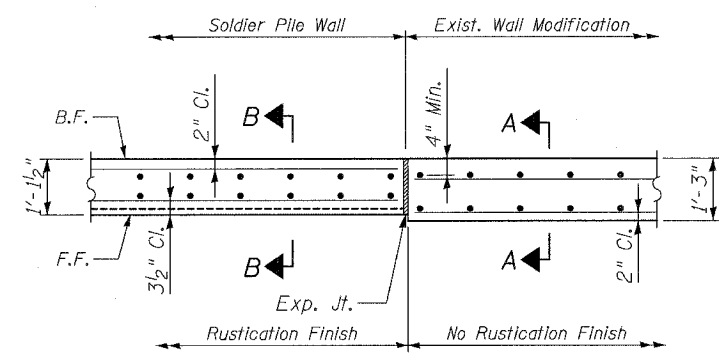
F.A.I.	SECTION	COUNTY	TOTAL SHEETS	SHEET NO.
94/90	*	COOK	565	385
STA.	TO STA.			
FED. ROAD DIST. NO.	ILLINOIS FED. AID PROJECT			
62301	*(2021-922 PT2 ETC 2324.6-1P) R-10			
	Sta. 4533+20.93			



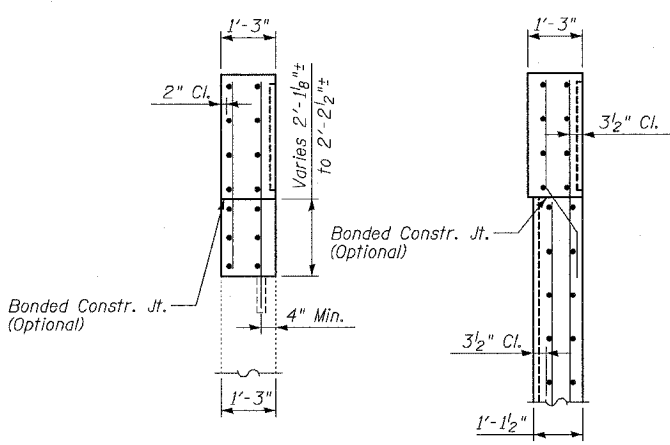
TYP. SECTION THRU PROPOSED WALL
See Sheet 12 for Modifications to this Section

PILE EXTRACTION LAYOUT

- LEGEND:**
- Existing Pile to be Extracted
 - Existing Pile to Remain
 - Indicates 3" in 12" Batter Pile
 - Proposed Soldier Pile Encasement

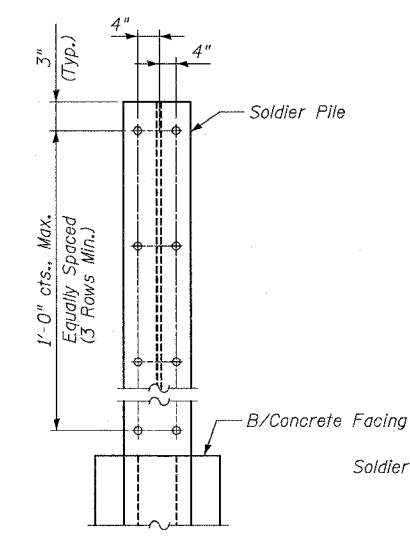


PLAN DETAIL

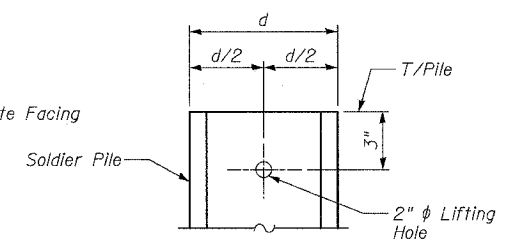


SECTION A-A

SECTION B-B



SHEAR STUD CONNECTOR DETAIL



LIFTING HOLE DETAIL

SHEET 13 OF 24

REVISIONS	
NAME	DATE
REVISED	07/13/06

ILLINOIS DEPARTMENT OF TRANSPORTATION
 F.A.I. 94/90 (DAN RYAN EXPRESSWAY)
 GARFIELD BLVD TO 31ST STREET (NB LOCAL LANES)
 COOK COUNTY
 STA. 4529+75.50 TO STA. 4537+30.74
 RETAINING WALL N-47N-R
 TYPICAL SECTIONS & DETAILS
 S.N. 016-W977
 SCALE: NTS
 DATE: JUNE 9, 2006
 DRAWN BY: MTR
 CHECKED BY: BLU

BOWMAN, BARRETT & ASSOCIATES INC.
 CONSULTING ENGINEERS
 Chicago, Illinois
 312.228.0100
 www.bbainc.com

452606 7/13/2006