

STATE OF ILLINOIS
DEPARTMENT OF TRANSPORTATION

ROUTE NO.	SECTION	COUNTY	SHEET NO.	SHEET NO.
94/90	*	COOK	588	284
FED. ROAD DIST. NO. 7		ILLINOIS	FED. AID PROJECT	

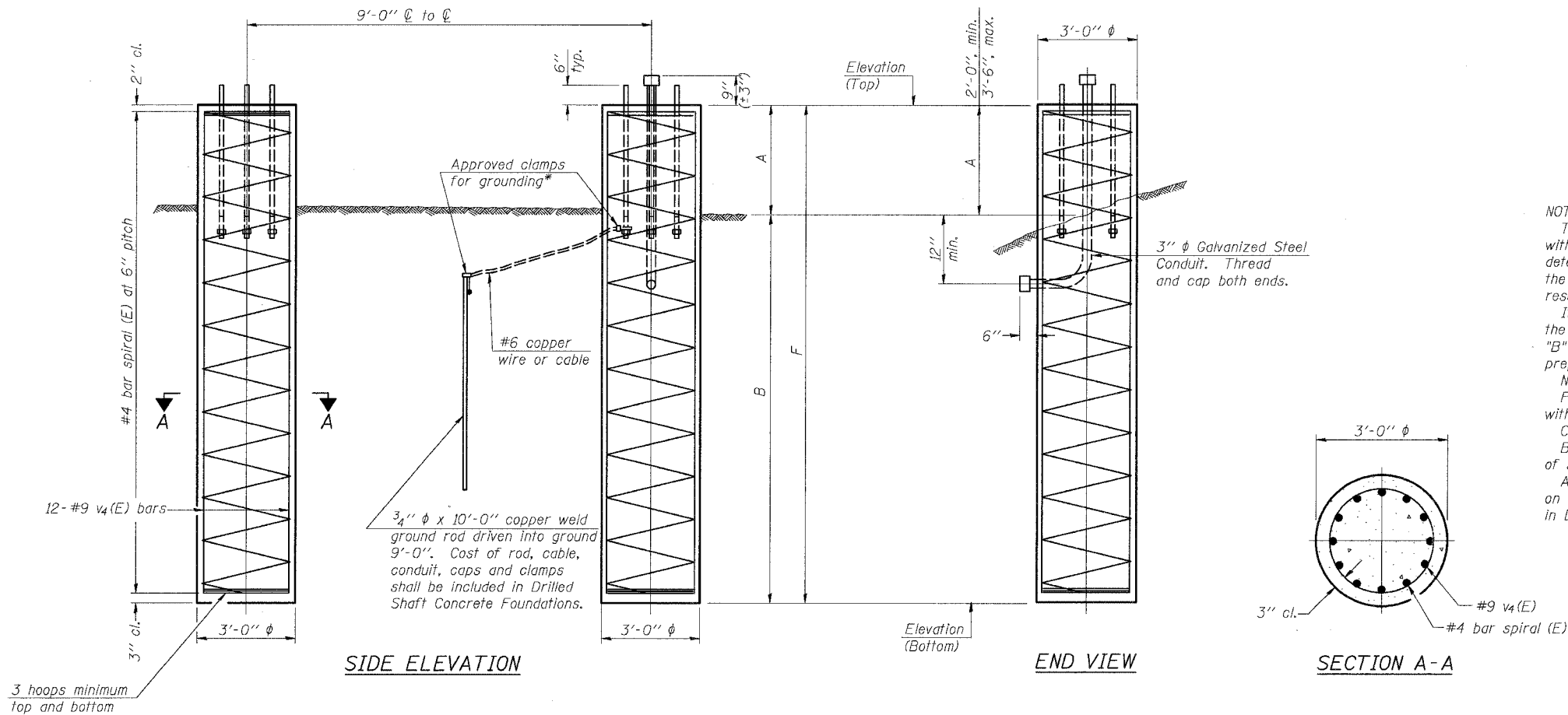
* 62303 (2021-922 PT2 ETC 2324.6-1P) R-11

BAR LIST - EACH FOUNDATION

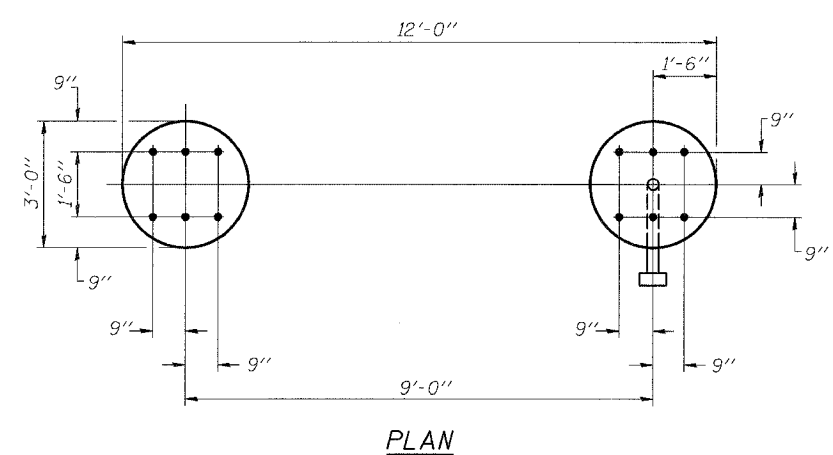
Bar	Number	Size	Length	Shape
v ₄ (E)	24	#9	F less 5"	—
#4 bar spiral (E) - see Side Elevation				

For anchor rod size and placement, see Support Frame Detail Sheet.

* Anchor rod shall be ground or filed to bright metal at clamp and cable connection location.



NOTES:
The foundation dimensions shown are based on the presence of mostly cohesive soils with an average Unconfined Compressive Strength (Q_u) of at least 1.25 tsf, which must be determined by previous soil investigations at the jobsite. When other conditions are indicated, the boring data will be included in the plans and the foundation dimensions shown will be the result of site specific designs.
If the conditions encountered are different than those indicated, the Contractor shall notify the Engineer to determine if the foundation dimensions need to be modified. If dimensions "B" or "F" are revised by more than 12" by the Contractor, "as-built" plans shall be prepared and submitted to the District Bureau of Operations for future reference.
No sonotubes or decomposable forms shall be used below the lower conduit entrance. Permanent metal forms or other shielding may not be left in place below that elevation without the Engineer's written permission.
Concrete shall be placed monolithically, without construction joints.
Backfill shall be placed per Article 502 of Standard Specification and prior to erection of support column.
A normal surface finish followed by a Bridge Seat Sealer application will be required on concrete surfaces above the lowest elevation 6" below finished ground line. Cost included in Drilled Shaft Concrete Foundation.



* Foundation built in Contract 62302

Structure Number	Station	Elevation Top	Elevation Bottom	Left Foundation *			Right Foundation			Class SI Concrete (Cu. Yds.)		
				A	B	F	Elevation Top	Elevation Bottom	A		B	F
1S0161094R057.8	3575+92.44	----	----	----	----	----	2.11'	-19.77'	3.88'	18.00'	21.88'	11.5
1S0161094R055.64	3586+50	----	----	----	----	----	9.80'	-10.70'	2.50'	18.00'	20.50'	10.7

DESIGNED	MSA	EXAMINED	20
CHECKED	AS	PASSED	ENGINEER OF STRUCTURAL SERVICES
DRAWN	RV		ENGINEER OF BRIDGES AND STRUCTURES
CHECKED	MSA		

NUMBER	REVISION	DATE

DETAILS FOR 12" ϕ SUPPORT FRAME
TYPE III-A TRUSS

OVERHEAD SIGN STRUCTURES
DRILLED SHAFT DETAILS

ILLINOIS DEPARTMENT OF TRANSPORTATION
F.A.I. 94/90 (DAN RYAN EXPRESSWAY)
GARFIELD BLVD TO 31st STREET (SB LOCAL LANES)
OVERHEAD SIGN STRUCTURES
(SPAN)