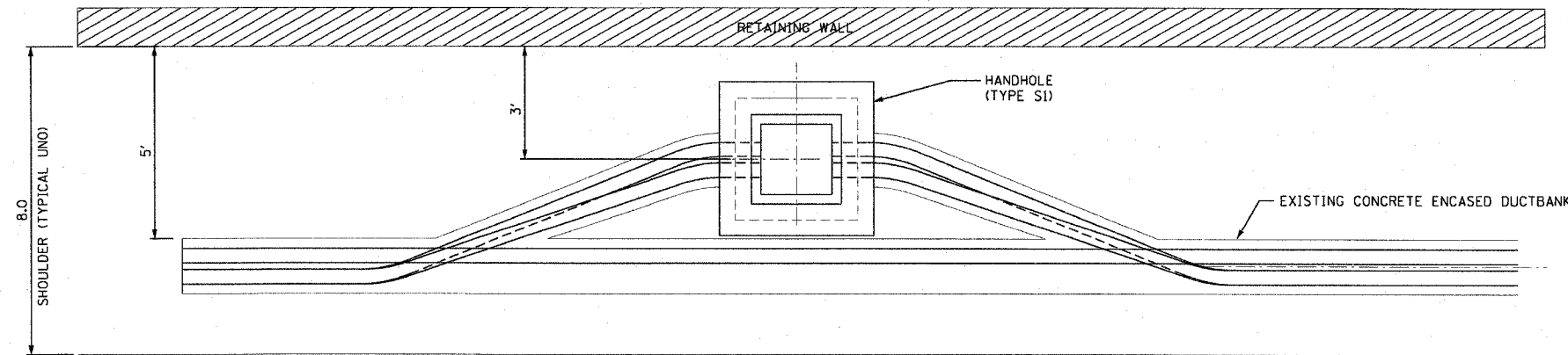


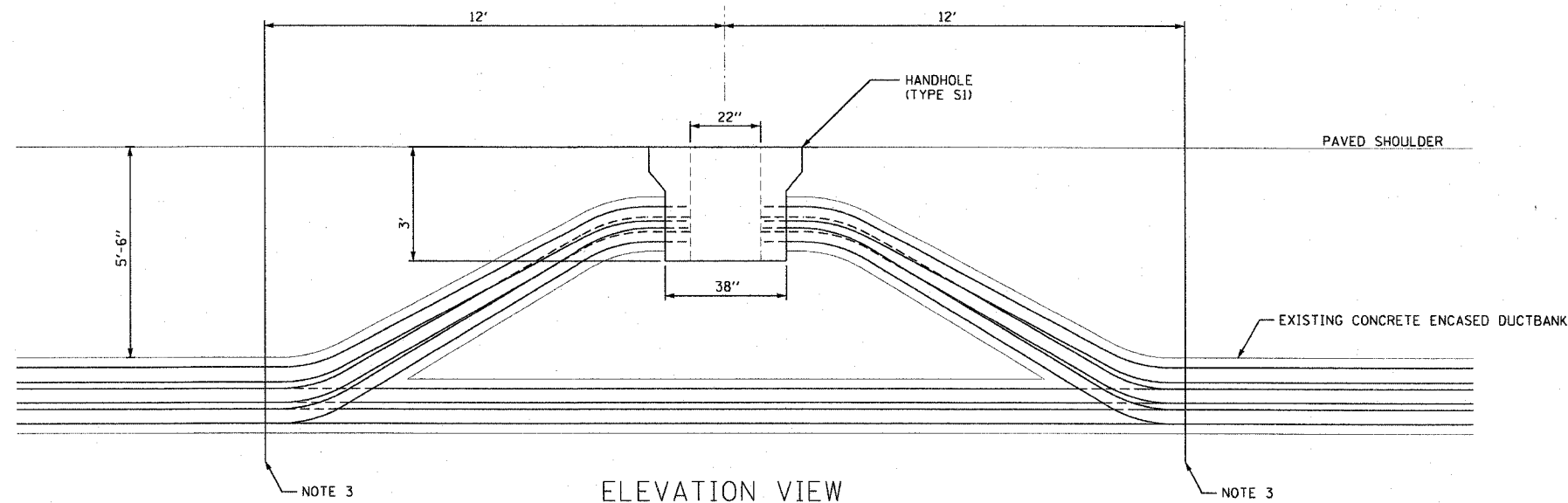
F.A.I. RTE.	SECTION	COUNTY	TOTAL SHEETS	SHEET NO.
90/94	*	COOK	588	342
STA.	TO STA.			
FED. ROAD DIST. NO. 1	ILLINOIS	FED. AID PROJECT		
62303	• (2021-922 PT2 ETC 2324.6-IP) R-11			

NOTES:

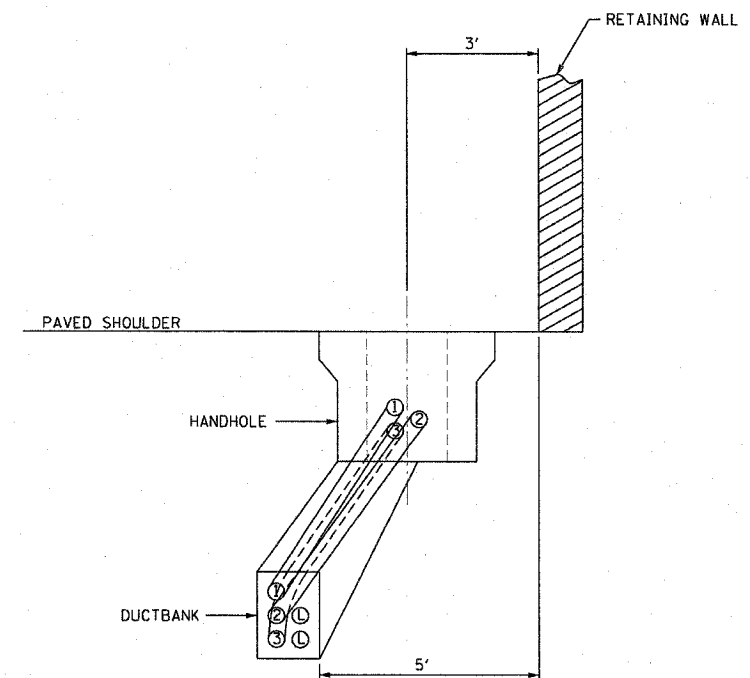
1. SEE DRAWING EI-106 FOR ELECTRICAL DUCTBANK DETAILS.
2. SEE DRAWING EI-108 FOR EXISTING CONDITIONS.
3. EXTEND 4" RACEWAYS FROM EXISTING DUCTBANK TO HANDHOLE. COORDINATE WORK WITH SHOULDER CONSTRUCTION. ALL CONDUIT SHALL BE ENCASED IN REINFORCED CONCRETE.
4. ADJUST HANDHOLE LOCATION AS REQUIRED TO ACCOMMODATE EXISTING CONDITIONS. FINAL LOCATION MUST BE APPROVED BY THE ENGINEER.



TOP VIEW



ELEVATION VIEW



SIDE VIEW

CTE | AECOM

REVISIONS	
NAME	DATE

ILLINOIS DEPARTMENT OF TRANSPORTATION
 F.A.I. 90/94 (DAN RYAN EXPRESSWAY)
 GARFIELD BLVD TO 31ST STREET (SB LOCAL LANES)
 DUCTBANK ROUTING
 INTO HANDHOLE

SCALE: NOT TO SCALE
 DATE: June 9, 2006
 DRAWN BY: HAR
 CHECKED BY: JEC

EI-109

06/07/2006 09:55:01 AM