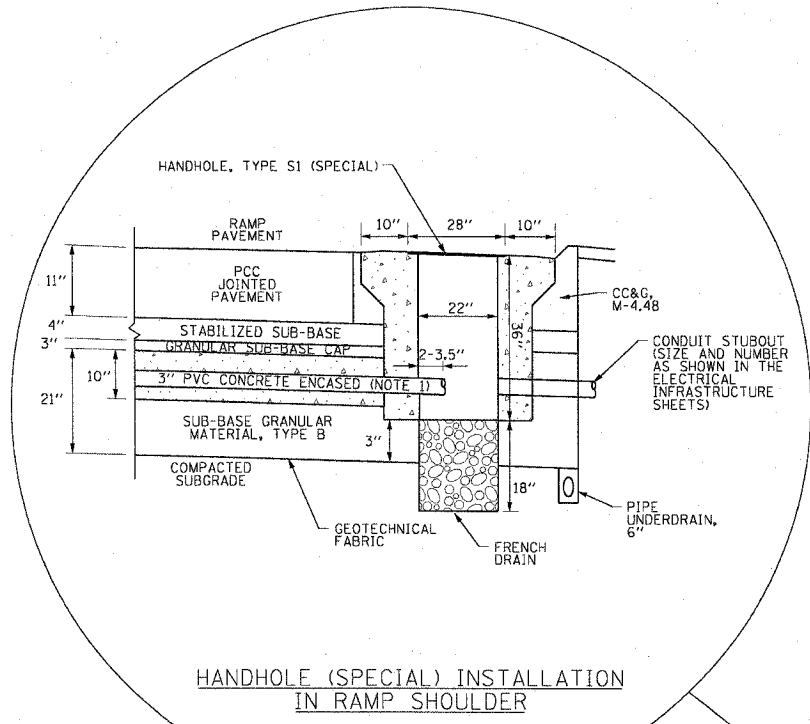
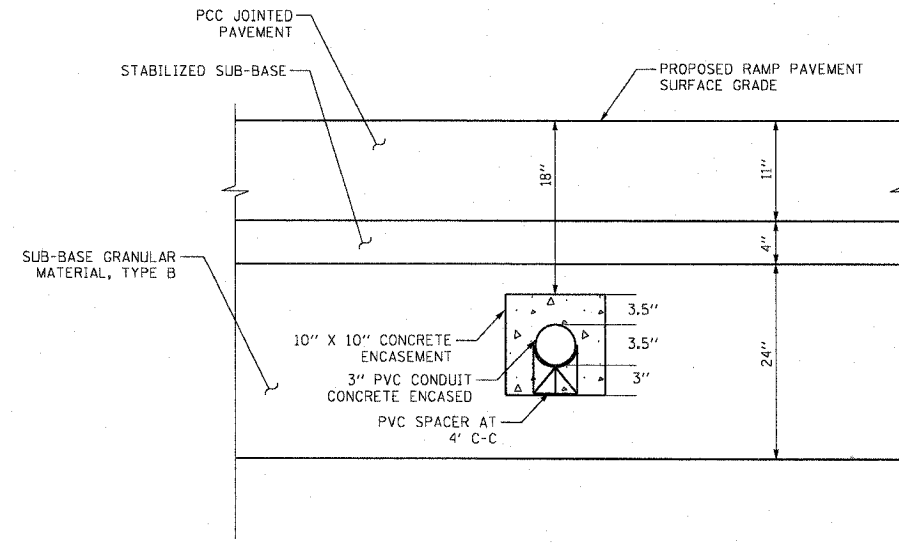


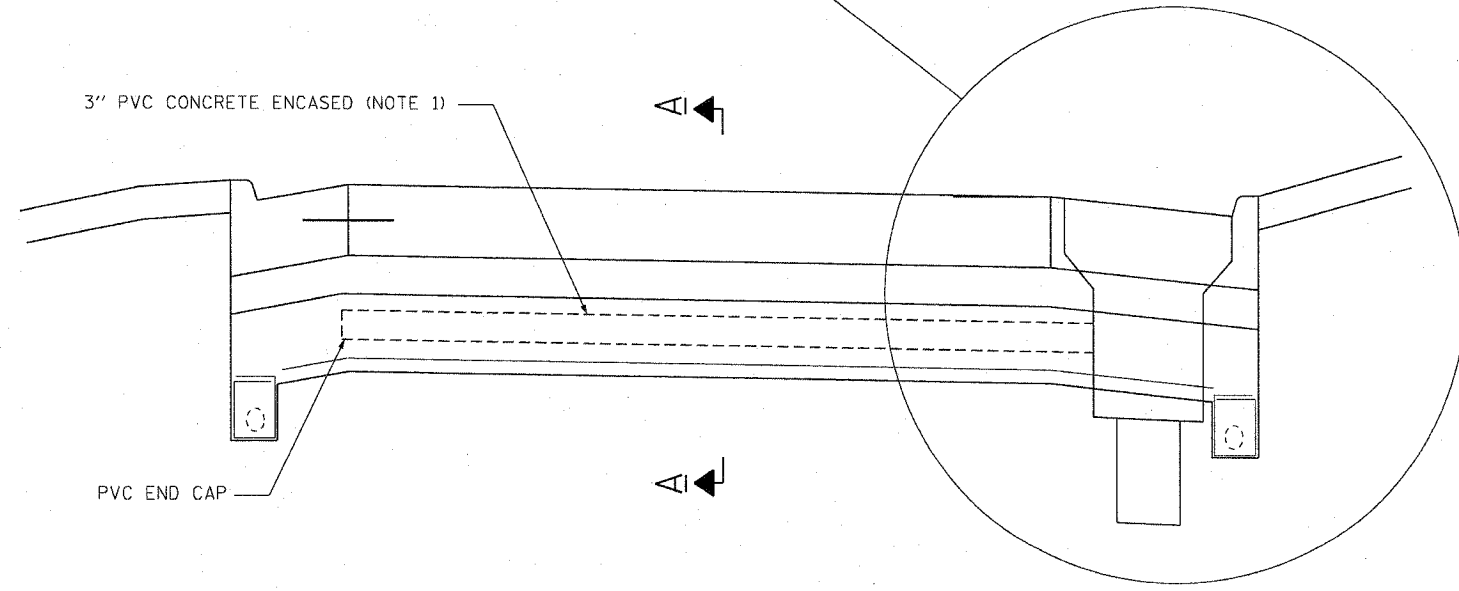
F.A.I. RTE.	SECTION	COUNTY	TOTAL SHEETS	SHEET NO.
90/94	*	COOK	588	344
STA.	TO STA.			
FED. ROAD DIST. NO. 1		ILLINOIS FED. AID PROJECT		
62303		* (2021-922 PT2 ETC 2324.6-1P) R-11		



HANDHOLE (SPECIAL) INSTALLATION IN RAMP SHOULDER



TYPICAL DETECTOR CONDUIT INSTALLATION IN RAMP PAVEMENT: SECTION A-A



TYPICAL RAMP DETECTOR INSTALLATION

NOTES

- 3" PVC CONCRETE ENCASED CONDUIT IS REQUIRED ONLY WHERE SHOWN ON THE PLAN DRAWINGS. WHEN INSTALLED, THE CONDUIT MUST MAINTAIN THE SAME ANGLE AS THE PAVEMENT THROUGHOUT ITS ENTIRE LENGTH. CONTRACTOR MUST VERIFY THE DETECTOR CONDUIT STRAIGHTNESS ACCORDING TO THE CONTRACT SPECIFICATIONS BEFORE THE CONCRETE ENCASEMENT IS INSTALLED.
- FOR HANDHOLE DETAIL SEE SHEET EI-104.
- WHEN INSTALLING CONDUIT NEAR OR THROUGH UNDERDRAIN GEOTECHNICAL FABRIC, THE CONTRACTOR SHALL MAINTAIN THE INTEGRITY AND UNIFORMITY OF THE UNDERDRAIN FABRIC THROUGH OVERLAP TO THE SATISFACTION OF THE ENGINEER.

CTE | AECOM

REVISIONS	
NAME	DATE

ILLINOIS DEPARTMENT OF TRANSPORTATION
 F.A.I. 90/94 (DAN RYAN EXPRESSWAY)
 GARFIELD BLVD TO 31ST STREET (SB LOCAL LANES)
**TYPICAL RAMP DETECTOR
 INSTALLATION DETAIL**
 SCALE: NOT TO SCALE
 DATE: June 9, 2006
 DRAWN BY: HAR
 CHECKED BY: JPC

EI-111

06/07/2006 09:59:03 AM