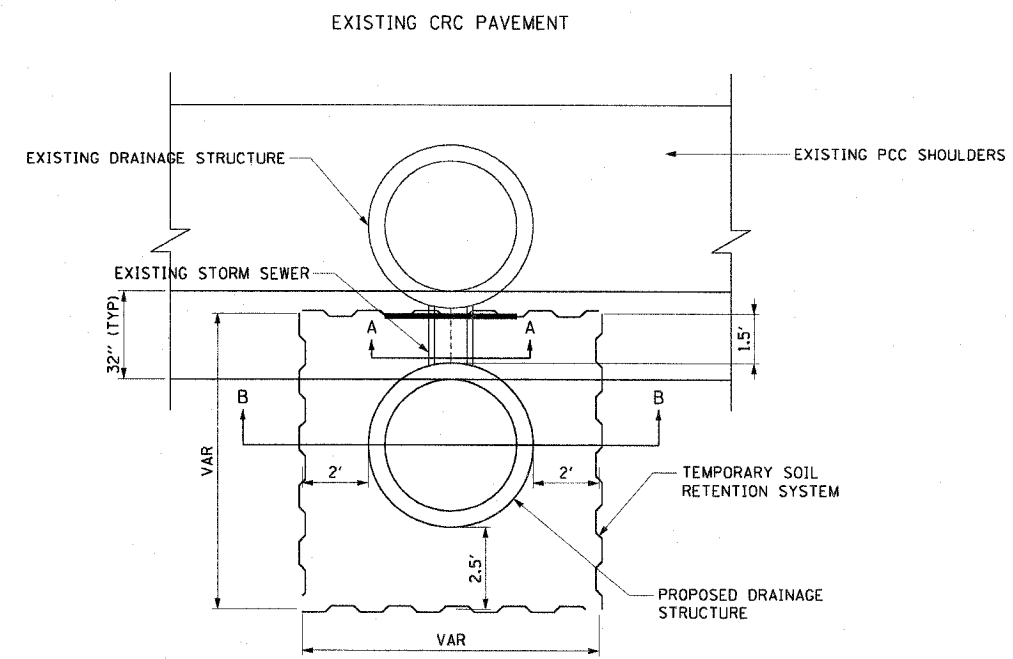


F.A.I. RTE.	SECTION	COUNTY	TOTAL SHEETS	SHEET NO.
90/94	*	COOK	588	379
STA.	TO STA.			
FED. ROAD DIST. NO. 1		ILLINOIS	FED. AID PROJECT	
62303	• (2021-922 PT2 ETC 2324.6-1P) R-11			



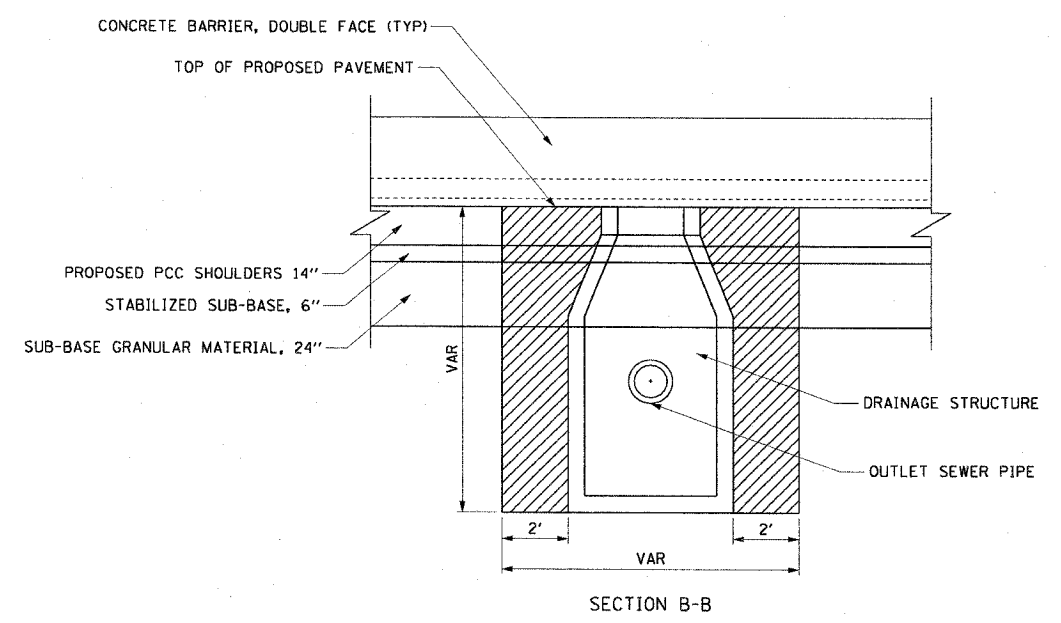
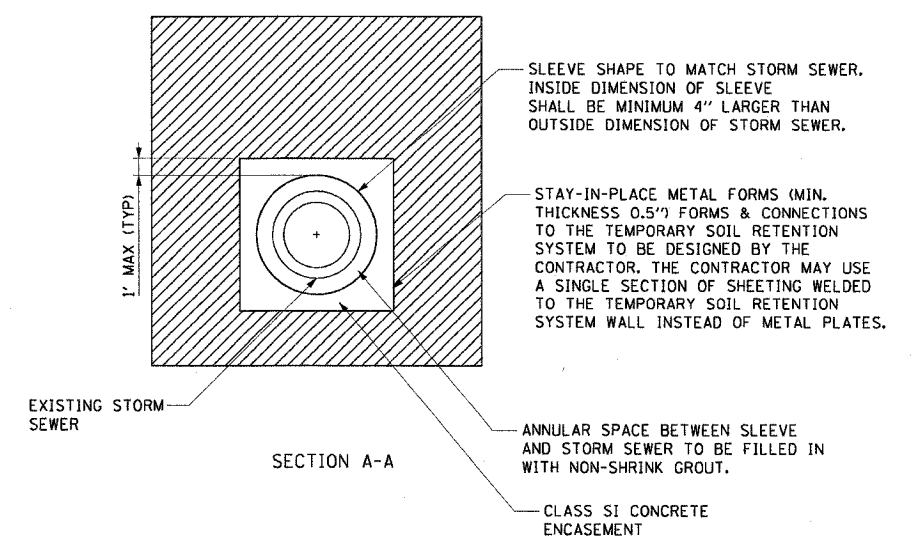
**NOTES**

1. STORM SEWER PENETRATIONS THROUGH THE TEMPORARY SOIL RETENTION SYSTEM WILL NOT BE PAID FOR SEPARATELY, BUT WILL BE INCLUDED IN THE COST FOR THE TEMPORARY SOIL RETENTION SYSTEM.

**LEGEND**

TEMPORARY SOIL RETENTION SYSTEM

PLAN VIEW



SECTION B-B

REVISIONS	
NAME	DATE

ILLINOIS DEPARTMENT OF TRANSPORTATION  
 F.A.I. 90/94 (DAN RYAN EXPRESSWAY)  
 GARFIELD BLVD TO 31ST STREET (SB LOCAL LANES)

**DRAINAGE DETAILS  
 TEMPORARY SOIL RETENTION SYSTEM**

SCALE: NONE  
 DATE: June 9, 2006

DRAWN BY: RMG  
 CHECKED BY: XXX



DDT-2

6/7/2006 12:28:52 PM