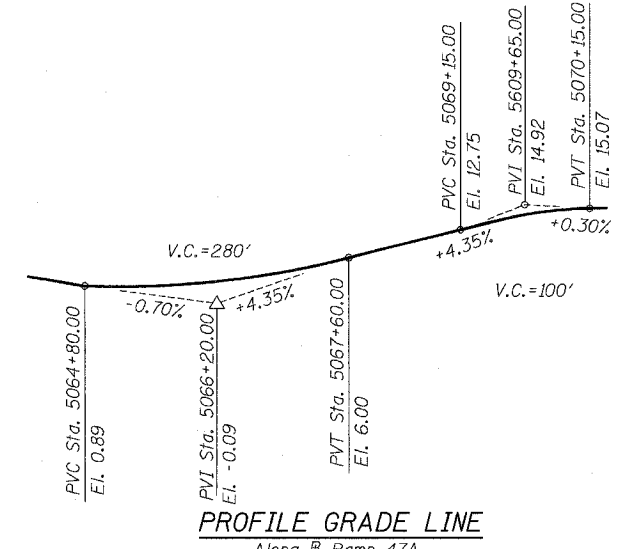
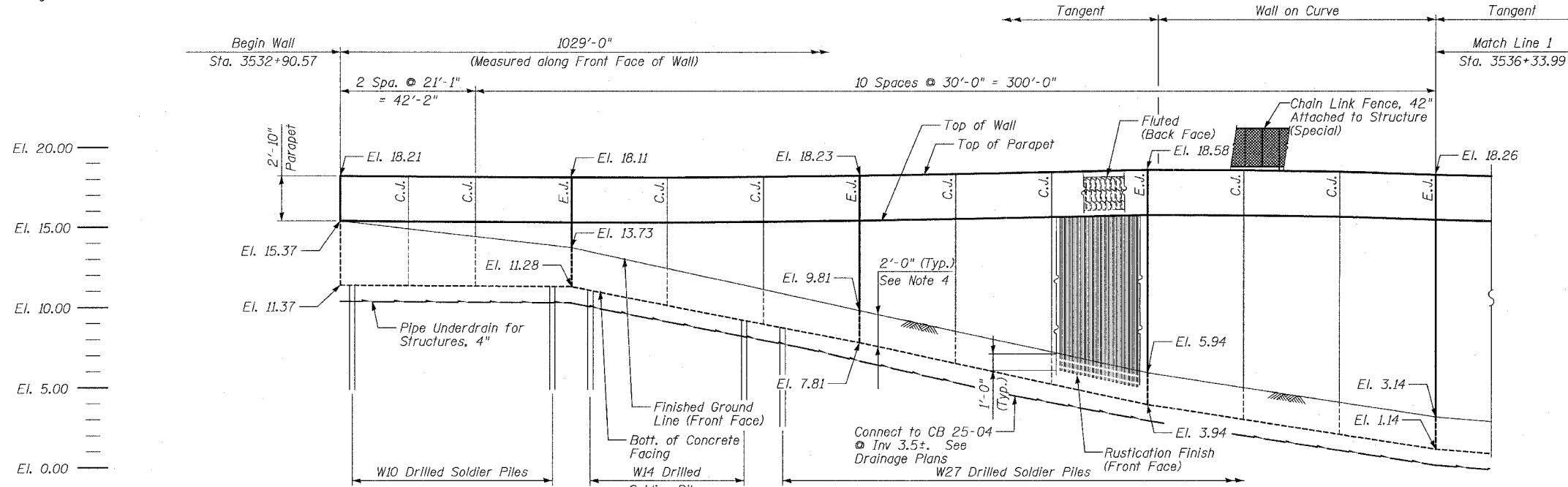


Benchmark: BM No. 3528
 "+" Cut on Northwesterly bolt of Fire Hydrant at the Northwest corner of 45th St. and Wentworth Ave.
 El. 16.20
 All elevations are based on the Chicago City Datum (C.C.D.)
 Salvage: None

Existing Structure Description:

The existing wall was built in 1962 as part of Section 2122-921 PT.I and designated Wall "W4". The existing wall is a cast-in-place concrete cantilever type on pile supported footings with a total length of 524'-9". The height from top of wall to bottom of footing varies from approximately 11'-6" to 6'-3". The stem is 1'-0" in width at the top and increases toward the base as the front face slopes 1/4" per foot. There is an existing chain link fence mounted on top of wall. A portion of the wall will be completely removed for the construction of the new wall and the top portion of the remaining will be reconstructed.

F.A.I.	SECTION	COUNTY	TOTAL SHEETS	SHEET NO.
94/90	*	COOK	588	412
STA.		TO STA.		
FED. ROAD DIST. NO.		ILLINOIS FED. AID PROJECT		
62303		*2021-922 PT2 ETC 2324.6-IP1 R-11		

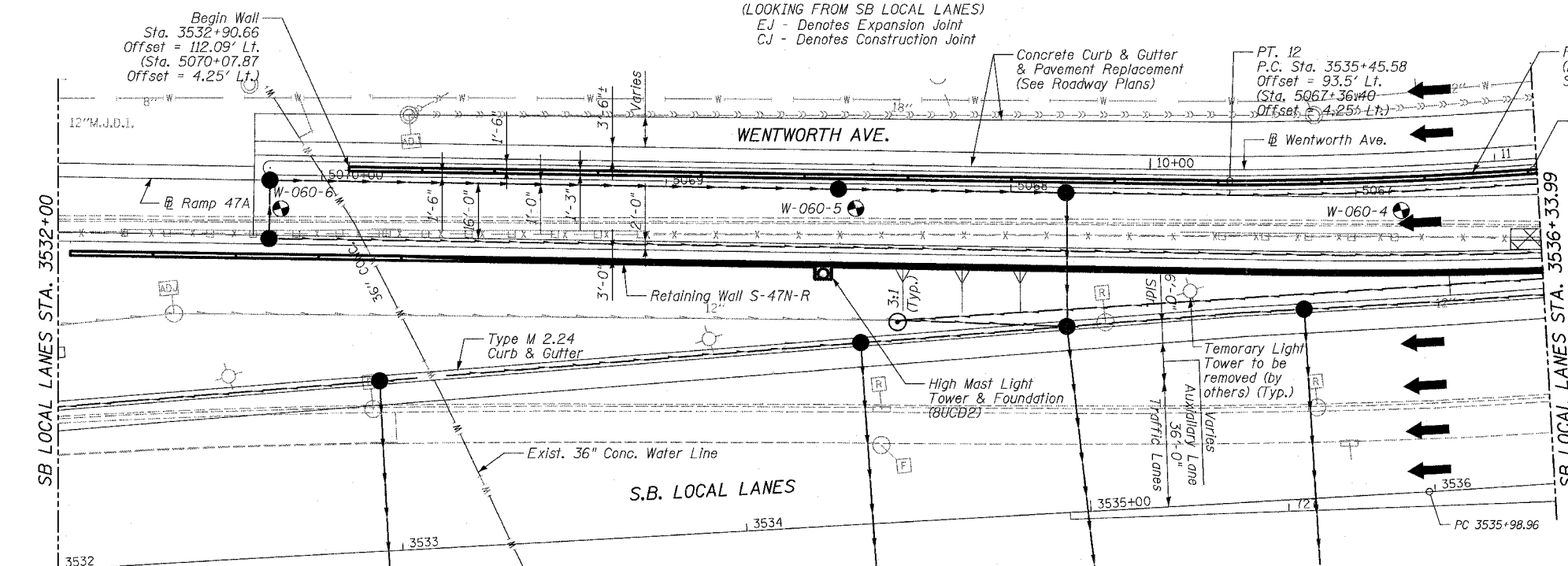


PARTIAL FRONT FACE ELEVATION

(LOOKING FROM SB LOCAL LANES)

EJ - Denotes Expansion Joint

CJ - Denotes Construction Joint



Notes:

- Offsets given to Back Face of Wall. Station and offsets in parentheses are along ramp or Frontage Road.
- H.M.L.T. foundations and work pads by others. See Special Provisions for Contractor Cooperation.
- Wall to be built along straight chords between construction joints.
- Min. Facing in contact with soldier pile shall be 3'-0".
- Coordinate pipe underdrain outlet with Drainage Contractor.
- See Sheet 2 for Bill of Material and Sheet 12 for Offset Sketch. Point numbers reference offset sketch.

LEGEND

- Soil Boring Location
- Proposed Drainage Structure
- Proposed Underdrain
- Proposed Storm Sewer

DESIGN SPECIFICATIONS

2002 AASHTO

DESIGN STRESSES

FIELD UNITS
 $f'_c = 3,500$ psi
 $f_y = 60,000$ psi (Reinforcement)
 $f_y = 36,000$ psi (M270 Gr 36) Soldier Piles

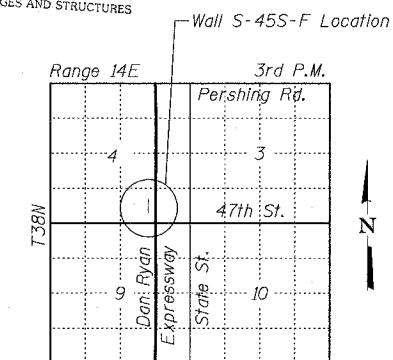
APPROVED

FOR STRUCTURAL ADEQUACY ONLY

Robert E. Adams
 ENGINEER OF BRIDGES AND STRUCTURES



Date: June 9, 2006
 License Expires: November 30, 2006



LOCATION SKETCH

SHEET 1 OF 24

BOWMAN, BARRETT & ASSOCIATES INC.
 CONSULTING ENGINEERS
 Chicago, Illinois
 312.228.0100
 www.bbainc.com

REVISIONS		ILLINOIS DEPARTMENT OF TRANSPORTATION F.A.I. 94/90 (DAN RYAN EXPRESSWAY) GARFIELD BLVD TO 31ST STREET (SB LOCAL LANES) COOK COUNTY STA. 3532+90.57 TO STA. 3543+57.42 RETAINING WALL S-455-F GENERAL PLAN & ELEVATION 1 S.N. 016-W978
NAME	DATE	
REVISIONS	6/14/06	SCALE: NTS DATE: JUNE 9, 2006
		DRAWN BY: MTR CHECKED BY: BLU