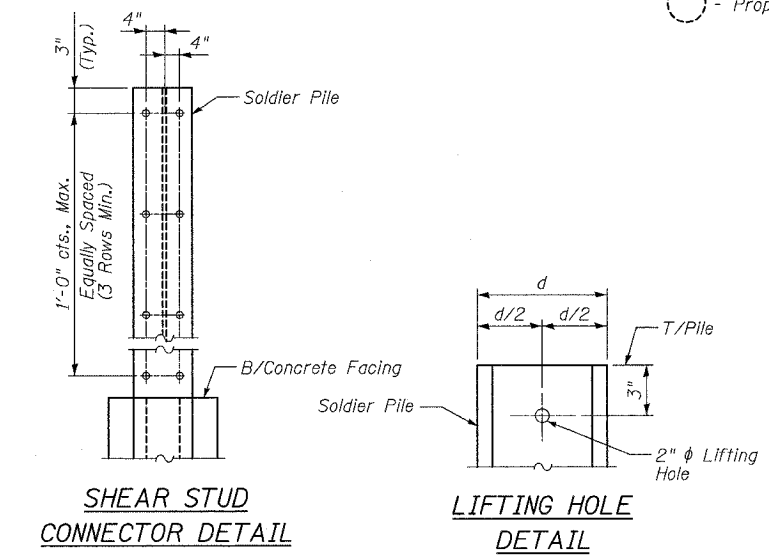
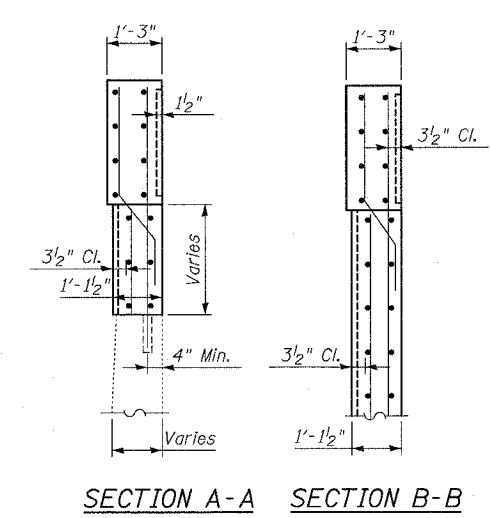
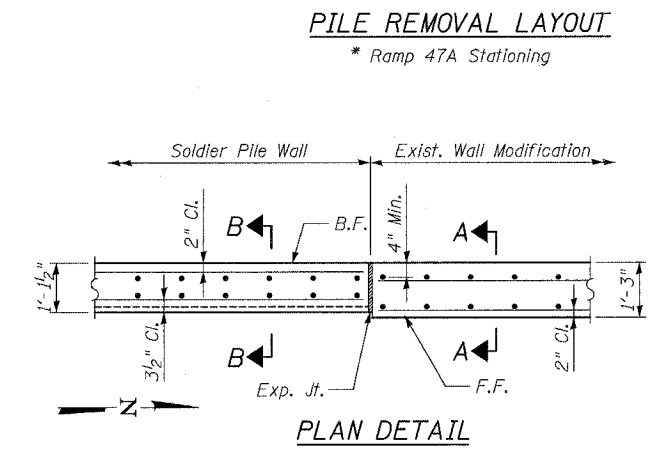
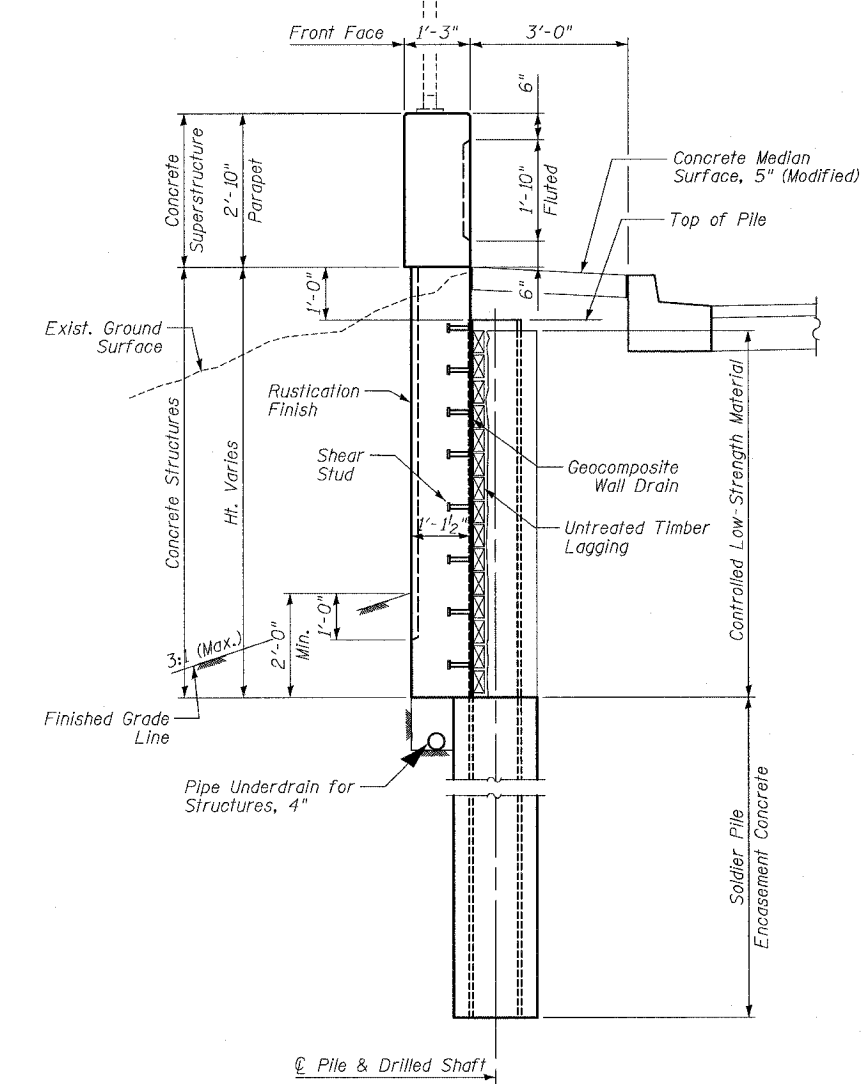
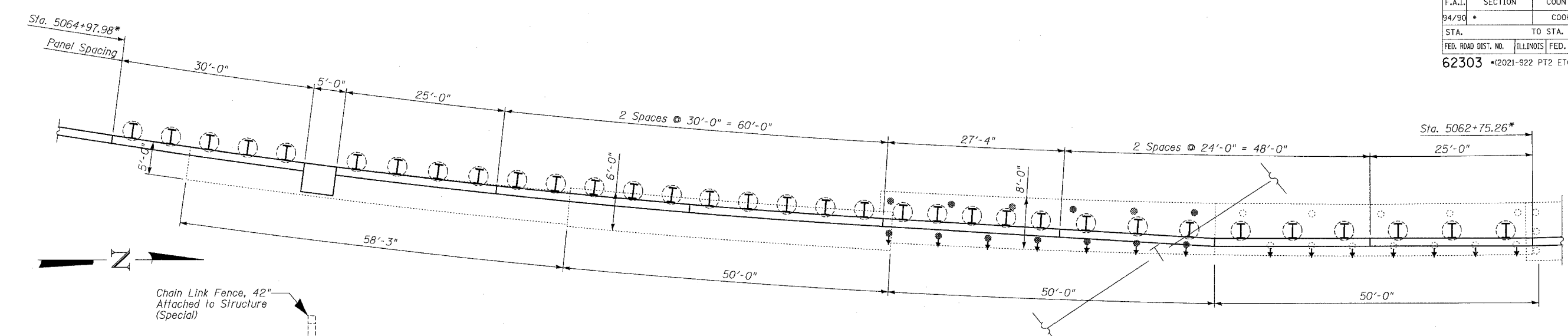


F.A.I.	SECTION	COUNTY	TOTAL SHEETS	SHEET NO.
94/90	*	COOK	588	427
STA.	TO STA.			
FED. ROAD DIST. NO.	ILLINOIS	FED. AID PROJECT		
62303	*I2021-922 PT2 ETC 2324.6-IP1 R-11			



- LEGEND:**
- - Existing Pile to be removed as part of "Removal of Existing Structures, No.2"
 - ⊙ - Existing Pile to be Extracted
 - - Existing Pile to Remain
 - ⚡ - Indicates 1 (Horiz) : 3 (Vert) Batter Pile
 - - Proposed Soldier Pile Encasement

SHEET 16 OF 24

REVISIONS	
NAME	DATE
REVISED	6/14/06
REVISED	7/13/06

ILLINOIS DEPARTMENT OF TRANSPORTATION
 F.A.I. 94/90 (DAN RYAN EXPRESSWAY)
 GARFIELD BLVD TO 31ST STREET (SB LOCAL LANES)
 COOK COUNTY
 STA. 3532+90.57 TO STA. 3543+57.42
 RETAINING WALL S-45S-F
 PILE REMOVAL LAYOUT & TYP. DETAILS
 S.N. 016-W978
 SCALE: NTS
 DATE: JUNE 9, 2006
 DRAWN BY: MTR
 CHECKED BY: BLU

BOWMAN, BARRETT & ASSOCIATES INC.
 CONSULTING ENGINEERS
 Chicago, Illinois
 312.228.0100
 www.bbandainc.com

TYP. SECTION THRU PROPOSED WALL
 See Specific Station Sections for Modifications to this Section

506251 PM 7/15/2006