
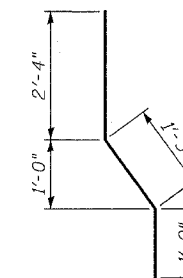


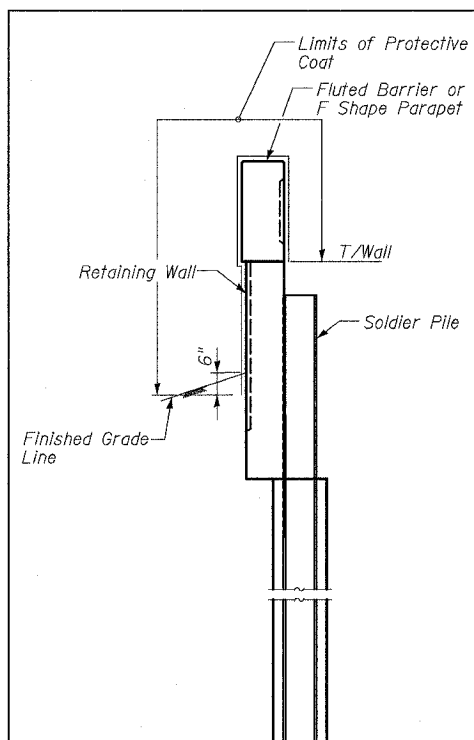
F.A.I.	SECTION	COUNTY	TOTAL SHEETS	SHEET NO.
94/90		COOK	588	441
STA.	TO STA.			
FED. ROAD DIST. NO.	ILLINOIS	FED. AID PROJECT		
62303	*(2021-922 PT2 ETC 2324.6-1P) R-11			

**BILL OF MATERIAL**

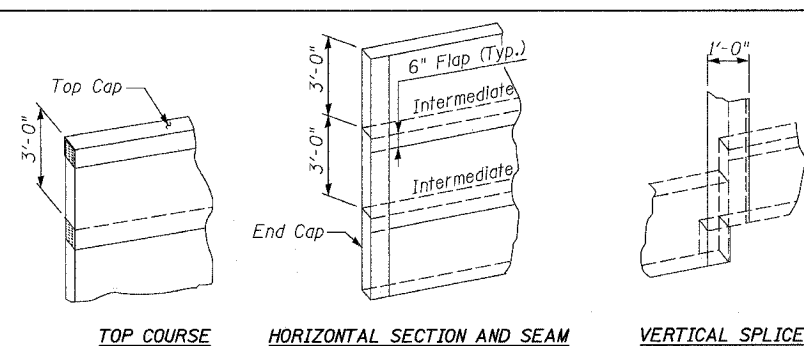
Bar	No.	Size	Length	Shape
d1(E)	465	#5	4'-7"	
e1(E)	40	#5	29'-8"	---
e2(E)	80	#5	32'-2"	---
h1(E)	50	#5	29'-8"	---
h2(E)	100	#5	32'-2"	---
v1(E)	372	#6	6'-6"	---
v2(E)	372	#5	3'-8"	---
v3(E)	62	#6	6'-7"	---
v4(E)	62	#5	3'-9"	---
v5(E)	31	#6	6'-8"	---
v6(E)	31	#5	3'-10"	---
Reinforcement Bars, Epoxy Coated			Pound	17,400
Concrete Structures			Cu. Yd.	73.3
Concrete Superstructures			Cu. Yd.	57.2
Chain Link Fence, 42" Attached to Structure (Special)			Foot	449
Rustication Finish			Sq. Ft.	1,803
Protective Coat			Sq. Yd.	281



**BAR d1(E)**



**DETAIL OF LIMITS OF PROTECTIVE COAT**



**GEOCOMPOSITE WALL DRAIN DETAILS**

BOWMAN, BARRETT & ASSOCIATES INC.  
CONSULTING ENGINEERS  
Chicago, Illinois  
312.228.0100  
www.bbainc.com

REVISIONS	
NAME	DATE
REVISED	6/21/06

ILLINOIS DEPARTMENT OF TRANSPORTATION  
F.A.I. 94/90 (DAN RYAN EXPRESSWAY)  
GARFIELD BLVD TO 31ST STREET (SB LOCAL LANES)  
RETAINING WALL S-43N-F  
BILL OF MATERIAL & DETAILS

SCALE: NTS  
DATE: JUNE 9, 2006

DRAWN BY: MTR  
CHECKED BY: BLU

6/23/2006 12:43:41 PM