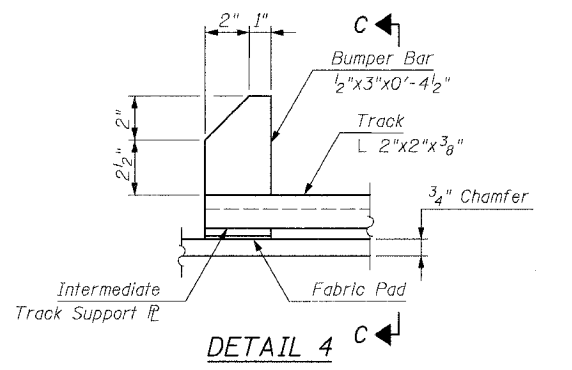
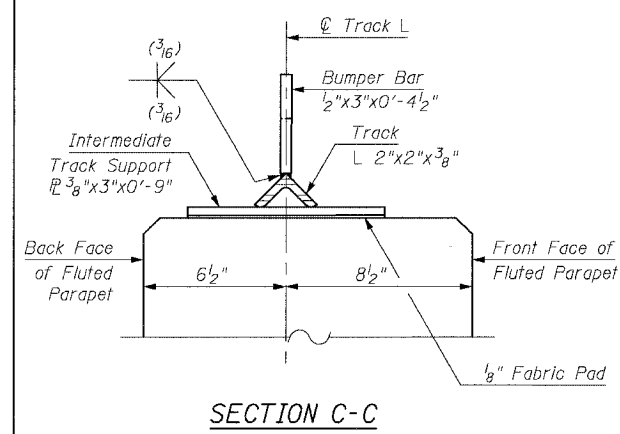


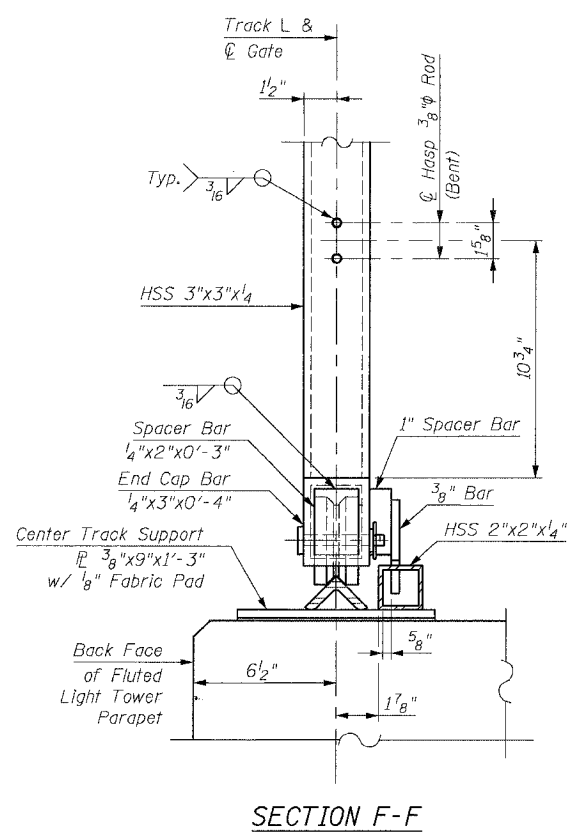
F.A.I.	SECTION	COUNTY	TOTAL SHEETS	SHEET NO.
94/90		COOK	588	457
STA.	TO STA.			
FED. ROAD DIST. NO.	ILLINOIS FED. AID PROJECT			
62303	*(I2021-922 PT2 ETC 2324.6-1P) R-11			



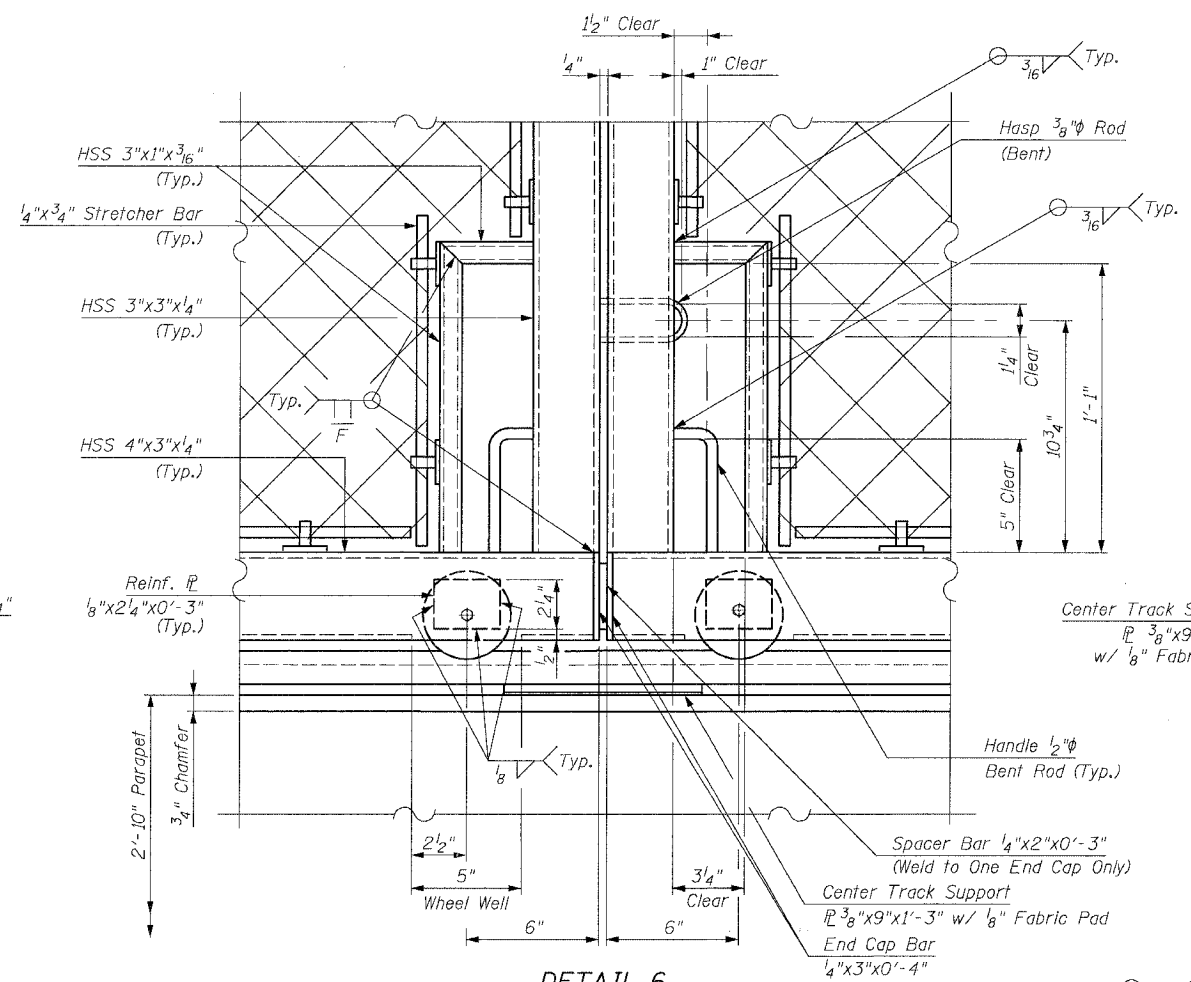
DETAIL 4 C



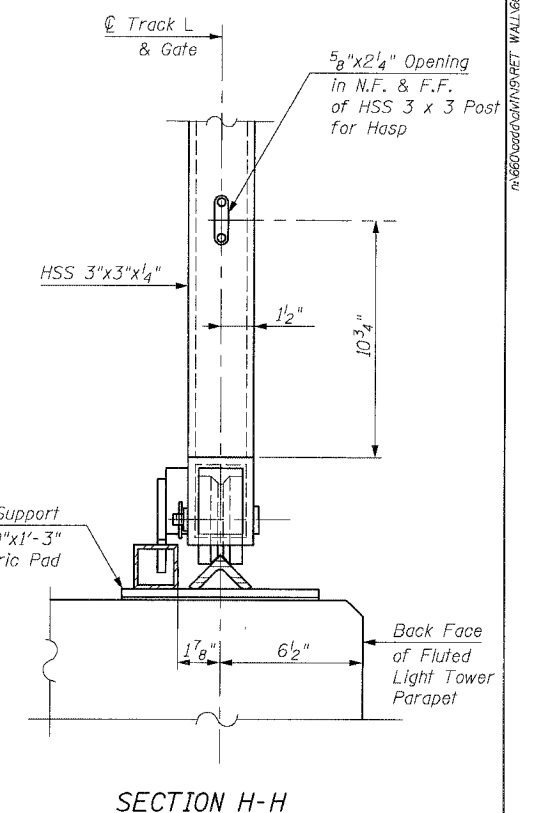
SECTION C-C



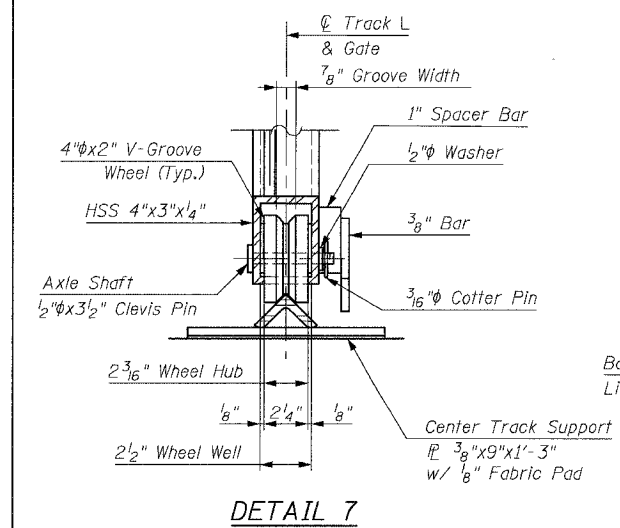
SECTION F-F



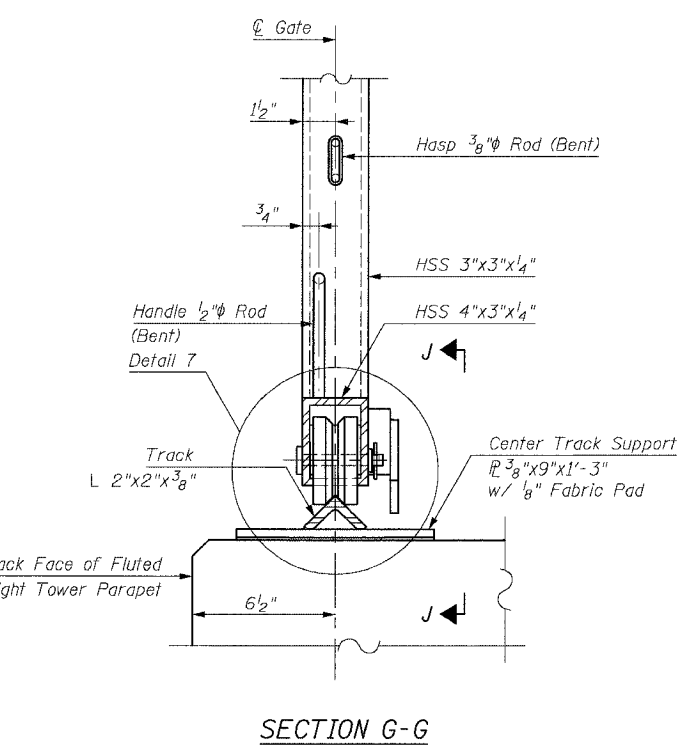
DETAIL 6



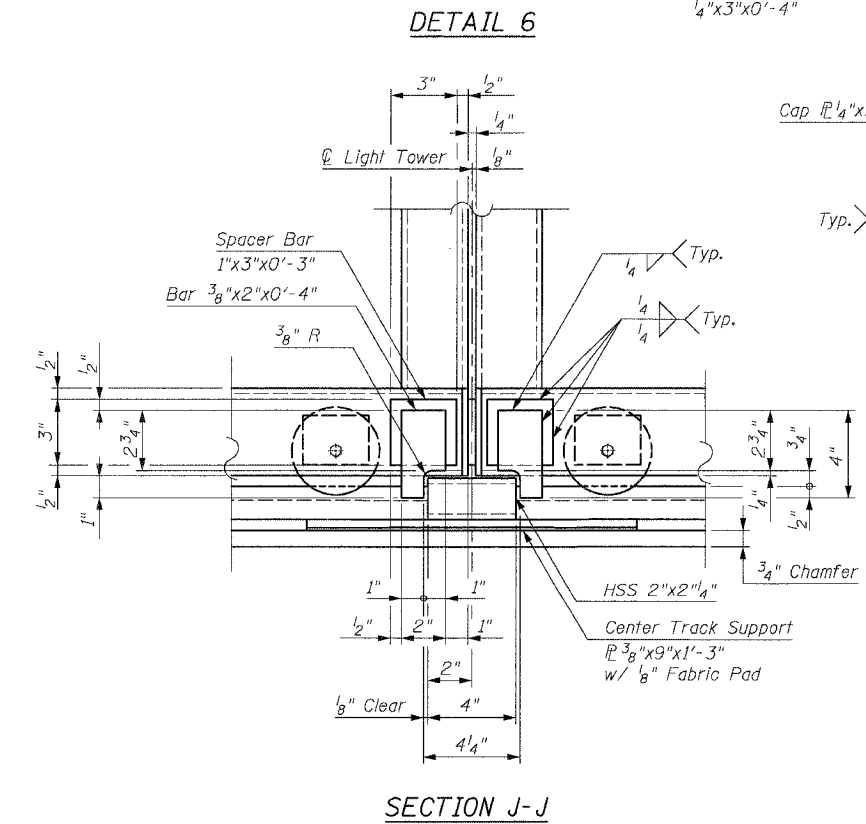
SECTION H-H



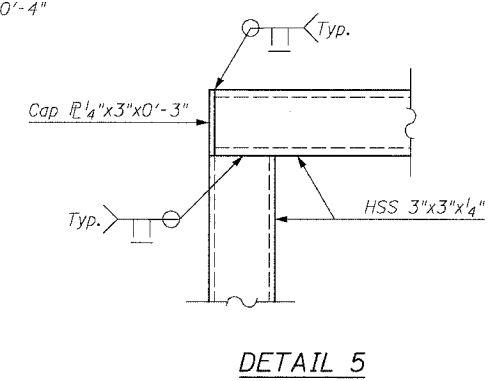
DETAIL 7



SECTION G-G



SECTION J-J



DETAIL 5

- Notes:
1. For Notes see Sheet SD.
 2. See Sheet SD for location of Sections C-C, F-F, G-G & H-H and Details 4, 5 & 6.

BOWMAN, BARRETT & ASSOCIATES INC.
CONSULTING ENGINEERS
Chicago, Illinois
312.228.0100
www.bbandainc.com

REVISIONS	DATE
NAME	

SHEET SD5 OF SD9

ILLINOIS DEPARTMENT OF TRANSPORTATION
F.A.I. 94/90 (DAN RYAN EXPRESSWAY)
GARFIELD BLVD TO 31ST STREET (SB LOCAL LANES)
CHAIN LINK FENCE, 42"
ATTACHED TO STRUCTURE (SPECIAL)
TYPICAL GATE SECTIONS & DETAILS 2

SCALE: NTS
DATE: JUNE 9, 2006

DRAWN BY: MTR
CHECKED BY: BLU

6/8/2006