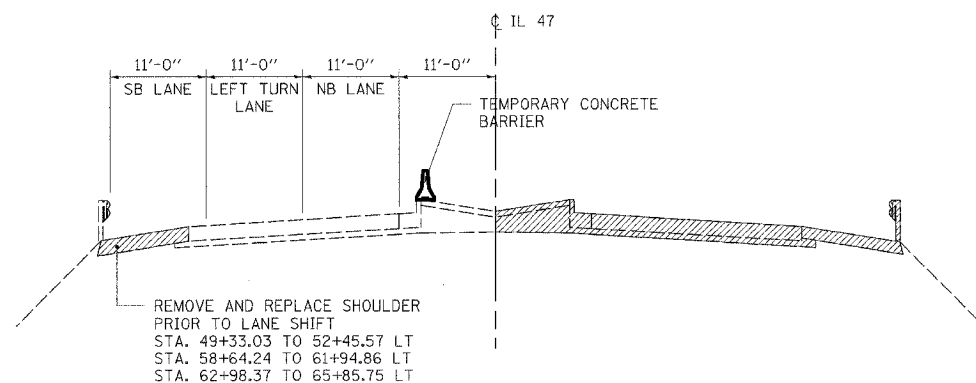
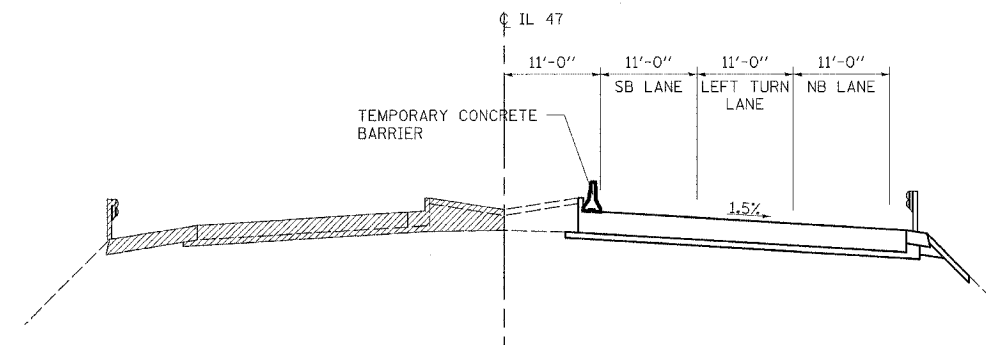


F.A.P. RTE.	SECTION	COUNTY	TOTAL SHEETS	SHEET NO.
326	E-8-4-B	KANE	62	9
FED. ROAD DIST. NO. 1 ILLINOIS FED. AID PROJECT				

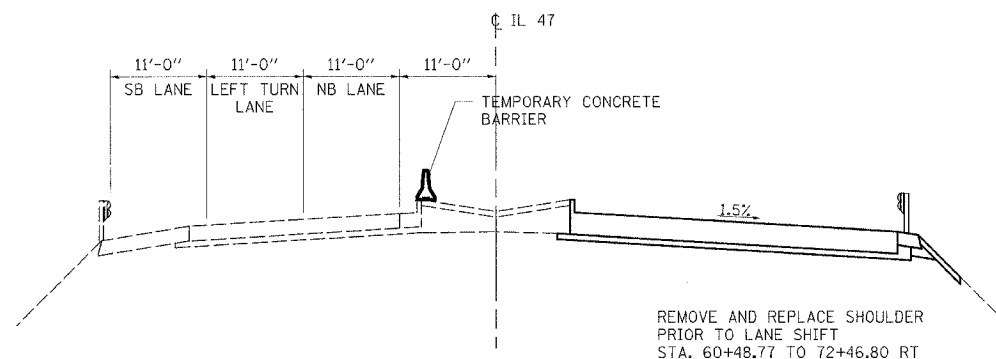
CONTRACT NO. 62531
 ISTHA CONTRACT RR-02-5129
 ISTHA BRIDGE NO. 1101



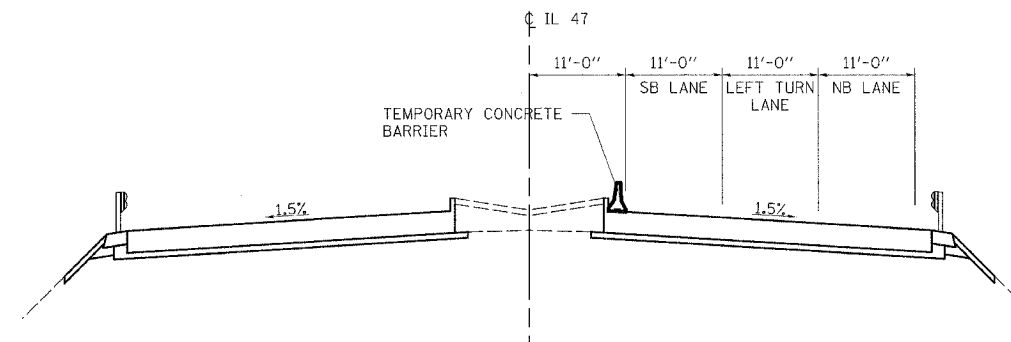
STAGE I REMOVAL



STAGE II REMOVAL



STAGE I CONSTRUCTION



STAGE II CONSTRUCTION

STAGE I CONSTRUCTION

1. REMOVE AND REPLACE SOUTHBOUND SHOULDERS AS SHOWN IN THESE PLANS UNDER TRAFFIC CONTROL STD. 701422
2. INSTALL PROTECTIVE SHIELD UNDER TRAFFIC CONTROL AND PROTECTION (EXPRESSWAY) FOLLOWING REQUIREMENTS OF ISTHA TRAFFIC CONTROL STANDARD E1, E10 & E10A.
3. INSTALL TRAFFIC CONTROL AND PROTECTION (SPECIAL) AS DETAILED IN THESE PLANS
4. REMOVE NORTHBOUND PORTION OF EXISTING STRUCTURE
5. REMOVE NORTHBOUND PORTION OF EXISTING APPROACH SLAB AND SHOULDER
6. CONSTRUCT NORTHBOUND PORTION OF STRUCTURE
7. CONSTRUCT NORTHBOUND PORTION OF PROPOSED APPROACH SLAB
8. CONSTRUCT NORTHBOUND SHOULDER
9. INSTALL GUARDRAIL
10. INSTALL SEEDING AND RESTORATION

STAGE II CONSTRUCTION

1. RELOCATE TRAFFIC CONTROL AND PROTECTION (SPECIAL) TO NORTH BOUND LANES AS DETAILED IN THESE PLANS
2. REMOVE SOUTHBOUND PORTION OF EXISTING STRUCTURE
3. REMOVE SOUTHBOUND PORTION OF EXISTING APPROACH SLAB AND SHOULDER
4. CONSTRUCT SOUTHBOUND PORTION OF STRUCTURE
5. CONSTRUCT SOUTHBOUND SHOULDER
6. CONSTRUCT SOUTHBOUND PORTION OF PROPOSED APPROACH SLAB
7. INSTALL GUARDRAIL
8. INSTALL SEEDING AND RESTORATION

STAGE III CONSTRUCTION

1. RELOCATE TRAFFIC CONTROL AND PROTECTION (SPECIAL) TO MEDIAN AS DETAILED IN PLANS PROVIDING ONE THROUGH LANE IN EACH DIRECTION
2. CONSTRUCT MEDIAN

FINAL PAVEMENT MARKING AND CLEANUP

1. REMOVE TRAFFIC CONTROL AND PROTECTION (SPECIAL).
2. INSTALL FINAL PAVEMENT MARKING UNDER TRAFFIC CONTROL STD. 701426.

<p>Excellence through Ownership</p> <p>200 West Front Street Wheaton, IL 60187</p>	REVISIONS NAME DATE		ILLINOIS DEPARTMENT OF TRANSPORTATION F.A.P. ROUTE 326 (IL 47) TRAFFIC CONTROL CONSTRUCTION STAGING NOTES AND DETAILS

5/5/2006 11:05 AM k:\182522\cct\des\gn\182522_StageNotes.dgn