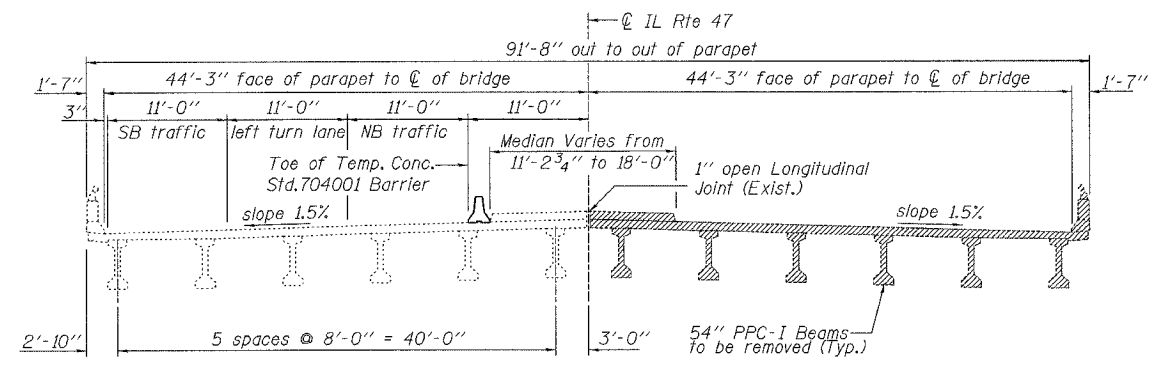


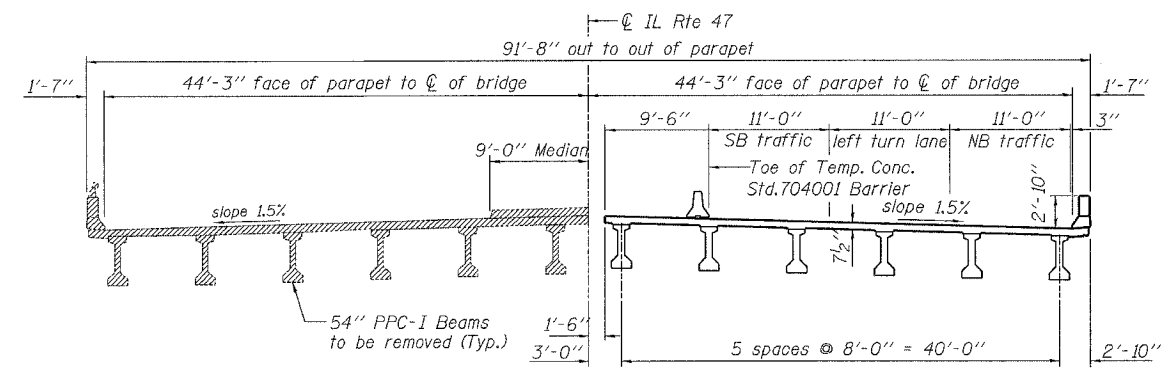
ROUTE NO.	SECTION	COUNTY	TOTAL SHEETS	SHEET NO.
F.A.P. 326	0910-IBR-84	KANE	62	21
FED. ROAD DIST. NO. 7	ILLINOIS	FED. AID PROJECT		

Contract #62531
 ISTHA Contract #RR-02-5129
 ISTHA Bridge No. 1101

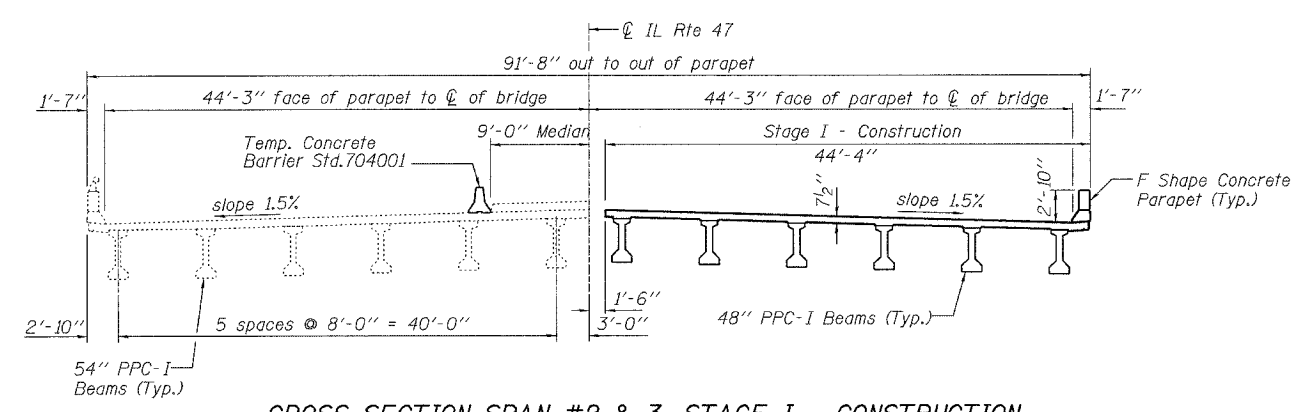
SHEET NO. 3
 32 SHEETS



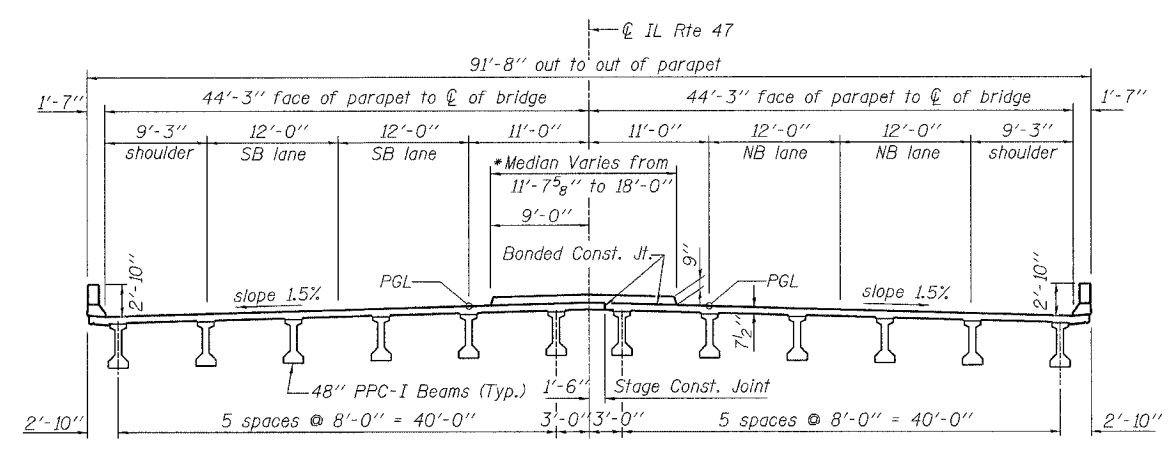
CROSS SECTION SPAN #2 & 3, STAGE I - REMOVAL
 (Looking North)



CROSS SECTION SPAN #2 & 3, STAGE II - REMOVAL
 (Looking North)



CROSS SECTION SPAN #2 & 3, STAGE I - CONSTRUCTION
 (Looking North)



CROSS SECTION SPAN #2 & 3, STAGE II - CONSTRUCTION
 (Looking North)

LEGEND:

- Superstructure Removal
- * Median to be constructed after completion of Stage II - Construction.

NOTE:

Removal of the existing bridge rail is included with Removal of Existing Superstructures.

 Excellence through Ownership	ILLINOIS DEPARTMENT OF TRANSPORTATION
	STAGE CONSTRUCTION - BRIDGE IL RTE. 47 OVER I-88 (E-W TOLLWAY) KANE COUNTY STRUCTURE NO. 045-0082
200 West Front Street Wheaton, IL 60187	DATE: 2-01-2006
	DRAWN BY JLA CHECKED BY GBC

 DELTA ENGINEERING, INC. CONSULTING ENGINEERS, CHICAGO ILLINOIS.

5/15/2005 K:\110221\Structures\IL-47 over I-88\Final_Plans_Review.dgn