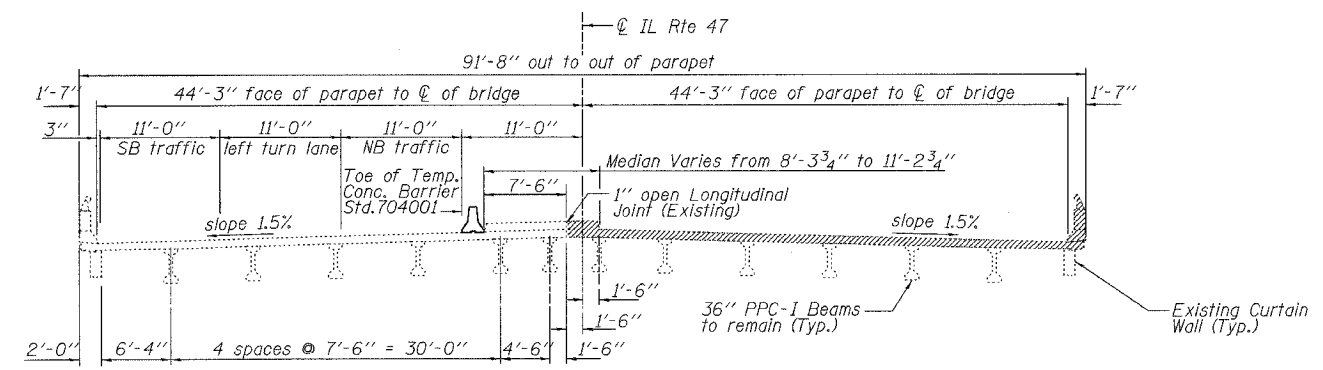
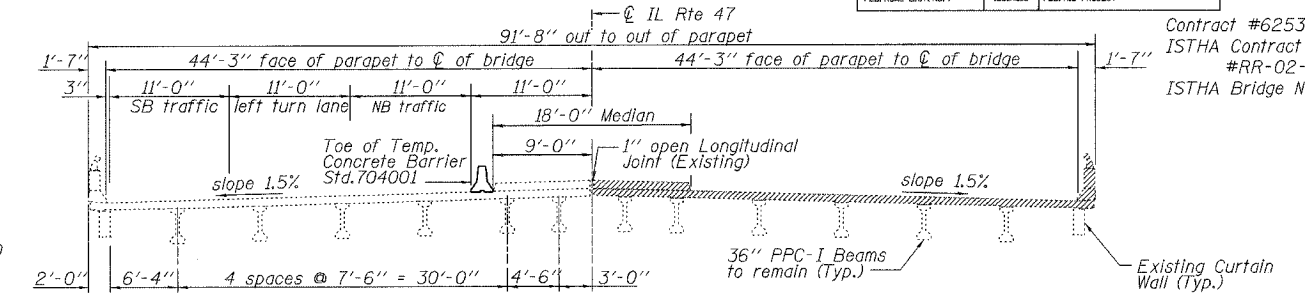


ROUTE NO.	SECTION	COUNTY	TOTAL SHEETS	SHEET NO.	SHEET NO.
F.A.P. 326	0910-1BR-84	KANE	62	22	32 SHEETS
FED. ROAD DIST. NO. 7	ILLINOIS	FED. AID PROJECT			

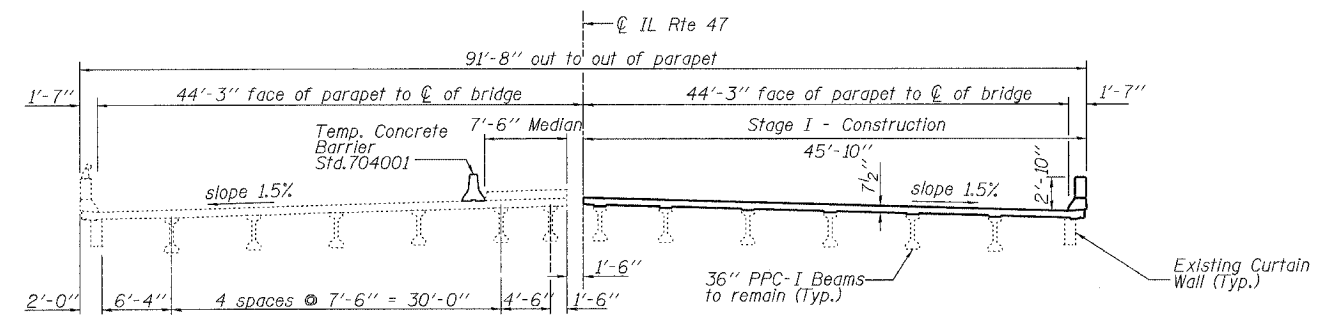
Contract #62531
 ISTHA Contract #RR-02-5129
 ISTHA Bridge No. 1101



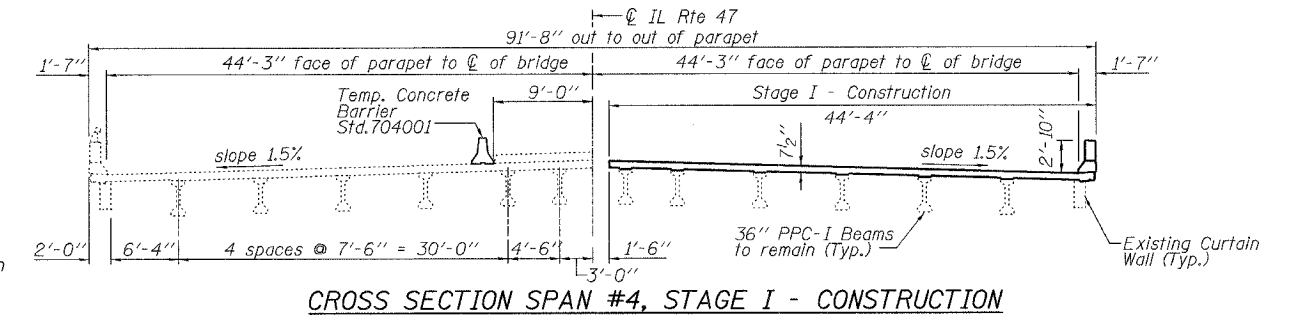
CROSS SECTION SPAN #1, STAGE I - REMOVAL
 (Looking North)



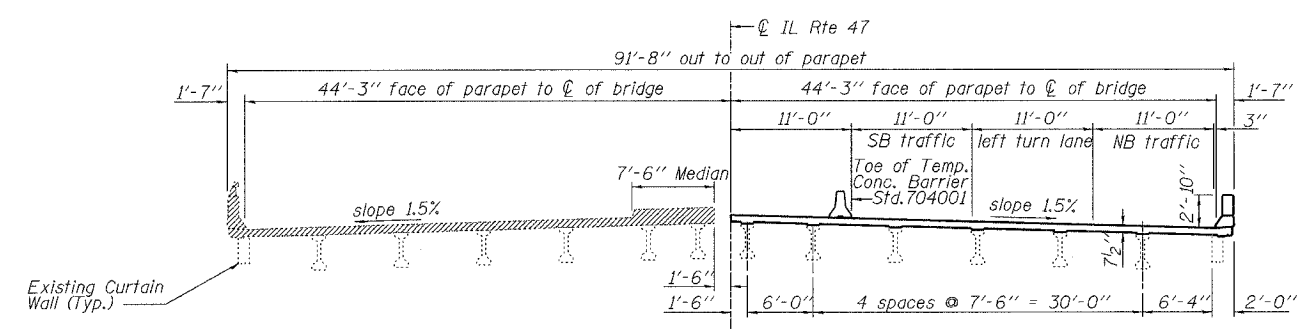
CROSS SECTION SPAN #4, STAGE I - REMOVAL
 (Looking North)



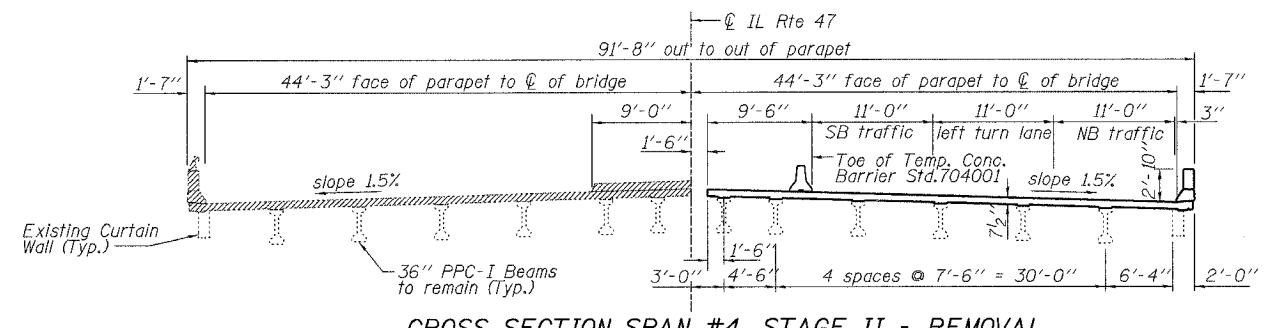
CROSS SECTION SPAN #1, STAGE I - CONSTRUCTION
 (Looking North)



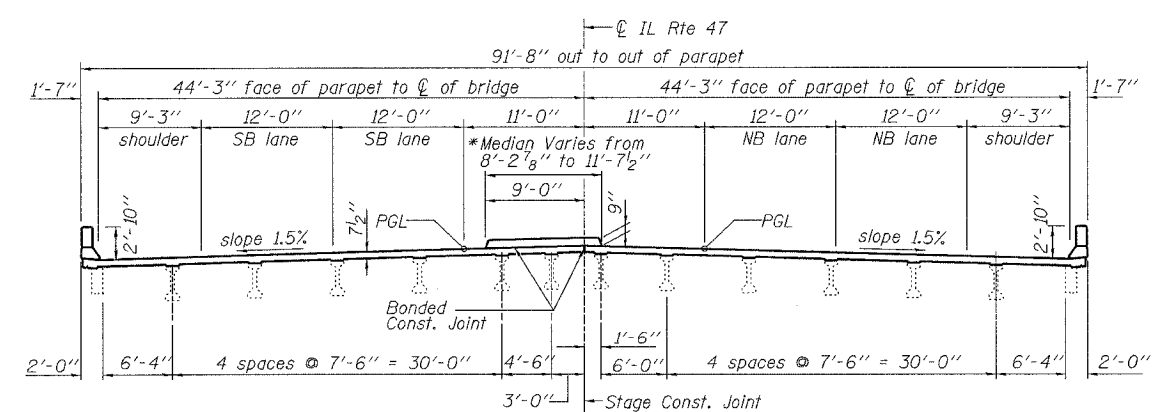
CROSS SECTION SPAN #4, STAGE I - CONSTRUCTION
 (Looking North)



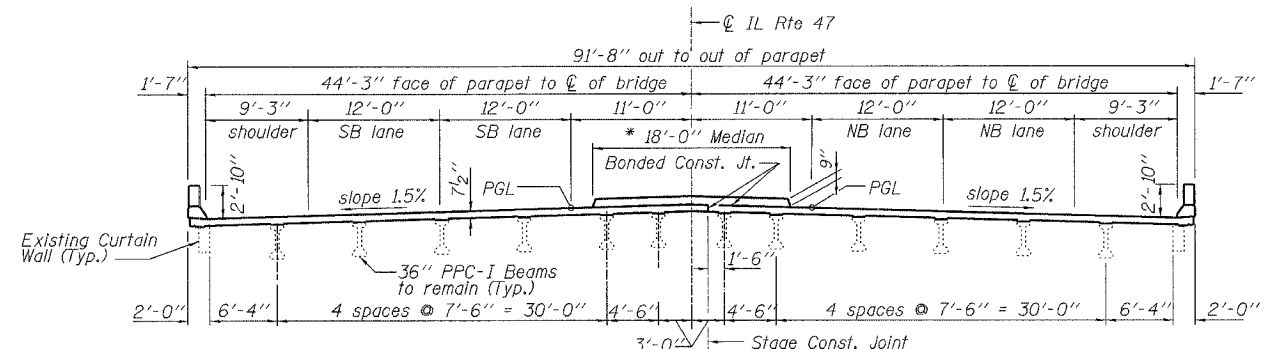
CROSS SECTION SPAN #1, STAGE II - REMOVAL
 (Looking North)



CROSS SECTION SPAN #4, STAGE II - REMOVAL
 (Looking North)



CROSS SECTION SPAN #1, STAGE II - CONSTRUCTION
 (Looking North)



CROSS SECTION SPAN #4, STAGE II - CONSTRUCTION
 (Looking North)

NOTE:
 Removal of the existing bridge rail is included with Removal of Existing Superstructures.

* Median to be constructed after completion of Stage II - Construction.

LEGEND:
 Superstructure Removal

DETA ENGINEERING, INC.
 CONSULTING ENGINEERS, CHICAGO ILLINOIS.

rjngroup
 Excellence through Ownership
 200 West Front Street
 Wheaton, IL 60187

ILLINOIS DEPARTMENT OF TRANSPORTATION
 STAGE CONSTRUCTION - APPROACH
 IL RTE. 47 OVER I-88 (E-W TOLLWAY)
 KANE COUNTY
 STRUCTURE NO. 045-0082
 DATE: 2-01-2006
 DRAWN BY JLA
 CHECKED BY GBC

5/5/2006 K:\11182521\Structures\IL-47 over I-88\Final Plans_Revand.dgn