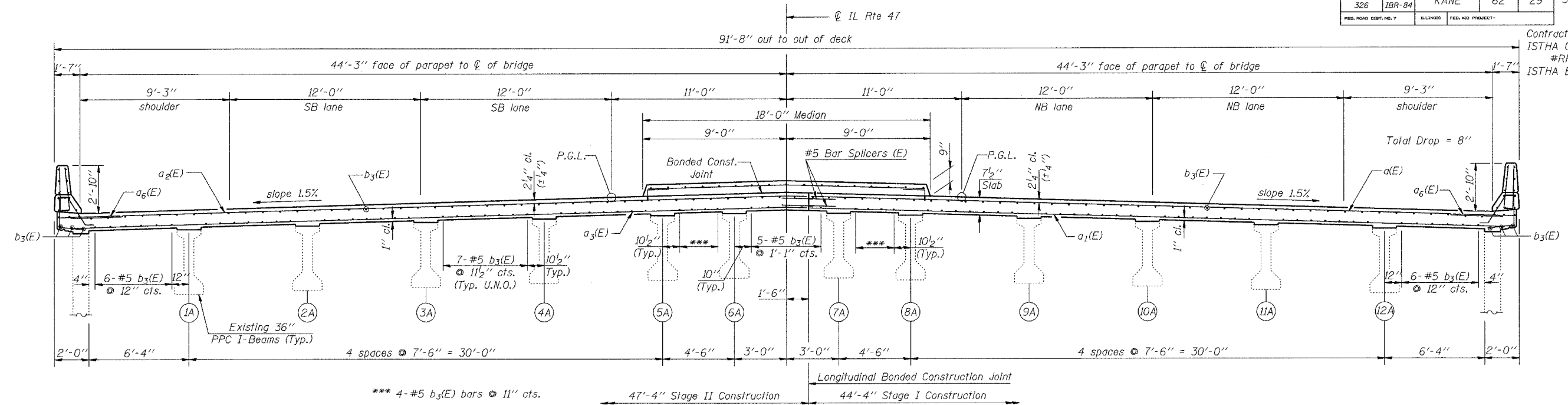
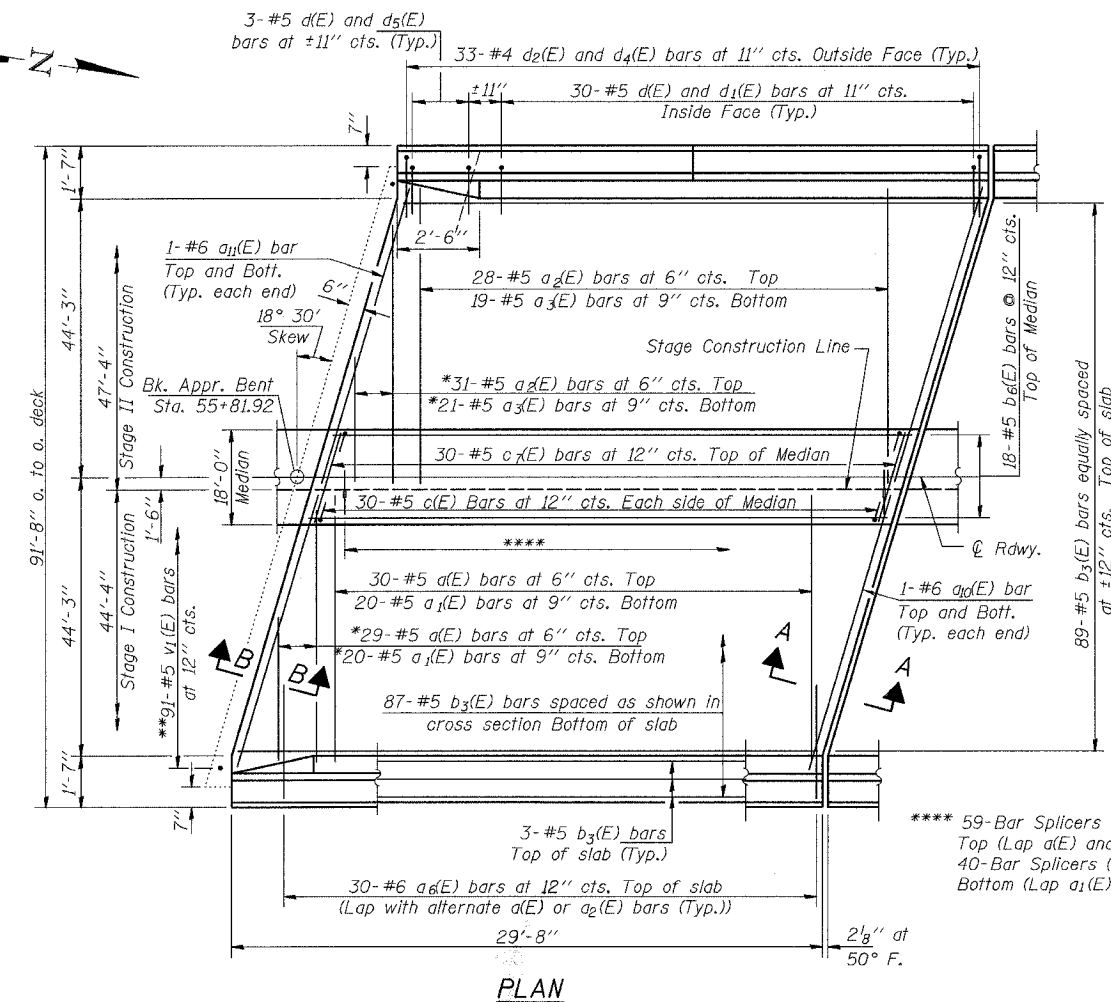


ROUTE NO. F.A.P. 326	SECTION 0910- IBR-84	COUNTY KANE	SHEETS 62	SHEET 29	SHEET NO. 11 32 SHEETS
FED. ROAD DIST. NO. 7		ALLIANCE	FED. ROAD PROJECT		

Contract #62531  
 ISTHA Contract  
 #RR-02-5129  
 ISTHA Bridge No. 1101



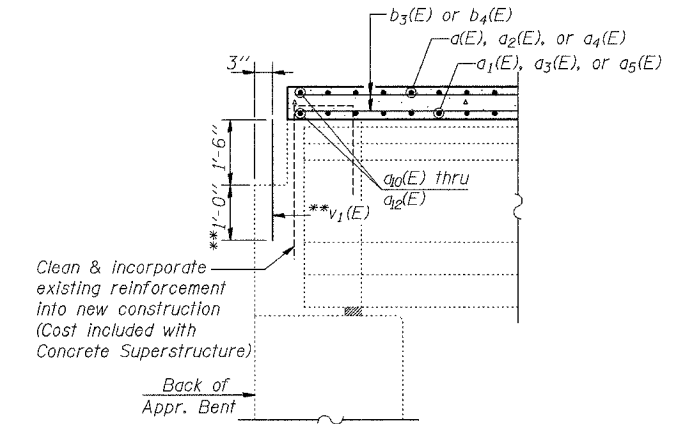
**CROSS SECTION SPAN #4**  
 (Looking North)



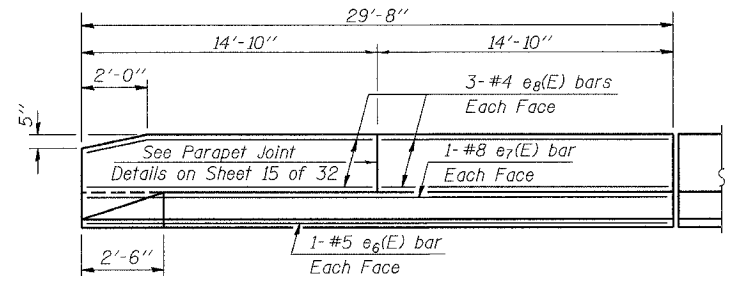
**PLAN**

\*\*Field drill and epoxy grout in place according to Article 584 of the Standard Specifications. Cost of drilling and grouting is included with Reinforcement Bars, Epoxy Coated.

\* Order a(E) thru a3(E) bars full length. Cut to fit skew and use remainder of bars in opposite end.



**SECTION B-B**



**INSIDE ELEVATION OF PARAPET**

**NOTES**

Median to be constructed after completion of Stage II Construction.

See Sheet 16 of 32 for Section A-A.

See Sheet 12 of 32 for Median and Parapet Details, and Bill of Material.

U.N.O. = Unless Noted Otherwise

<p>Excellence through Ownership</p> <p>200 West Front Street Wheaton, IL 60187</p>	ILLINOIS DEPARTMENT OF TRANSPORTATION SOUTH VAULTED SPAN IL RTE. 47 OVER I-88 (E-W TOLLWAY) KANE COUNTY STRUCTURE NO. 045-0082
	DRAWN BY BLB CHECKED BY WJV DATE: 2-01-2006

5/5/2006 K:\1102521\Structures\IL-47 over I-88\Final\Plans\_Review.dgn