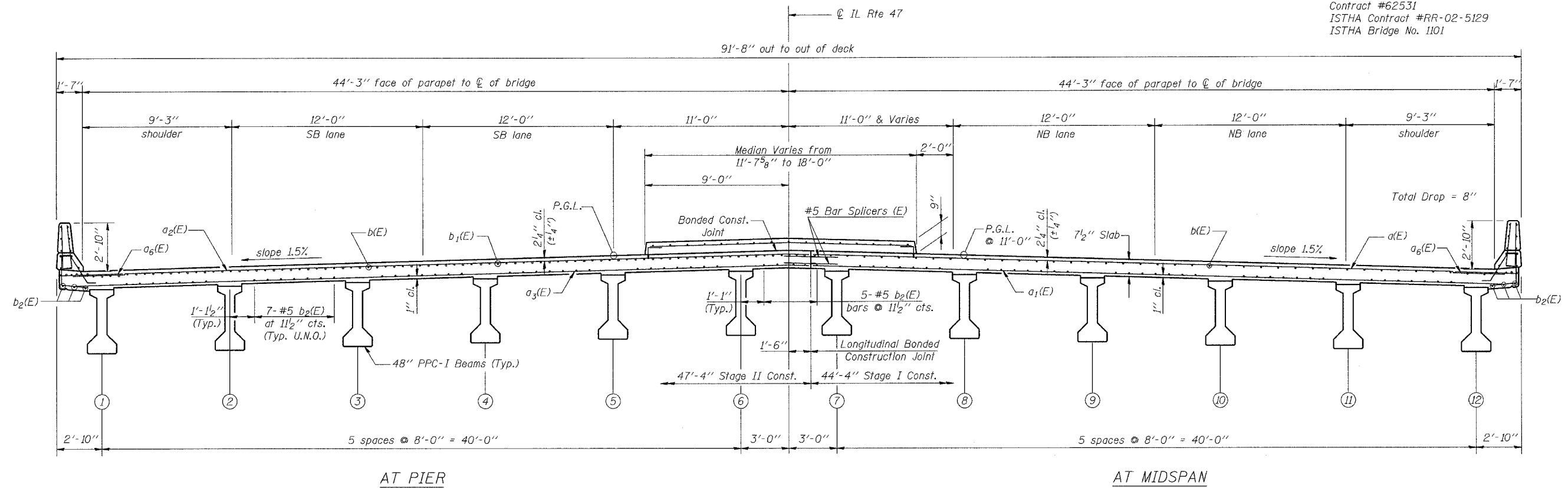


ROUTE NO.	SECTION	COUNTY	SHEETS	SHEET	SHEET NO.
F.A.P. 326	0910- IBR-84	KANE	62	32	14
FED. ROAD DIST. NO. 7		ILLINOIS	FED. AID PROJECT		

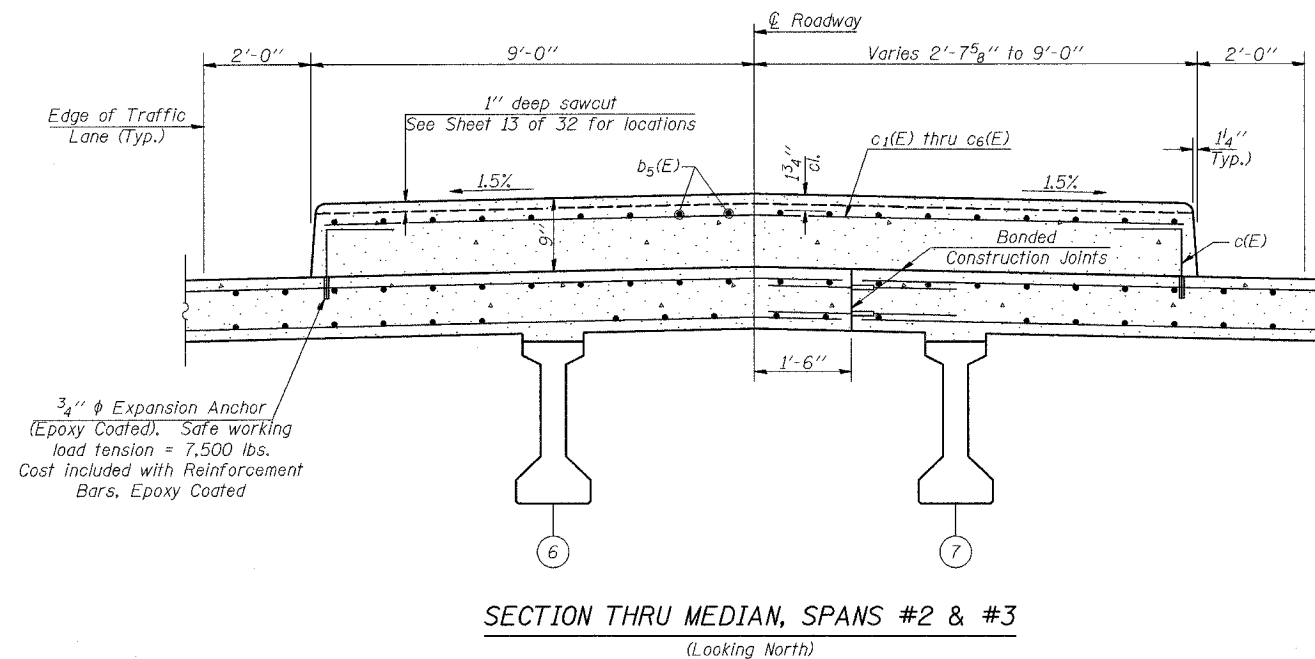
Contract #62531
 ISTHA Contract #RR-02-5129
 ISTHA Bridge No. 1101



CROSS SECTION SPAN #2 & #3
 (Looking North)

NOTES

- Median to be constructed after completion of Stage II Construction.
- See Sheet 15 of 32 for Parapet Details.
- U.N.O. = Unless Noted Otherwise



SECTION THRU MEDIAN, SPANS #2 & #3
 (Looking North)

rjngroup
 Excellence through Ownership

200 West Front Street
 Wheaton, IL 60187

ILLINOIS DEPARTMENT OF TRANSPORTATION
 SUPERSTRUCTURE DETAILS - I
 IL RTE. 47 OVER I-88 (E-W TOLLWAY)
 KANE COUNTY
 STRUCTURE NO. 045-0082

DATE: 2-01-2006
 DRAWN BY: BLB
 CHECKED BY: WJV