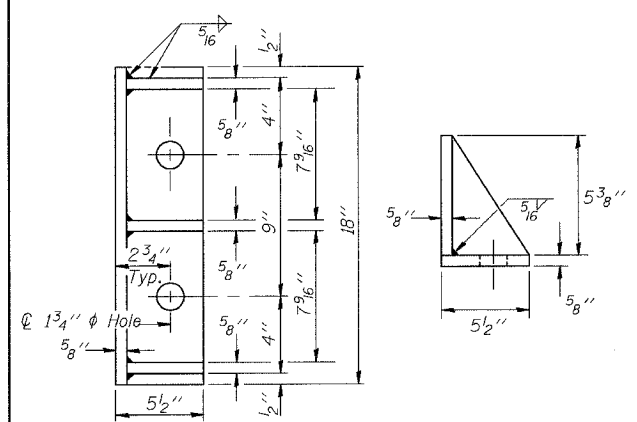


ROUTE NO.	SECTION	COUNTY	TOTAL SHEETS	SHEET NO.	SHEET NO.
F.A.P. 326	0910-IBR-84	KANE	62	34	32 SHEETS
FED. ROAD DIST. NO. 7	ILLINOIS	FED. AID PROJECT			

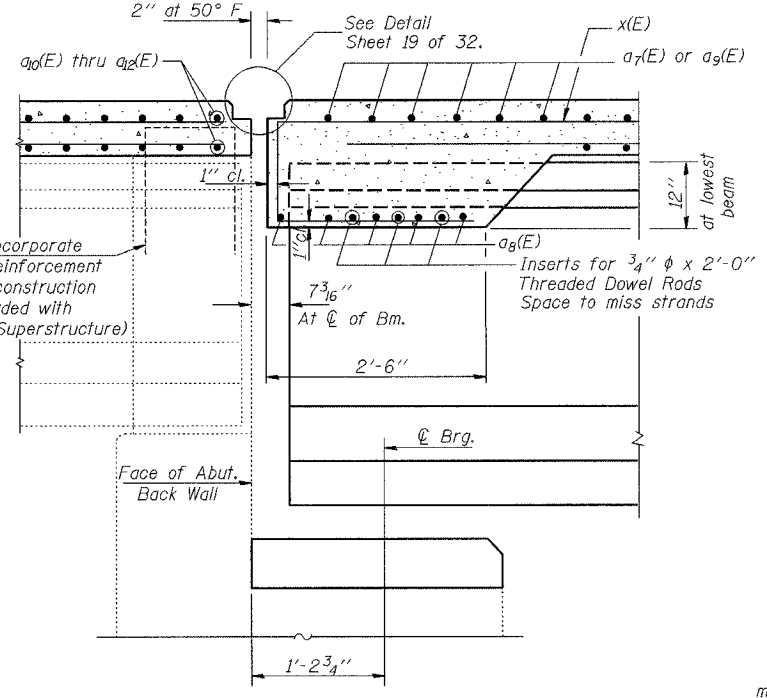
Contract #62531  
 ISTHA Contract #RR-02-5129  
 ISTHA Bridge No. 1101



**SIDE RETAINER FOR PIER**

Equivalent rolled angle with stiffeners will be allowed in lieu of welded plates.

Cost of Side Retainers and Anchor Bolts shall be included with the unit bid price for Concrete Superstructure.

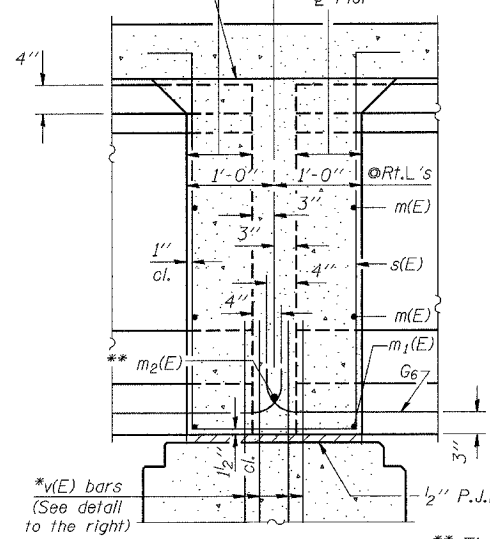


**SECTION A-A AT ABUTMENT (at Rt. Ls.)**

Pour diaphragm flush with bott. of slab. Concrete in slab above this line shall be placed not less than 45 min. nor more than 90 min. after diaphragm has been poured.

Roofing felt shall be bonded to side of beam embedded into diaphragm.

\*Field drill and epoxy grout in place according to Article 584 of the Standard Specifications. Cost of drilling and grouting is included with Reinforcement Bars, Epoxy Coated.

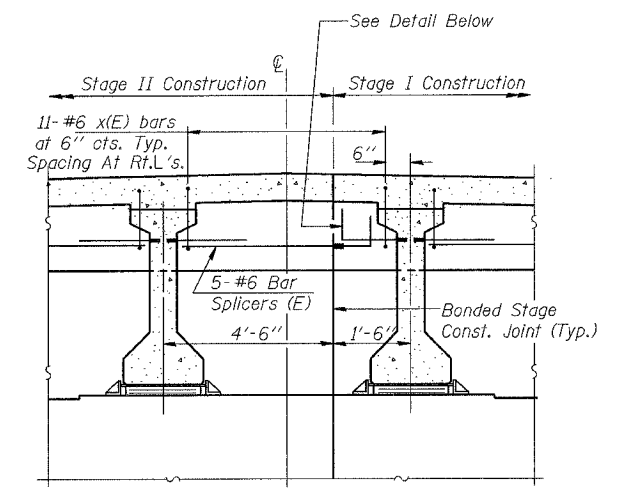


**SECTION C-C AT PIER (Fixed)**

Note: Horizontal dimensions are along  $\bar{C}$  of beam unless otherwise noted.

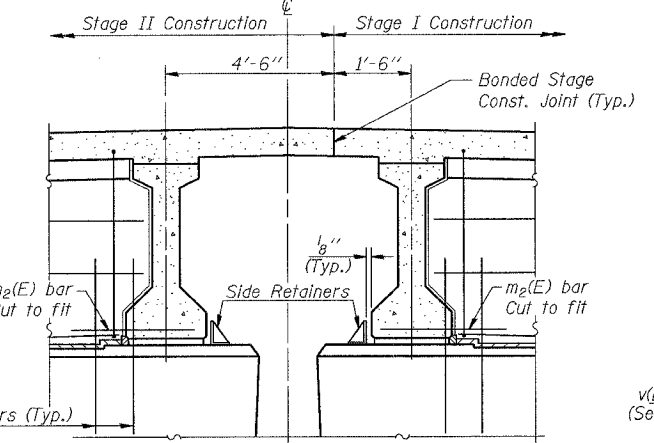
\*\*Tightly fasten the #8 bars together with No. 9 wire ties.

Cost of 90 lb. roofing felt, Fabric Brg. Pads and P.J.F. is included with "Concrete Superstructure".

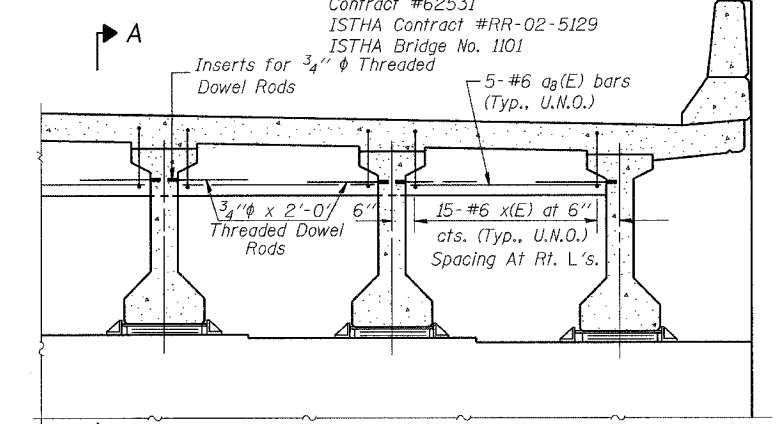


**DIAPHRAGM AT NORTH ABUTMENT STAGE CONSTRUCTION (Looking North)**

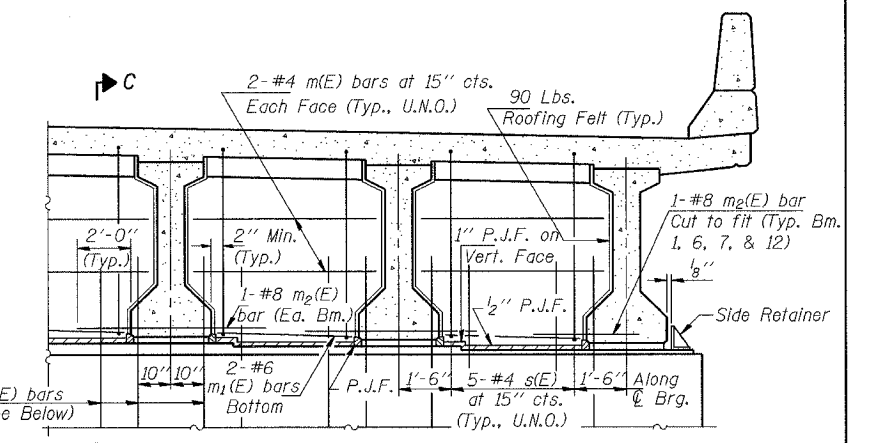
Diaphragm at South abutment is the same but mirrored



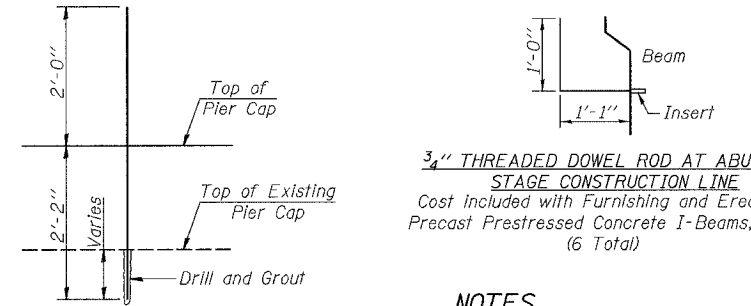
**PIER AT STAGE CONSTRUCTION LINE (Looking North)**



**DIAPHRAGM AT NORTH ABUTMENT (Looking North)**



**DIAPHRAGM AT PIER (Fixed) (Looking North)**



**BEARING PAD DETAIL AT PIER**

3/4" THREADED DOWEL ROD AT ABUTMENT STAGE CONSTRUCTION LINE  
 Cost included with Furnishing and Erecting Precast Prestressed Concrete I-Beams, 48" (6 Total)

**NOTES**

U.N.O. = Unless Noted Otherwise  
 See Sheet 15 of 32 for Bill of Material.

**rjngroup**  
 Excellence through Ownership  
 200 West Front Street  
 Wheaton, IL 60187

ILLINOIS DEPARTMENT OF TRANSPORTATION  
 SUPERSTRUCTURE DETAILS - III  
 IL RTE. 47 OVER I-88 (E-W TOLLWAY)  
 KANE COUNTY  
 STRUCTURE NO. 045-0082  
 DRAWN BY BLB  
 CHECKED BY WJV  
 DATE: 2-01-2006

K:\11102521\Structures\IL-47 over I-88\Final\_Plan\_Review.dwg 5/5/2006