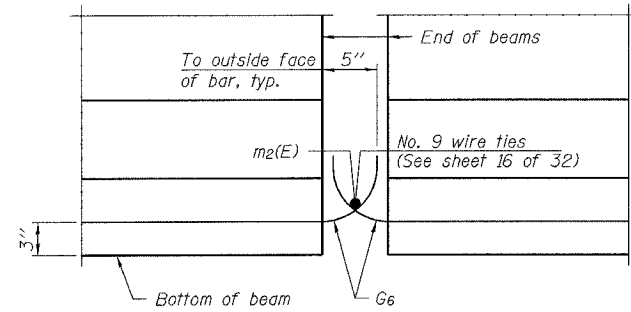


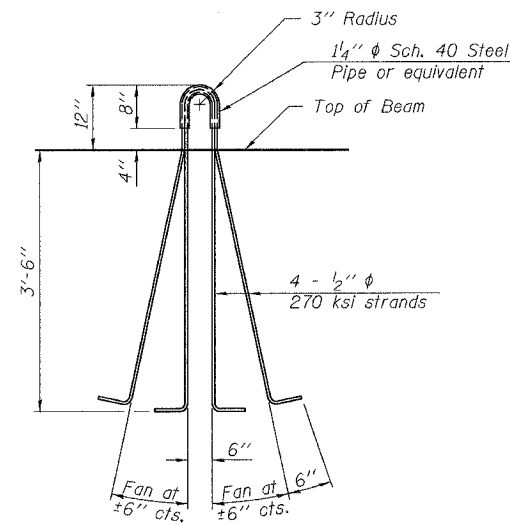
Contract #62531
 ISTHA Contract #RR-02-5129
 ISTHA Bridge No. 1101

NOTES

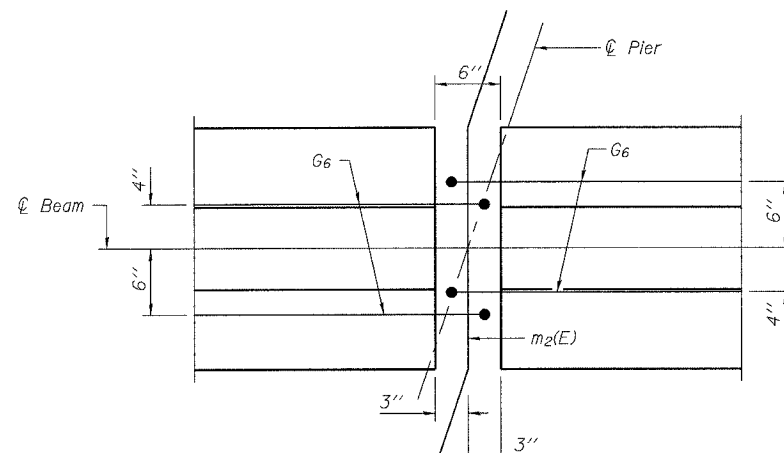
Inserts for $\frac{3}{4}$ " ϕ threaded dowel rods, when specified, are to be two strut, coil type for interior beams and single coil, flared loop type for exterior beams.
 Prestressing steel shall be uncoated high strength, low relaxation 7-wire strand, Grade 270.
 The nominal diameter shall be $\frac{1}{2}$ " and the nominal cross-sectional area shall be 0.153 sq. in.
 Non-prestressing steel shall conform to AASHTO designation M-31 or M 322, Grade 60.
 A minimum $2\frac{1}{2}$ " ϕ lifting pin shall be used to engage the lifting loops during handling.
 Reinforcement bars designated (E) shall be epoxy coated.
 Cut G_6 bars when necessary to maintain $\frac{1}{2}$ " clearance.
 The bottom plates and studs shall be galvanized according to AASHTO M111 and ASTM A385.
 Threaded rods shall be ASTM F 1554 Grade 55.
 The cut strands at each beam end shall be given two coats of zinc dust spray or paint meeting the requirements of ASTM A 780. The zinc dust spray or paint shall be applied before corrosion appears and allowed to dry according to the manufacturer's specifications prior to another coat of zinc. A concrete sealer meeting the requirements of Section 587 of the Standard Specifications shall be applied to all portions of the I-beam or Bulb-T beam, except the top surface of the top flange and the bottom surface of the bottom flange, starting at each beam end and extending out a distance of 48 inches. The sealer shall be applied after visible crack growth has subsided. This work shall be performed by the producer and included with the cost of the beam.



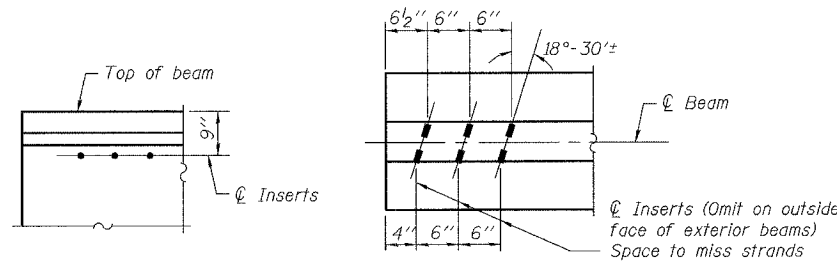
ELEVATION OF BEAM AT PIER



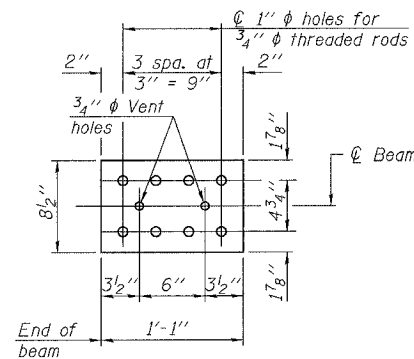
LIFTING LOOP DETAIL



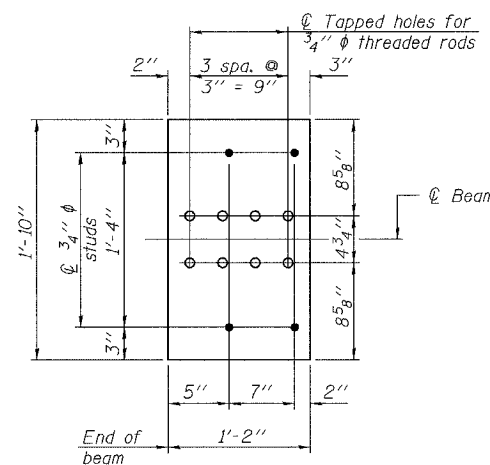
PLAN OF BEAM AT PIER



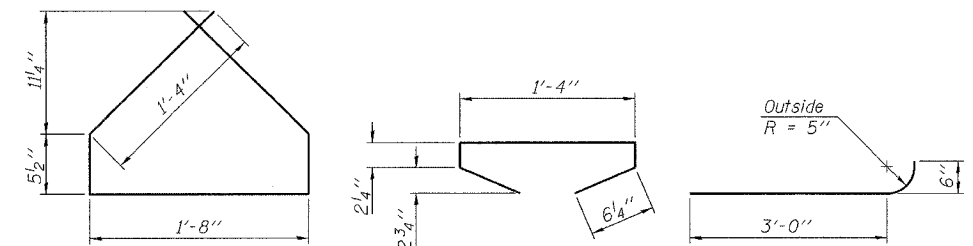
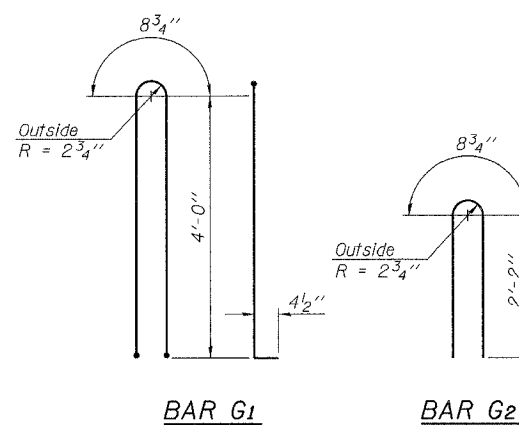
ELEVATION INSERT DETAIL AT ABUTMENT END OF BEAM



TOP PLATE



BOTTOM PLATE
 See bearing details for pintle hole locations when required.



BAR G4

BAR G5

BAR G6

BILL OF MATERIAL

Item	Unit	Total
Furnishing and Erecting Precast Prestressed Concrete I-Beams, 48"	Ft.	1984

<p>Excellence through Ownership</p> <p>200 West Front Street Wheaton, IL 60187</p>	ILLINOIS DEPARTMENT OF TRANSPORTATION 48" P.P.C. I-BEAM DETAILS IL RTE. 47 OVER I-88 (E-W TOLLWAY) KANE COUNTY STRUCTURE NO. 045-0082
	DRAWN BY NSR CHECKED BY WJV DATE: 2-01-2006