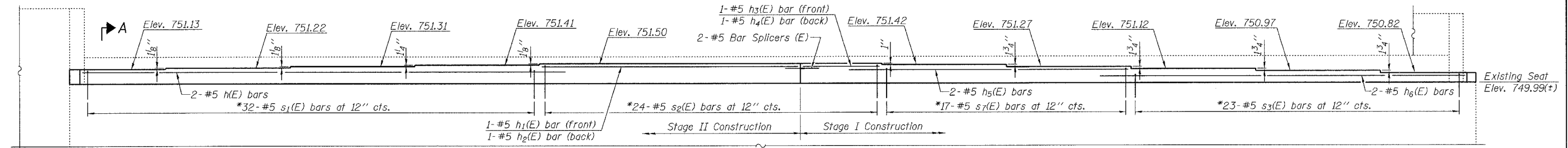
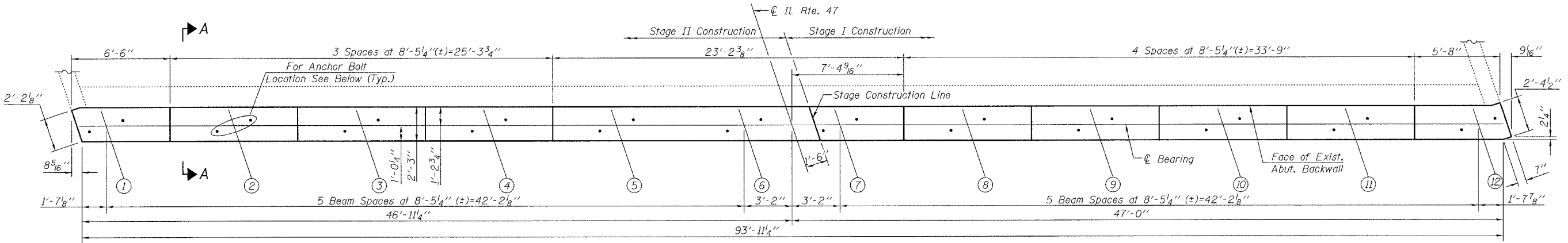


Contract #62531  
 ISTHA Contract #RR-02-5129  
 ISTHA Bridge No. 1101



**ELEVATION**  
(Looking North)



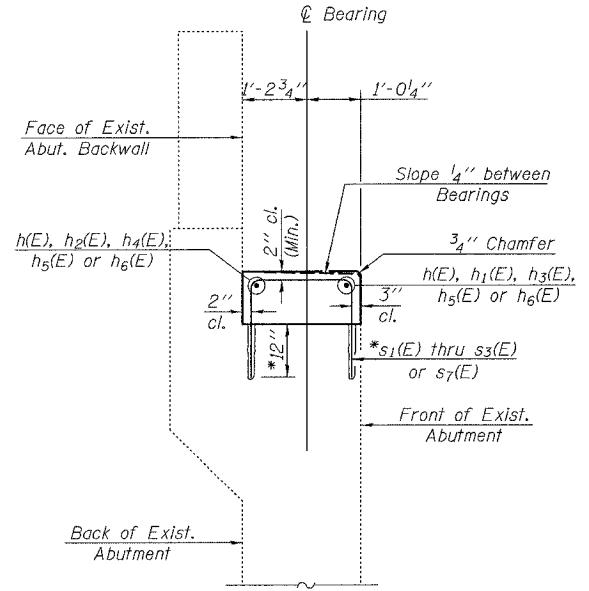
**PLAN**

**BILL OF MATERIAL**

Bar	No.	Size	Length	Shape
h(E)	2	#5	33'-0"	—
h1(E)	1	#5	17'-4"	—
h2(E)	1	#5	16'-9"	—
h3(E)	1	#5	5'-3"	—
h4(E)	1	#5	5'-10"	—
h5(E)	2	#5	18'-9"	—
h6(E)	2	#5	24'-6"	—
s1(E)	32	#5	5'-8"	□
s2(E)	24	#5	6'-6"	□
s3(E)	23	#5	5'-2"	□
s7(E)	17	#5	6'-0"	□

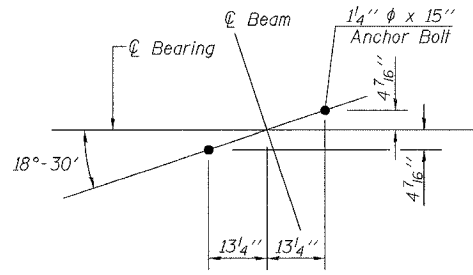
Concrete Structures	Cu. Yd.	10.1
Reinforcement Bars, Epoxy Coated	Pound	790
Bridge Seat Sealer	Sq. Ft.	215
Bar Splicers	Each	2

Reinforcement bars designated (E) shall be epoxy coated.



**SECTION A-A**

\*Field drill and epoxy grout in place according to Article 584 of the Standard Specifications. Cost of drilling and grouting is included with Reinforcement Bars, Epoxy Coated.



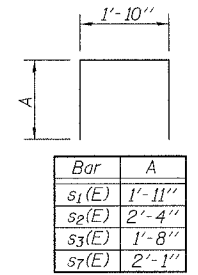
**ANCHOR BOLT LOCATION DETAIL**  
(Typical for all beams)

**NOTES**

- See Sheet 24 of 32 for Anchor Bolt installation.
- Space reinforcement in cap to miss anchor bolts.
- Reinforcement bars designated (E) shall be epoxy coated.
- Pour steps monolithically with cap.
- All edges shall have standard 3/4" chamfers.

All surfaces where new concrete is cast against existing concrete shall be Bonded Construction Joints, in accordance with Article 503.09(b)(2) of the Standard Specifications.

**BARS s1(E) THRU s3(E), s7(E)**



Bar	A
s1(E)	1'-11"
s2(E)	2'-4"
s3(E)	1'-8"
s7(E)	2'-1"

**rjngroup**  
 Excellence through Ownership  
 200 West Front Street  
 Wheaton, IL 60187

ILLINOIS DEPARTMENT OF TRANSPORTATION  
 NORTH ABUTMENT DETAILS  
 IL RTE. 47 OVER I-88 (E-W TOLLWAY)  
 KANE COUNTY  
 STRUCTURE NO. 045-0082

DATE: 2-01-2006  
 DRAWN BY: BLB  
 CHECKED BY: WJV