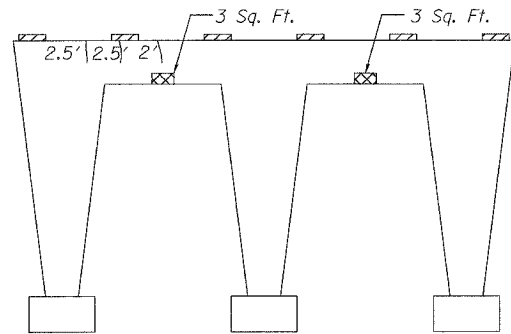
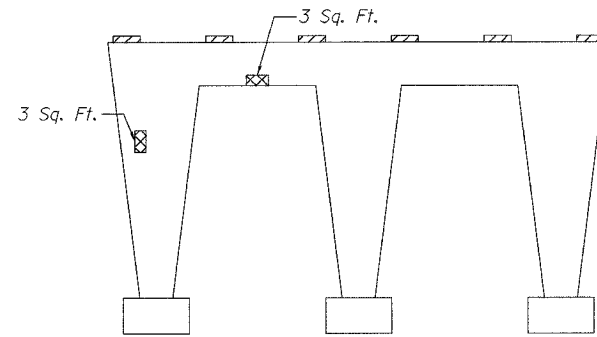


Contract #62531
 ISTHA Contract #RR-02-5129
 ISTHA Bridge No. 1101



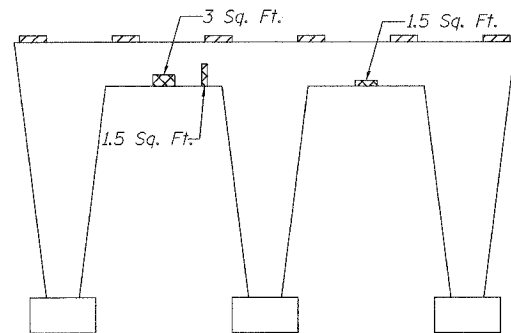
EAST PIER ELEVATION
NORTH FACE



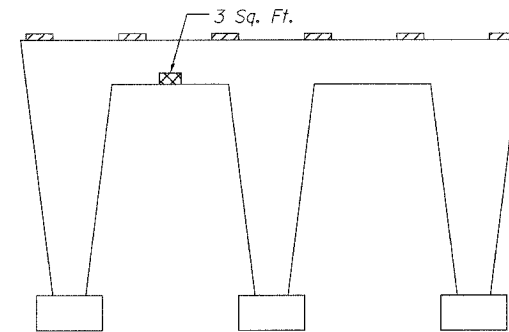
WEST PIER ELEVATION
NORTH FACE

LEGEND:

- Epoxy Crack Sealing
- Structural Repair of Concrete (Depth Equal To or Less Than 5")
- Concrete Removal



EAST PIER ELEVATION
SOUTH FACE



WEST PIER ELEVATION
SOUTH FACE

BILL OF MATERIAL

PAY ITEM	UNIT	EAST PIER	WEST PIER	TOTAL
Structural Repair of Concrete (Depth Equal To or Less Than 5")	Sq. Ft.	12	9	21
Epoxy Crack Sealing	Foot	7	0	7
Concrete Removal	Cu. Yd.	0.9	0.6	1.5

5/5/2006 K:\118252\Structures\IL-47 over I-88\Final\Plans_Revstd.dgn

rjngroup
 Excellence through Ownership

200 West Front Street
 Wheaton, IL 60187



DELTA ENGINEERING, INC.
 CONSULTING ENGINEERS, CHICAGO ILLINOIS.

ILLINOIS DEPARTMENT OF TRANSPORTATION
 PIER REPAIRS
 IL RTE. 47 OVER I-88 (E-W TOLLWAY)
 KANE COUNTY
 STRUCTURE NO. 045-0082

DATE: 2-01-2006
 DRAWN BY JLA
 CHECKED BY GBC