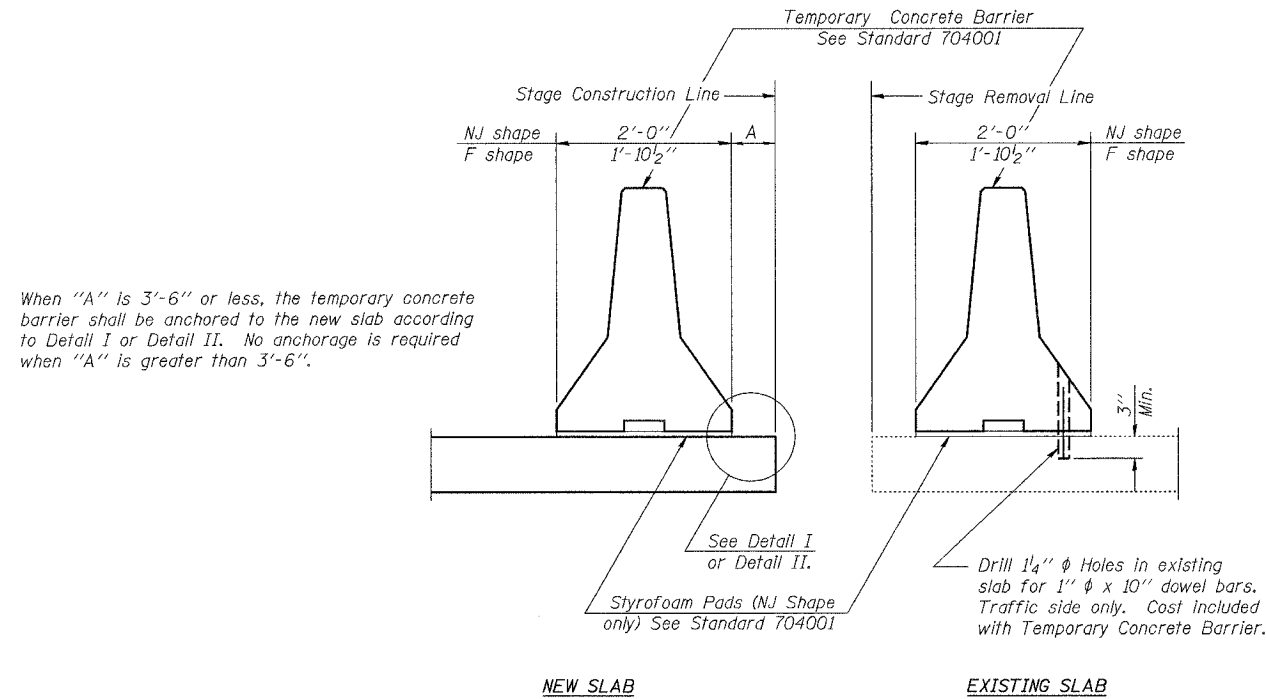


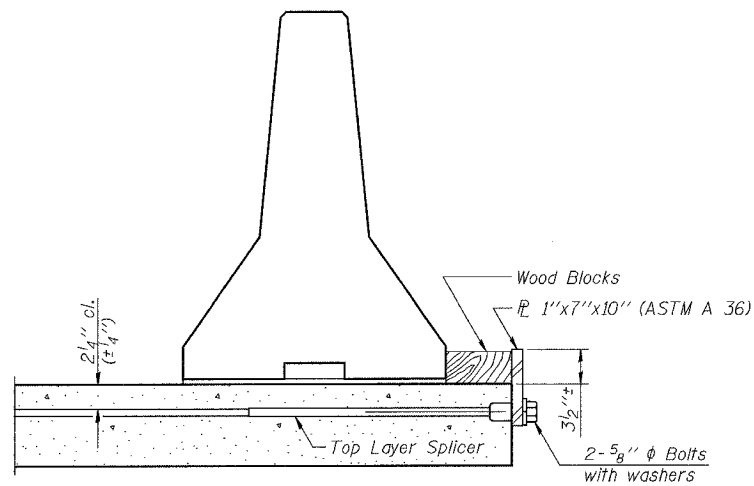
PROJECT NO.	SECTION	COUNTY	TOTAL SHEETS	SHEET NO.
F.A.P. 326	0910-IBR-84	KANE	62	50
ILLINOIS DIST. NO. 7	ILLINOIS	ILLINOIS PROJECT		

SHEET NO. 32
32 SHEETS

Contract #62531
ISTHA Contract #RR-02-5129
ISTHA Bridge No. 1101

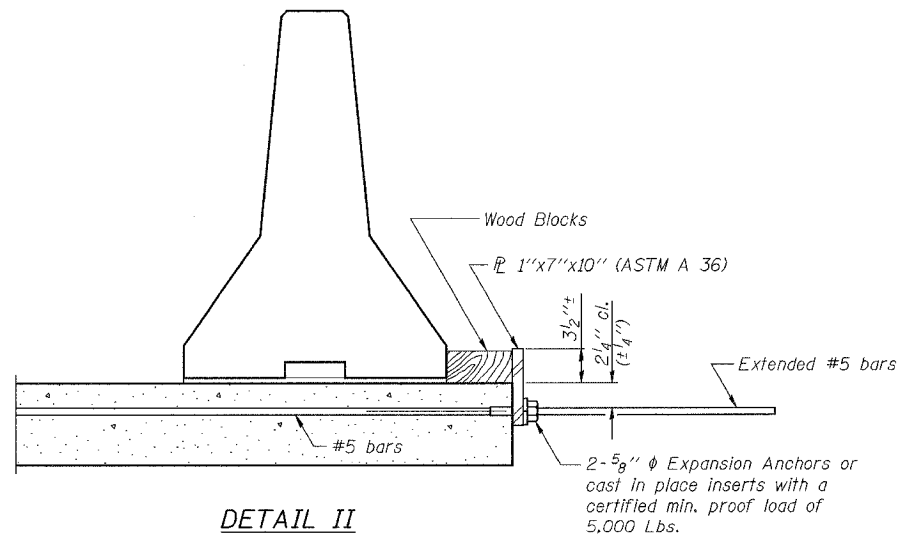


SECTIONS THRU SLAB



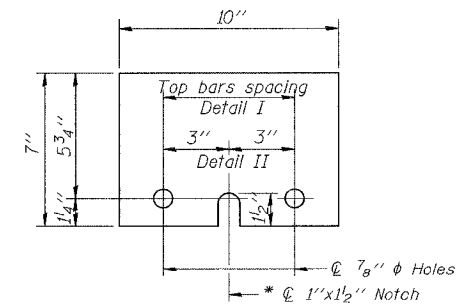
DETAIL I

The 1" x 7" x 10" Plate shall not be removed until Stage II Construction forms and reinforcement bars are in place.



DETAIL II

The 1" x 7" x 10" Plate shall not be removed until Stage II Construction forms and all reinforcement bars are in place and the concrete is ready to be placed.



1" x 7" x 10"

* Required only with Detail II

rjngroup

Excellence through Ownership

200 West Front Street
Wheaton, IL 60187

ILLINOIS DEPARTMENT OF TRANSPORTATION
TEMPORARY CONCRETE BARRIER
FOR STAGE CONSTRUCTION
IL RTE. 47 OVER I-88 (E-W TOLLWAY)
KANE COUNTY
STRUCTURE NO. 045-0082

DRAWN BY BLB

DATE: 2-01-2006

CHECKED BY WJV