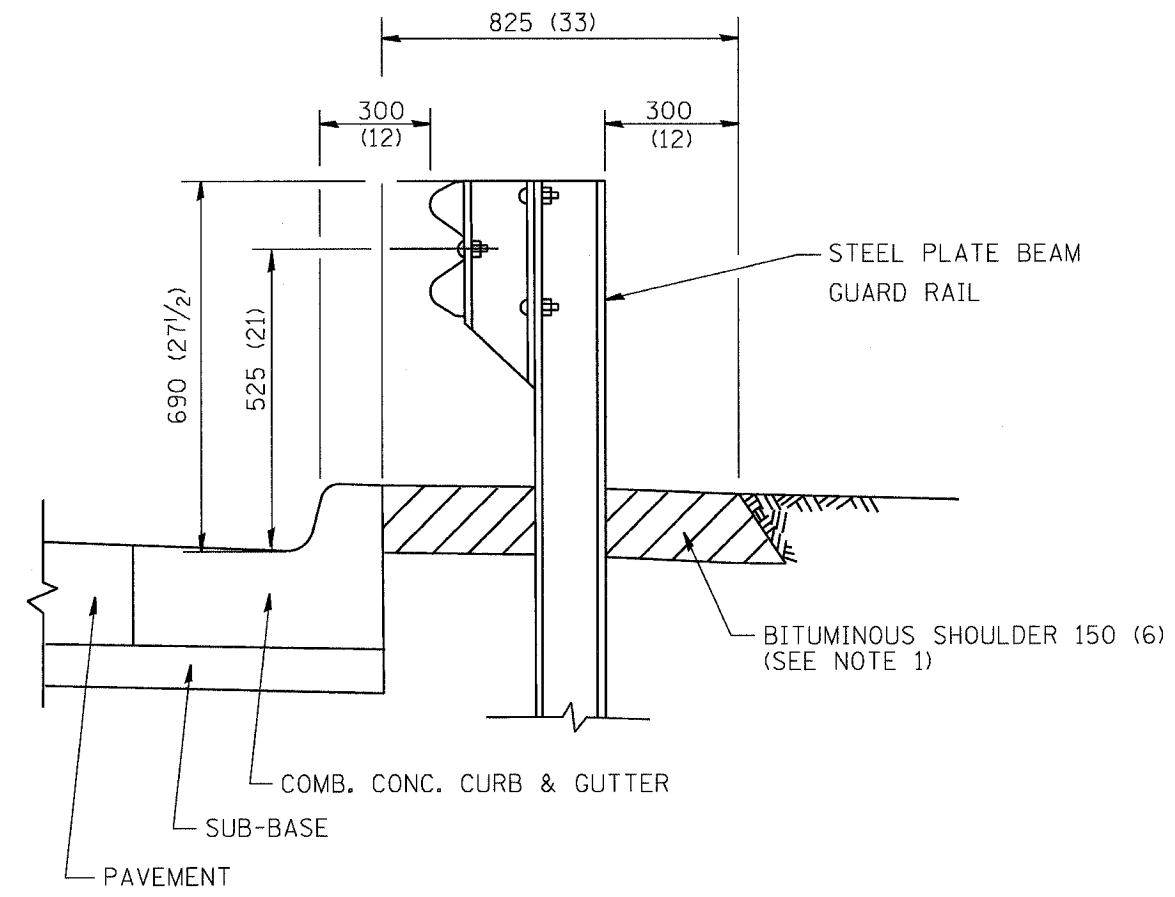


CONTRACT NO.				
F.A.P. RTE.	SECTION	COUNTY	TOTAL SHEETS	SHEET NO.
326	E-0-4-B	LAKE	62	51
STA.		TO STA.		
FED. ROAD DIST. NO.		ILLINOIS FED. AID PROJECT		



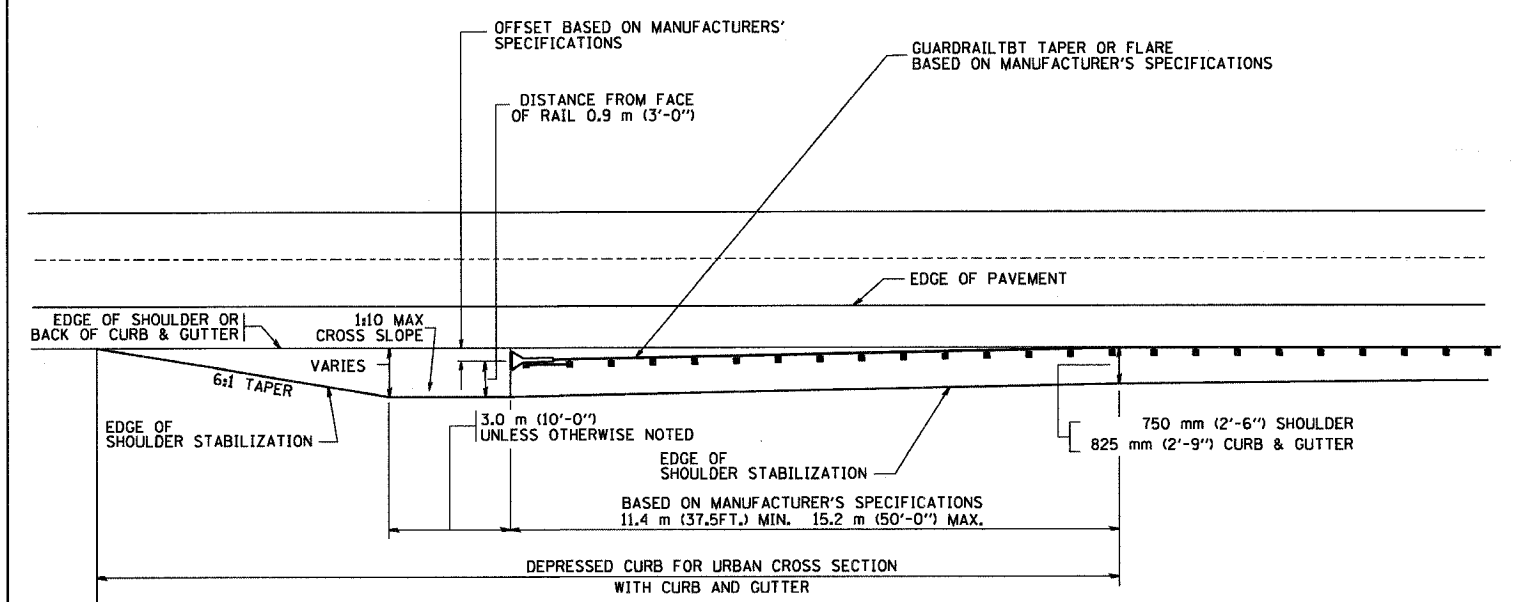
- NOTES: 1. THE BITUMINOUS SHOULDER SHALL EXTEND UNDER THE TRAFFIC BARRIER TERMINAL
2. GUARD RAIL MAY BE PLACED AT THE BACK OF CURB WHEN DIRECTED BY THE ENGINEER.

BASIS OF PAYMENT: BITUMINOUS SHOULDER 150 (6) WILL BE PAID FOR AT THE CONTRACT UNIT PRICE PER m<sup>2</sup> (sq. yd.) AS "BITUMINOUS SHOULDER 150 (6)."

STEEL PLATE BEAM GUARD RAIL AND TRAFFIC BARRIER TERMINAL, OF THE TYPE SPECIFIED WILL BE PAID FOR SEPARATELY.

**DETAILS FOR STEEL PLATE BEAM GUARD RAIL ADJACENT TO CURB AND GUTTER**  
 [FOR ROADWAY SPEED 60 kmh (35 MPH) TO 70 kmh (45 MPH)]

PLT DATE = 2/15/2006  
 FILE NAME = M:\Users\mshah\p34.dgn  
 PLOT SCALE = 481(18.5233) 1/16"  
 USER NAME = mshah



**STABILIZATION AT TBT TY. 1 SPL.**

ALL DIMENSIONS ARE IN MILLIMETERS (INCHES) UNLESS OTHERWISE SHOWN.

REVISIONS	
NAME	DATE
M. DE YONG	09-22-90
M. DE YONG	07-14-92
R. SHAH	09/09/94
R. SHAH	10/25/94
R. SHAH	02/23/95
A. ABBAS	03/21/97
E. GOMEZ	08/28/00

ILLINOIS DEPARTMENT OF TRANSPORTATION

**DETAILS FOR STEEL PLATE BEAM GUARD RAIL ADJACENT TO CURB AND GUTTER STABILIZATION AT TBT TY 1 SPL.**

SCALE: VERT. \_\_\_\_\_  
 HORIZ. \_\_\_\_\_

DATE: 2/15/2006

DRAWN BY: jls  
 CHECKED BY: \_\_\_\_\_