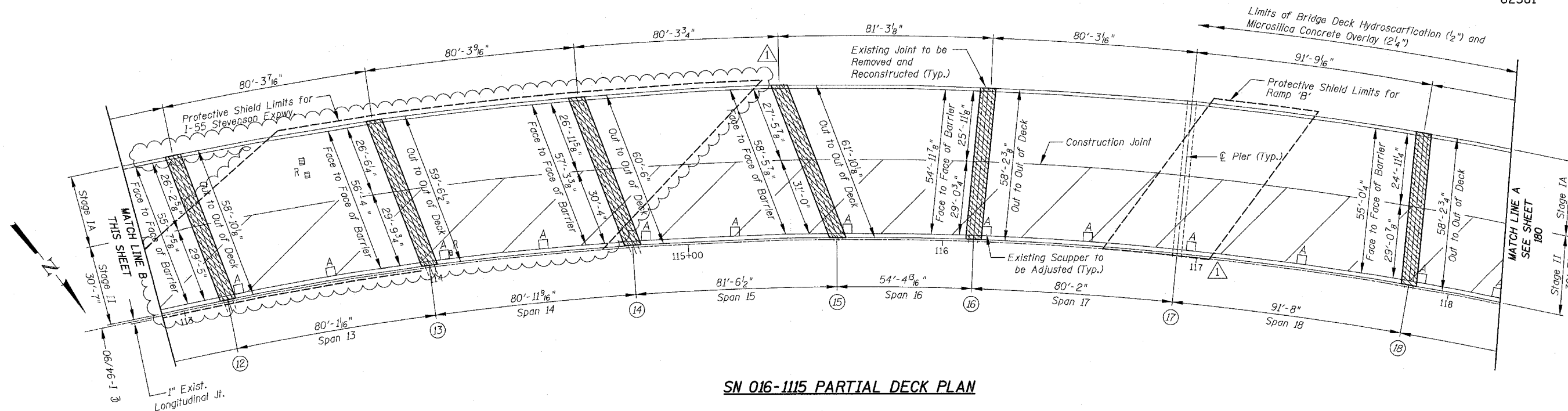
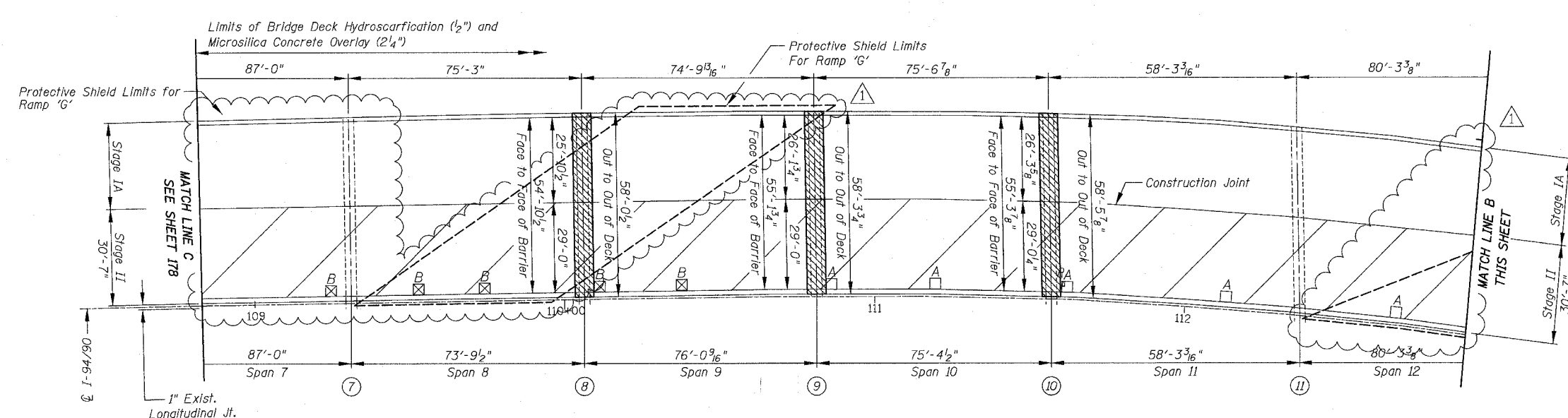


F.A.I.	SECTION	COUNTY	TOTAL SHEETS	SHEET NO.
94/90	2003-0291	COOK	344	179
STA.	TO STA.			
FED. ROAD DIST. NO.	ILLINOIS	FED. AID PROJECT		

62581



SN 016-1115 PARTIAL DECK PLAN



SN 016-1115 PARTIAL DECK PLAN

REVISIONS	
NAME	DATE
ADDENDUM NO. 1	6/29/06

ILLINOIS DEPARTMENT OF TRANSPORTATION  
 F.A.I. 94/90 (DAN RYAN EXPRESSWAY)  
 SB DAN RYAN ELEVATED BRIDGE  
 REPAIR FROM 15TH TO 28TH STREETS  
 PARTIAL DECK PLAN  
 SN 016-1115

SCALE: 1"=20'  
 DATE: 5/25/2006

DRAWN BY: BDC  
 CHECKED BY: BLU

BOWMAN, BARRETT & ASSOCIATES INC.  
 CONSULTING ENGINEERS  
 Chicago, Illinois  
 312.228.0100  
 www.bbainc.com

For Notes see Sheet 174, for Legend see Sheet 159

6/29/2006 5:29:33 PM