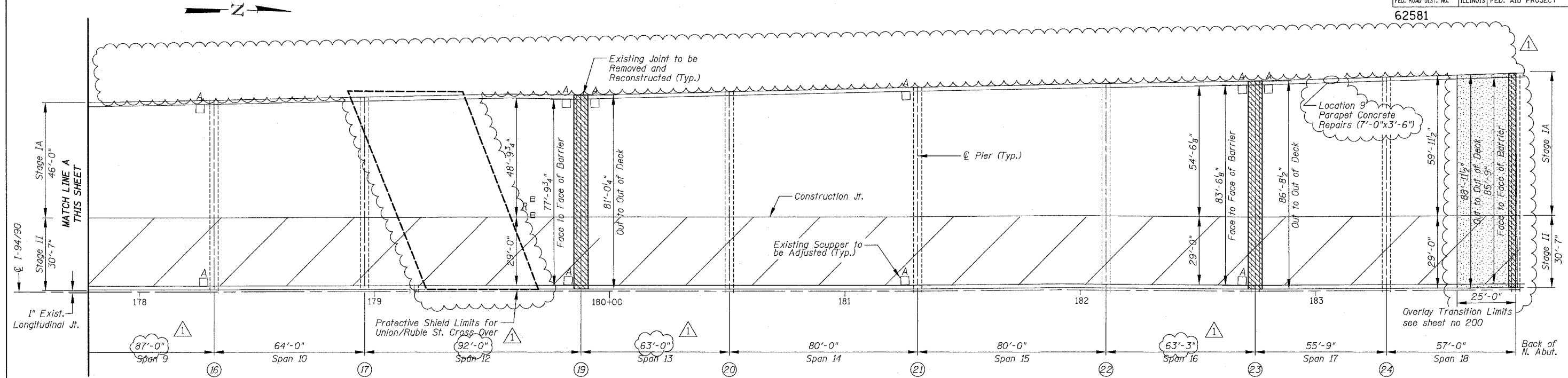
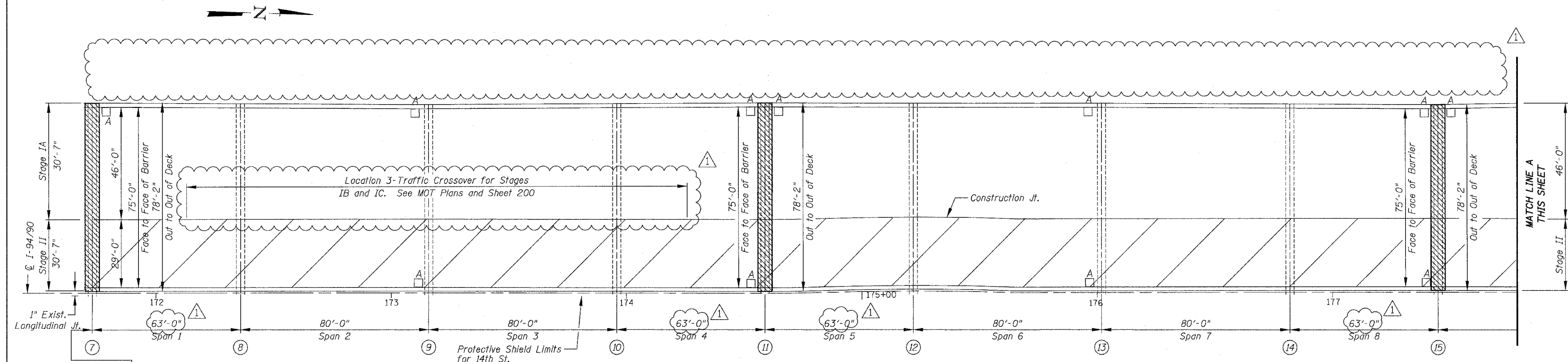


F.A.I.	SECTION	COUNTY	TOTAL SHEETS	SHEET NO.
94/90	2003-0291	COOK	344	191
STA.	TO STA.			
FED. ROAD DIST. NO.	ILLINOIS	FED. AID PROJECT		

62581



SN 016-0137 PARTIAL DECK PLAN



SN 016-0137 PARTIAL DECK PLAN

BOWMAN, BARRETT & ASSOCIATES INC.  
CONSULTING ENGINEERS  
Chicago, Illinois  
312.228.0100  
www.bbainc.com

For Notes see Sheet 174, for Legend see Sheet 159

REVISIONS	
NAME	DATE
ADDENDUM NO. 1	6/29/06

ILLINOIS DEPARTMENT OF TRANSPORTATION  
F.A.I. 94/90 (DAN RYAN EXPRESSWAY)  
SB DAN RYAN ELEVATED BRIDGE  
REPAIR FROM 15TH TO 28TH STREETS  
PARTIAL DECK PLAN  
SN 016-0137

SCALE: 1"=20'  
DATE: 5/25/2006  
DRAWN BY: BDC  
CHECKED BY: BLU

6/29/2006 5:31:23 PM