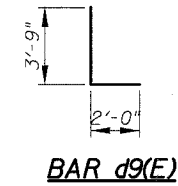


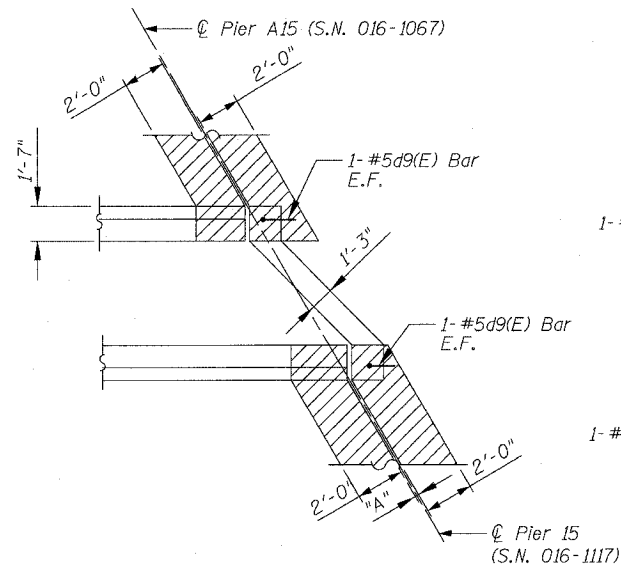
F.A.I.	SECTION	COUNTY	TOTAL SHEETS	SHEET NO.
94/90	2003-0291	COOK	344	199
STA.	TO STA.			
FED. ROAD DIST. NO.	ILLINOIS FED. AID PROJECT			
62581				

**CLOSURE WALL REINFORCEMENT
BAR SCHEDULE**

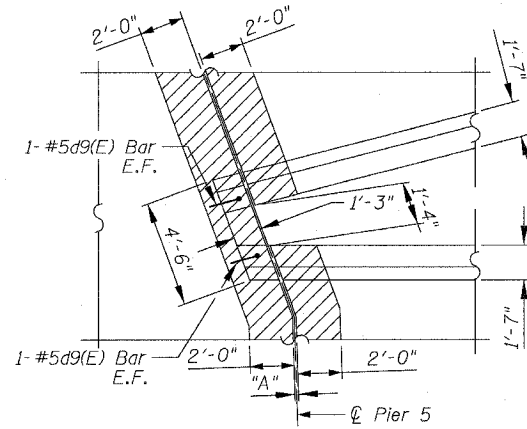
STRUCTURE	PIER	BAR	NO.	SIZE	LENGTH	SHAPE
016-1117	15	d9(E)	2	#5	5'-9"	L
016-1067	A15	d9(E)	2	#5	5'-9"	L
016-1115	5	d9(E)	4	#5	5'-9"	L
016-1050	F1	d9(E)	2	#5	5'-9"	L
016-1062	F1	d9(E)	2	#5	5'-9"	L
016-1113	A10	d9(E)	4	#5	5'-9"	L
016-1112	12	d9(E)	4	#5	5'-9"	L



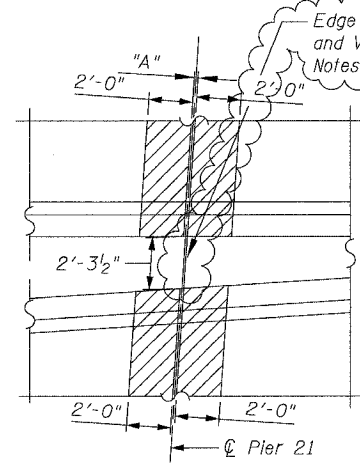
Cut #5d9(E) Bar in the field to fit the Closure Wall



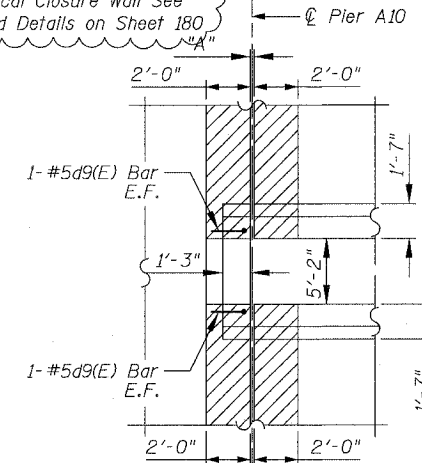
**CLOSURE WALL DETAIL
SN 016-1117 PIER 15
SN 016-1067 PIER A15**
(NTS)



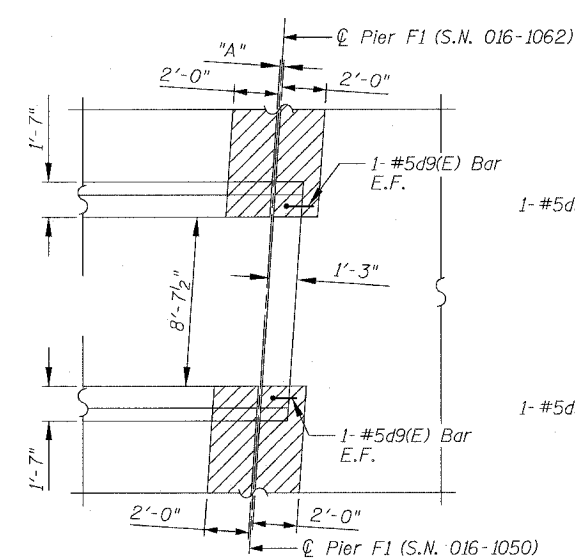
**CLOSURE WALL DETAIL
SN 016-1115 PIER 5**
(NTS)



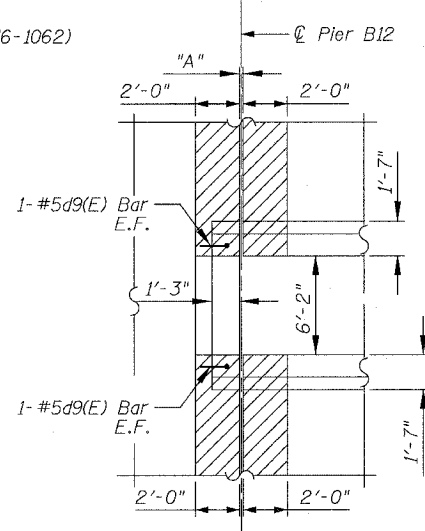
**CLOSURE WALL DETAIL
SN 016-1115 PIER 21**
(NTS)



**CLOSURE WALL DETAIL
SN 016-1113 PIER A10**
(NTS)



**CLOSURE WALL DETAIL
SN 016-1050 PIER F1 &
SN 016-1062 PIER F1**
(NTS)



**CLOSURE WALL DETAIL
SN 016-1112 PIER 12 & B12**
(NTS)

**CLOSURE WALL
BILL OF MATERIALS**

ITEM DESCRIPTION	UNIT	QUANTITY	016-1117	016-1067	016-1115	016-1050	016-1062	016-1113	016-1112
Reinforcement Bars, Epoxy Coated	Pound	120	12	12	24	12	12	24	24

REVISIONS	
NAME	DATE
ADDENDUM NO. 1	6/29/06

ILLINOIS DEPARTMENT OF TRANSPORTATION
F.A.I. 94/90 (DAN RYAN EXPRESSWAY)
SB DAN RYAN ELEVATED BRIDGE
REPAIR FROM 15TH TO 28TH STREETS
CLOSURE WALL
GENERAL DETAILS

SCALE: NTS
DATE: 5/25/2006

DRAWN BY: BDC
CHECKED BY: BLU

BOWMAN, BARRETT & ASSOCIATES INC.
CONSULTING ENGINEERS
Chicago, Illinois
312.228.0100
www.bbbsinc.com

NA6600001BRIDGE 21 SHEETS 660-21-199 4004E PM 6/29/2006