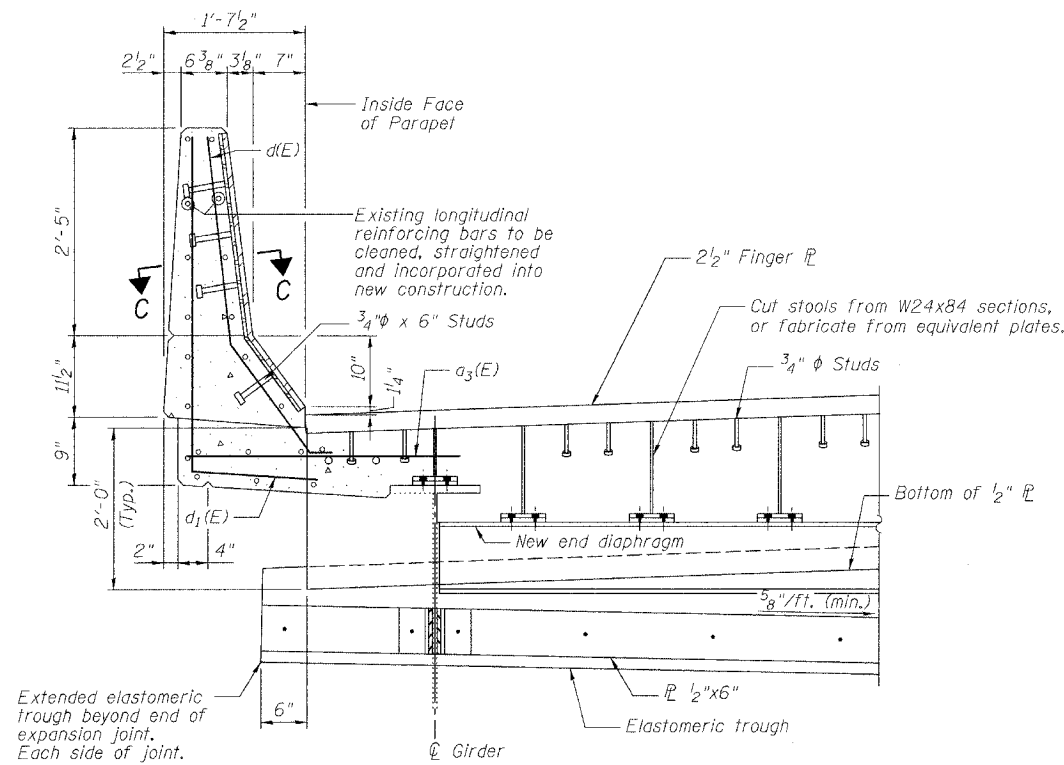


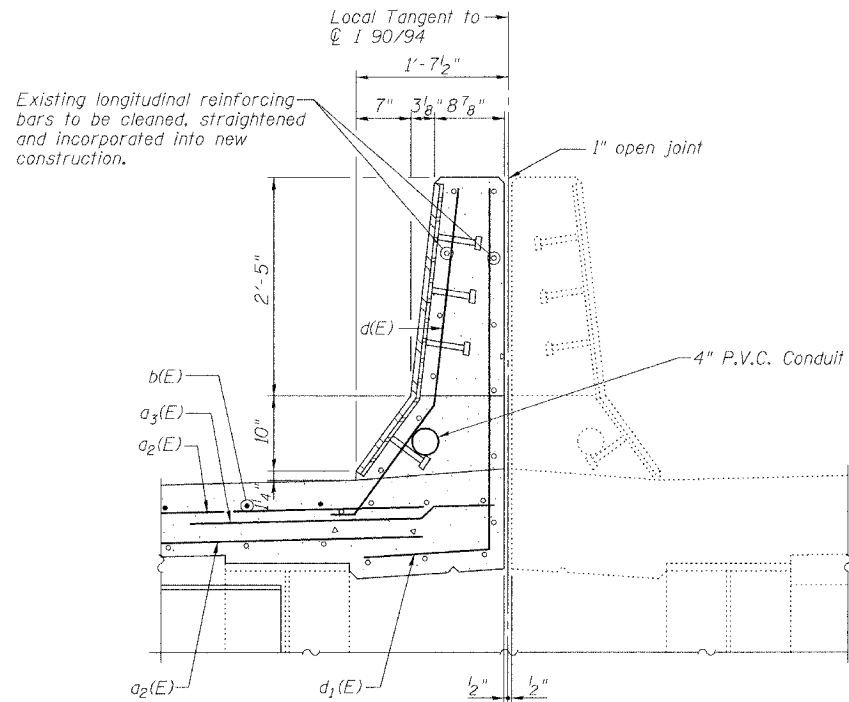
STATE OF ILLINOIS  
DEPARTMENT OF TRANSPORTATION

ROUTE NO. FA1 90/94	SECTION *	COUNTY COOK	SHEET NO. 399 248	SHEET NO. 5 9 SHEETS
FED. ROAD DIST. NO. ILLINOIS		FED. AID PROJECT 2003-029BR Contract #62581		



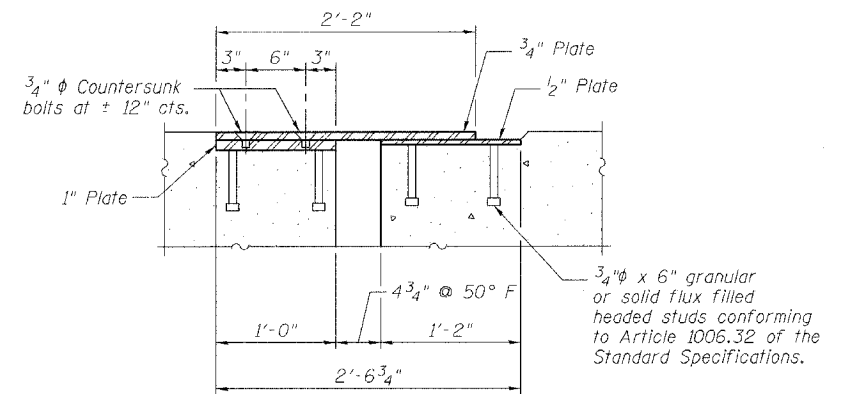
**SECTION B-B**

(For location of Section B-B, See Sheet 3 of 9)

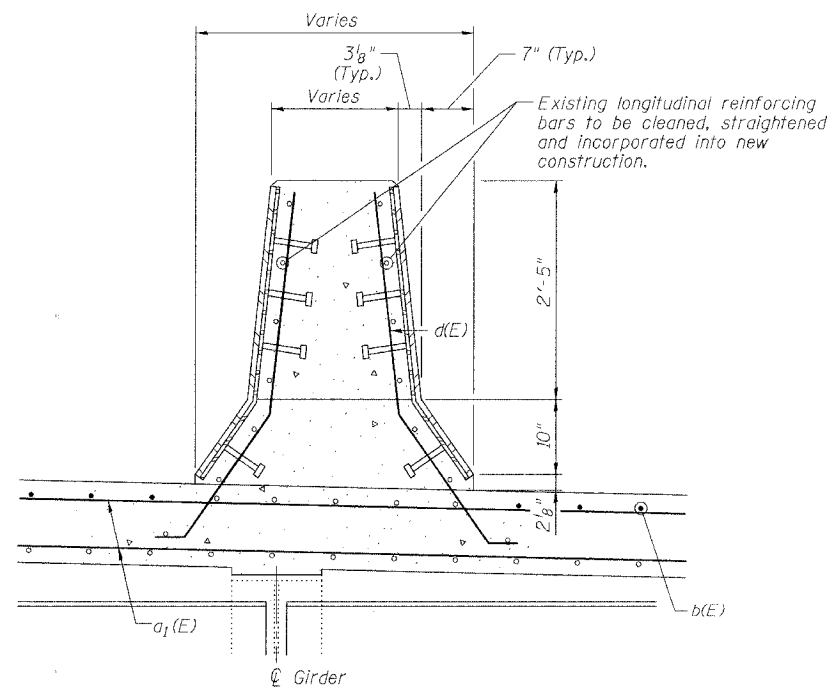


**DETAIL AT MEDIAN PARAPET**

(Looking North)

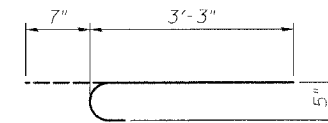


**SECTION C-C**

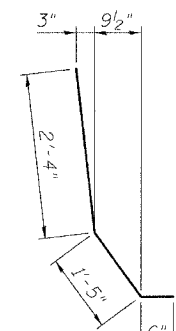


**DETAIL AT EXISTING S.B. FAI 90/94  
& RAMP A PARAPET**

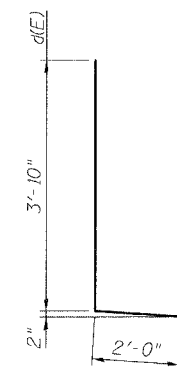
(Dimensions at Rt. L's)  
(Looking North)



**BAR b(E)**



**BAR d(E)**



**BAR d1(E)**

**BILL OF MATERIAL**

Bar	No.	Size	Length	Shape
d(E)	24	#5	18'-6"	—
a1(E)	24	#5	47'-5"	—
a2(E)	24	#5	31'-5"	—
a3(E)	16	#6	4'-6"	—
b(E)	184	#5	3'-10"	—
d1(E)	20	#5	5'-10"	—
Reinforcement Bars, Epoxy Coated			Pound	3540
Concrete Superstructure			Cu. Yd.	26.3
Concrete Removal			Cu. Yd.	22.1
Bar Splicers			Each	48
Mechanical Splice			Each	184

Reinforcing bars designated (E) shall be epoxy coated.

ILLINOIS DEPARTMENT OF TRANSPORTATION  
**PARAPET DETAILS**

F.A.I. ROUTE 90/94 SOUTHBOUND (DAN RYAN EXPRESSWAY)  
OVER SOUTH BRANCH - CHICAGO RIVER  
COOK COUNTY  
S.N. 016-1113 - PIER 1

REVISIONS	
NAME	DATE
MATHUR	6/28/06

SCALE: VERT. HORIZ. DATE: 4/7/05	DRAWN BY: LANDREY DESIGNED BY: SANFORD CHECKED BY: MATHUR	COMPUTER FILE NO. 04286-W01-SB-PD PROJECT 04286-W01 5/11/06-MML
--	---	--

GREENE & BRADFORD, INC.  
OF SPRINGFIELD  
CONSULTING ENGINEERS  
PROFESSIONAL ENGINEERS  
ILLINOIS LICENSE NO. 04286-01  
1015 E. STATE ST., SPRINGFIELD, ILL. 62761  
TEL: 217-244-1111 FAX: 217-244-1112

FILE NAME = I:\04286\W01\DRAWINGS\AS\OUT\BOUND\04286-W01-SB-PD.dgn  
PLOT SCALE = 1/8" = 1'-0"  
PLOT DATE = 6/29/2006  
PLOT TIME = 9:40:25 AM  
OPERATOR = michelleb