

F.A.I.	SECTION	COUNTY	TOTAL SHEETS	SHEET NO.
94/90	2003-0291	COOK	344	264
STA.		TO STA.		
FED. ROAD DIST. NO.	ILLINOIS	FED. AID PROJECT		

62581

NOTES:

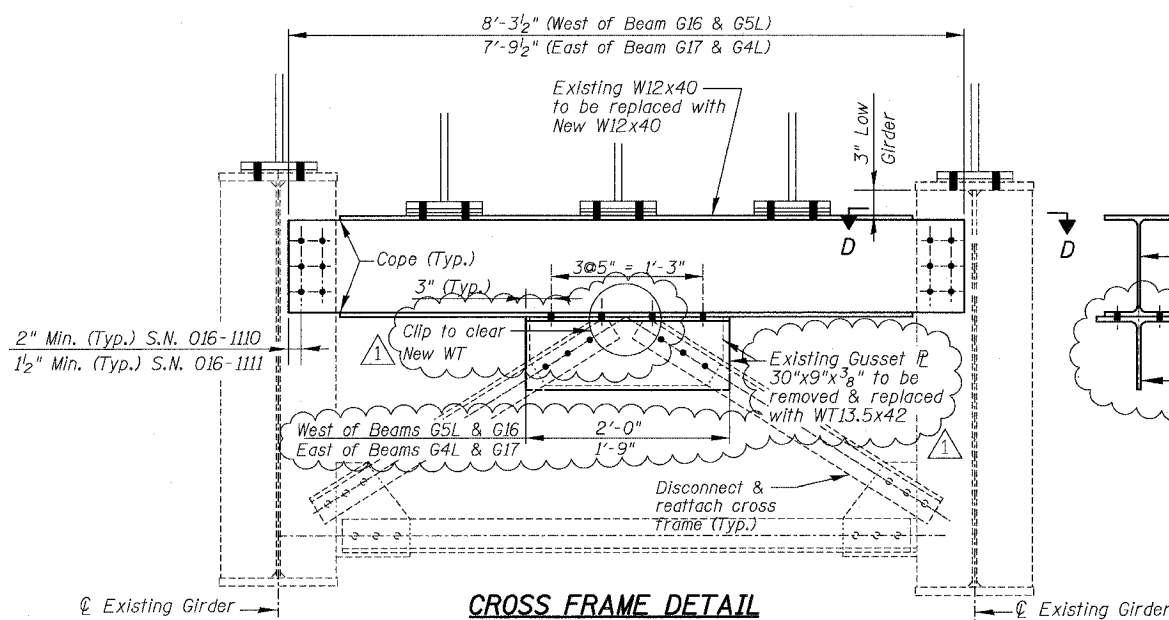
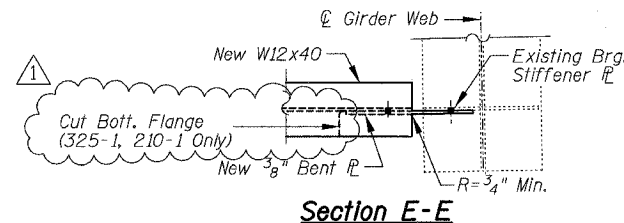
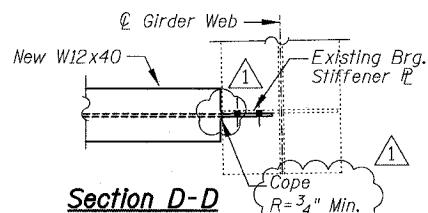
1. Use 7/8" φ H.S. bolts for all cross frame/diaphragm connections at this pier location (excluding stool connections).

2. Field drill 15/16" φ holes for 7/8" φ bolts. Use 2" min. edge distance for all 7/8" φ bolts unless otherwise noted.

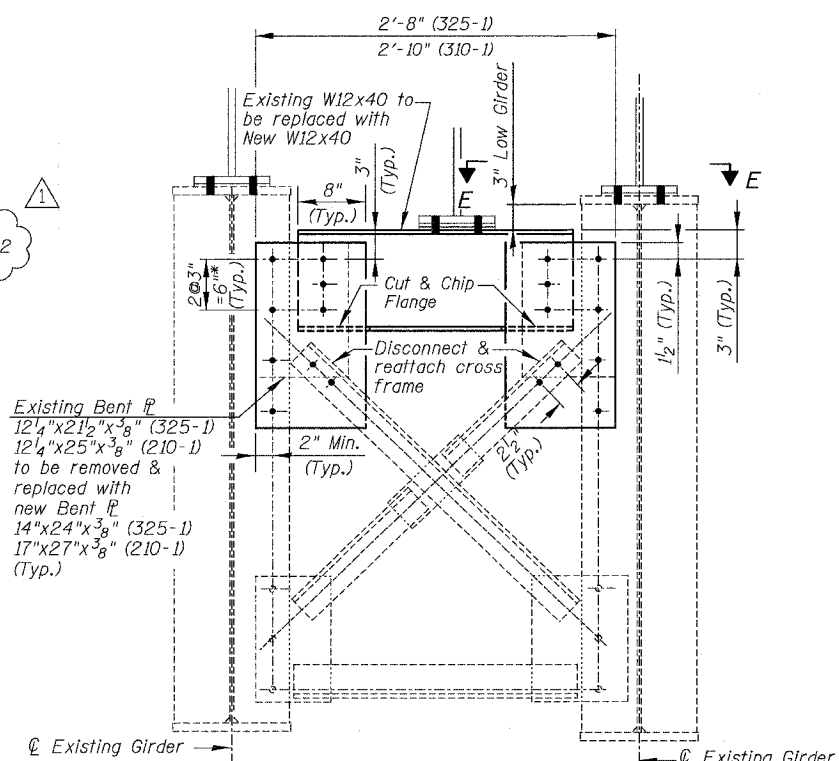
3. Calculated weight of Structural Steel used for the item "Furnishing & Erecting Structural Steel" = 6,370 Lbs, and itemized as follows:  
 S.N. 016-1110 = 3,180 Lbs  
 S.N. 016-1111 = 3,190 Lbs

4. Calculated weight of Structural Steel used for the item "Structural Steel Removal" = 5,490 Lbs, and itemized as follows:  
 S.N. 016-1110 = 2,680 Lbs  
 S.N. 016-1111 = 2,810 Lbs

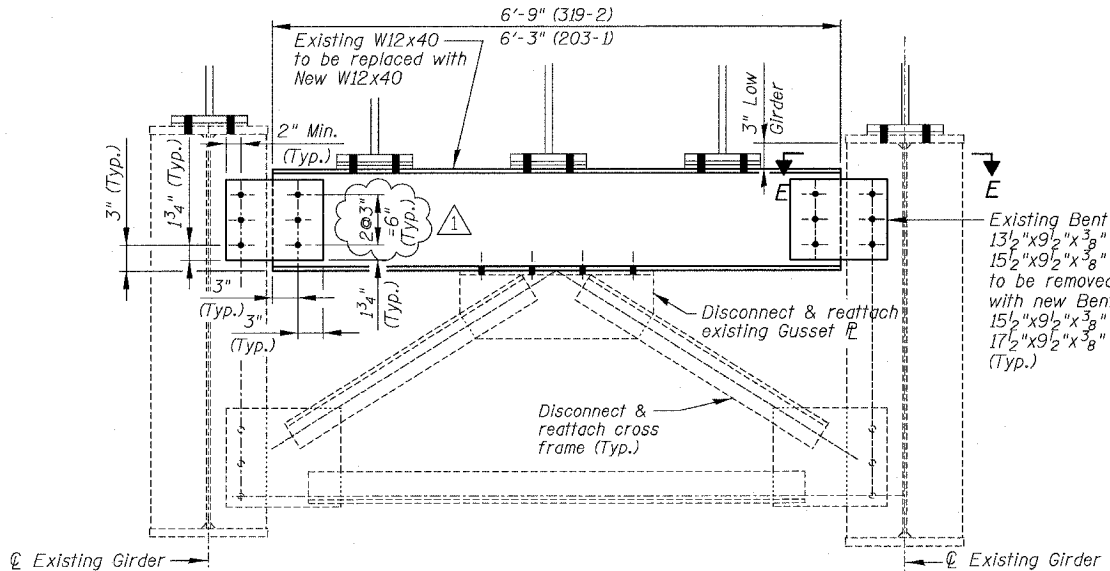
5. Dimensions shown to be field verified as indicated in Structural General Notes. Cost included in Field Measurements (see Special Provisions for details)



S.N. 016-1110	S.N. 016-1111
ECF 6 REQ'D	CF 6 REQ'D



S.N. 016-1110	S.N. 016-1111
210-1 1 REQ'D	325-1 1 REQ'D



S.N. 016-1110	S.N. 016-1111
203-1 1 REQ'D	319-2 1 REQ'D

BILL OF MATERIAL

Item	Unit	Quantity
Furnishing & Erecting Structural Steel	Lum Sum	0.03
Structural Steel Removal	Pound	5,490

REVISIONS	
NAME	DATE
ADDENDUM NO. 1	6/29/06

ILLINOIS DEPARTMENT OF TRANSPORTATION  
 F.A.I. 94/90 (DAN RYAN EXPRESSWAY)  
 SB DAN RYAN ELEVATED BRIDGE  
 REPAIR FROM 15TH TO 28TH STREETS  
 DIAPHRAGM REPLACEMENT  
 PIER 1, SN 016-1110  
 SCALE: NTS  
 DATE: 5/25/2006  
 DRAWN BY: BDC  
 CHECKED BY: IYL

BOWMAN, BARRETT & ASSOCIATES INC.  
 CONSULTING ENGINEERS  
 Chicago, Illinois  
 312.228.0100  
 www.bbandainc.com

4/05/06 PM 4/05/06 PM