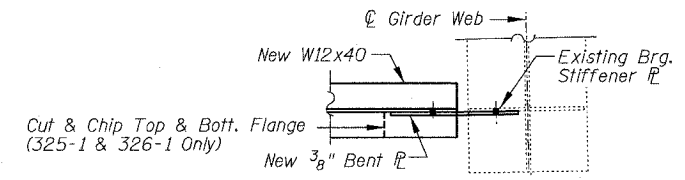
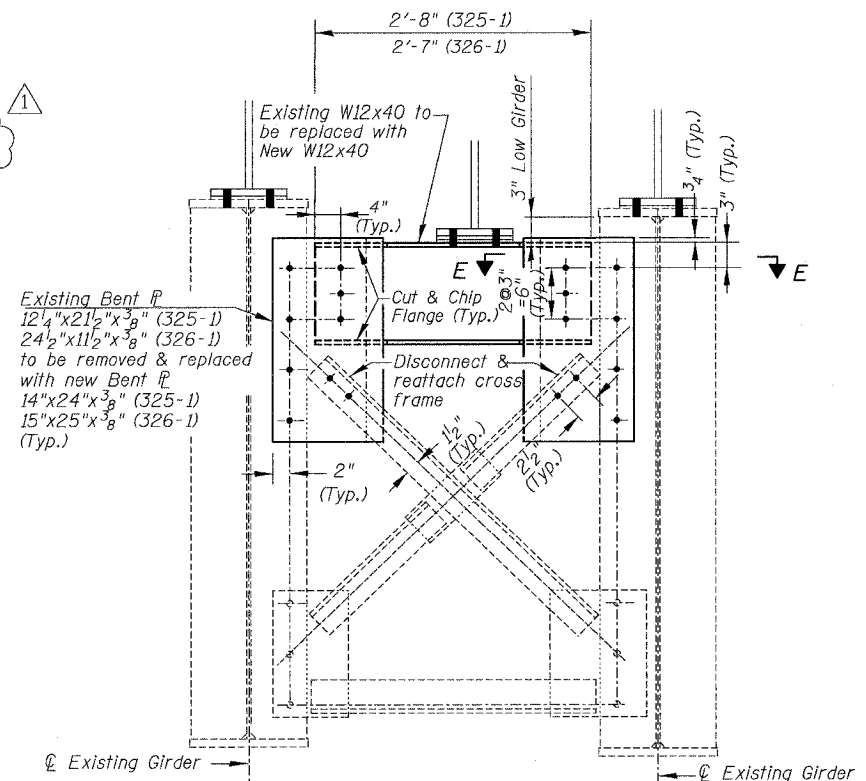


CROSS FRAME DETAIL

S.N. 016-1111	
CF	13 REQ'D



Section E-E



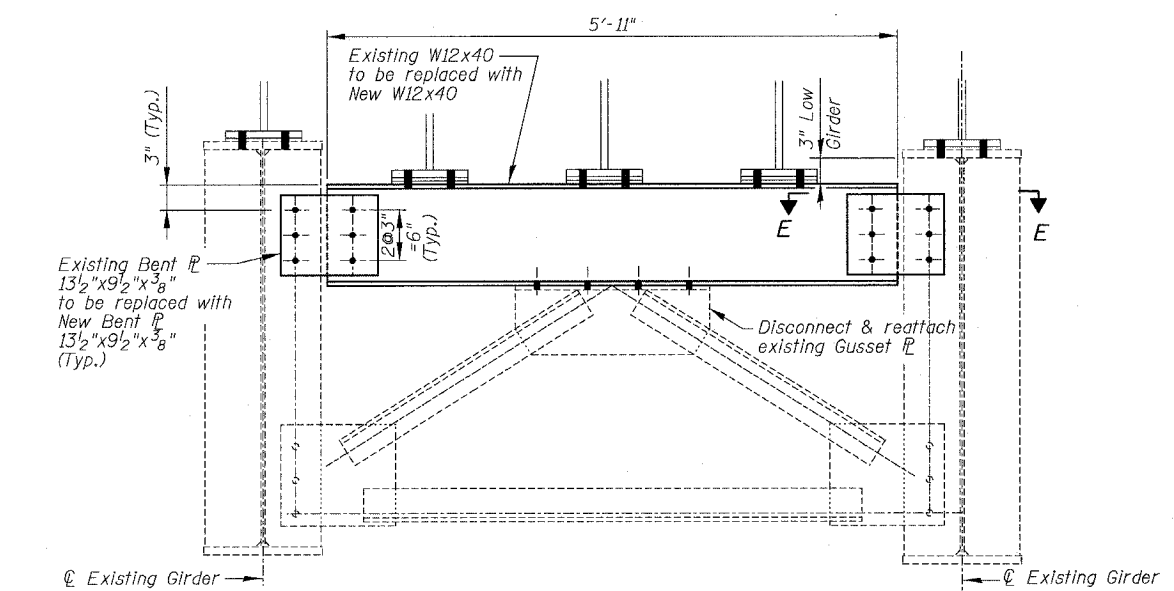
CROSS FRAME DETAIL

S.N. 016-1111	
325-1	1 REQ'D
326-1	1 REQ'D

- NOTES:
1. Use 7/8" H.S. bolts for all cross frame/diaphragm connections at this pier location (excluding stool connections).
 2. Field drill 5/16" holes for 7/8" bolts. Use 2" min. edge distance for all 7/8" bolts unless otherwise noted.
 3. Calculated weight of Structural Steel used for the item "Furnishing & Erecting Structural Steel" = 6,270 Lbs.
 4. Dimensions shown to be field verified as indicated in Structural General Notes. Cost included in Field Measurements (see Special Provisions for details).

BILL OF MATERIAL

Item	Unit	Quantity
Furnishing & Erecting Structural Steel	Lum Sum	0.03
Structural Steel Removal	Pound	5,580



CROSS FRAME DETAIL

S.N. 016-1111	
320-1	1 REQ'D
321-1	1 REQ'D

BOWMAN, BARRETT & ASSOCIATES INC.
CONSULTING ENGINEERS
Chicago, Illinois
312.228.0100
www.bbandainc.com

REVISIONS	
NAME	DATE
ADDENDUM NO. 1	6/29/06

ILLINOIS DEPARTMENT OF TRANSPORTATION
F.A.I. 94/90 (DAN RYAN EXPRESSWAY)
SB DAN RYAN ELEVATED BRIDGE
REPAIR FROM 15TH TO 28TH STREETS
DIAPHRAGM REPLACEMENT
PIER 2, SN 016-1111
SCALE: NTS
DATE: 5/25/2006
DRAWN BY: BDC
CHECKED BY: IYL

4-2004-F-12-2006