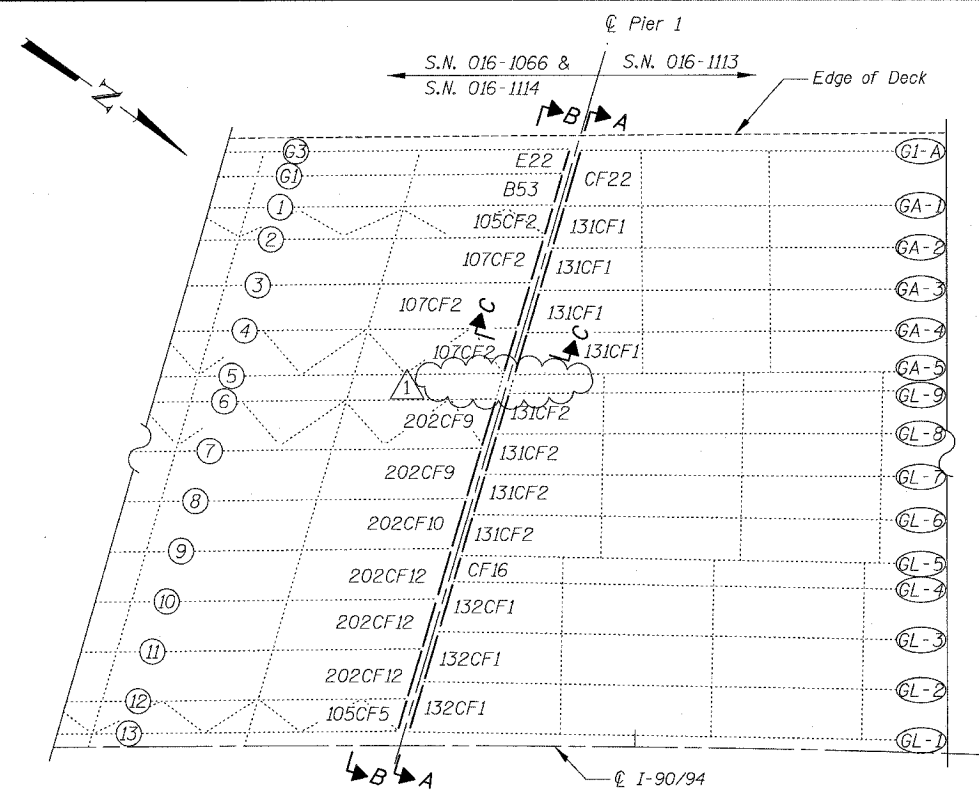
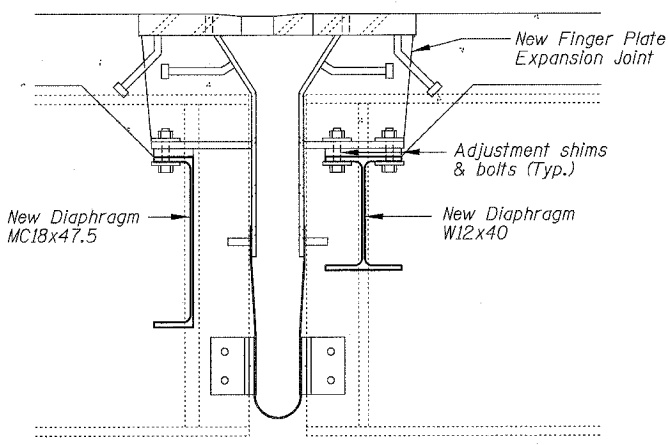


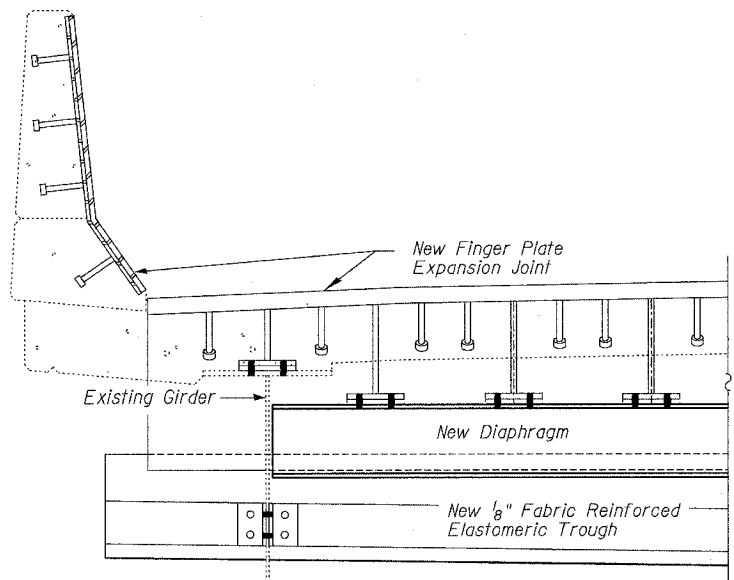
F.A.I.	SECTION	COUNTY	TOTAL SHEETS	SHEET NO.
94/90	2003-0291	COOK	344	269
STA.		TO STA.		
FED. ROAD DIST. NO.	ILLINOIS	FED. AID PROJECT		
62581				



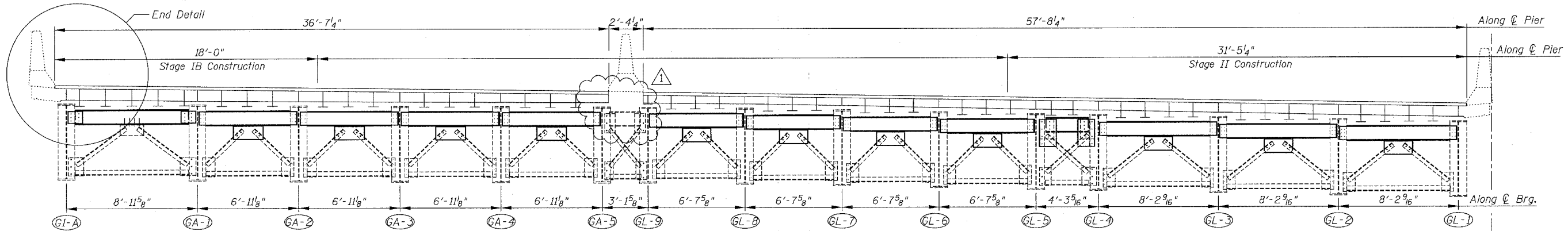
PARTIAL FRAMING PLAN



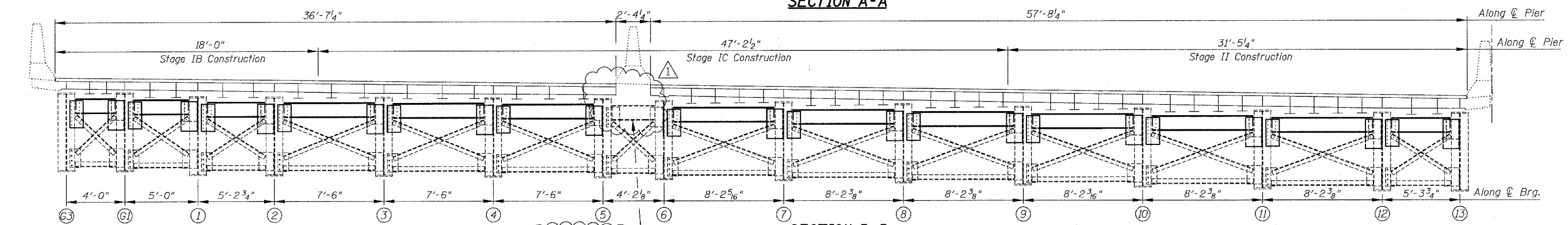
SECTION C-C



END DETAIL



SECTION A-A



SECTION B-B

Existing Diaphragm to remain in place (Typ.)

BOWMAN, BARRETT & ASSOCIATES INC.
CONSULTING ENGINEERS
Chicago, Illinois
312.228.0100
www.bbainsc.com

REVISIONS	NAME	DATE
1	ADDENDUM NO. 1	6/29/06

ILLINOIS DEPARTMENT OF TRANSPORTATION
F.A.I. 94/90 (DAN RYAN EXPRESSWAY)
SB DAN RYAN ELEVATED BRIDGE
REPAIR FROM 15TH TO 28TH STREETS
DIAPHRAGM REPLACEMENT
PIER 1, SN 016-1113
SCALE: NTS
DATE: 5/25/2006
DRAWN BY: BDC
CHECKED BY: IYL

I:\660\BRIDGE\DESIGN\PROJECTS\660_20_016-1113-FR-1491