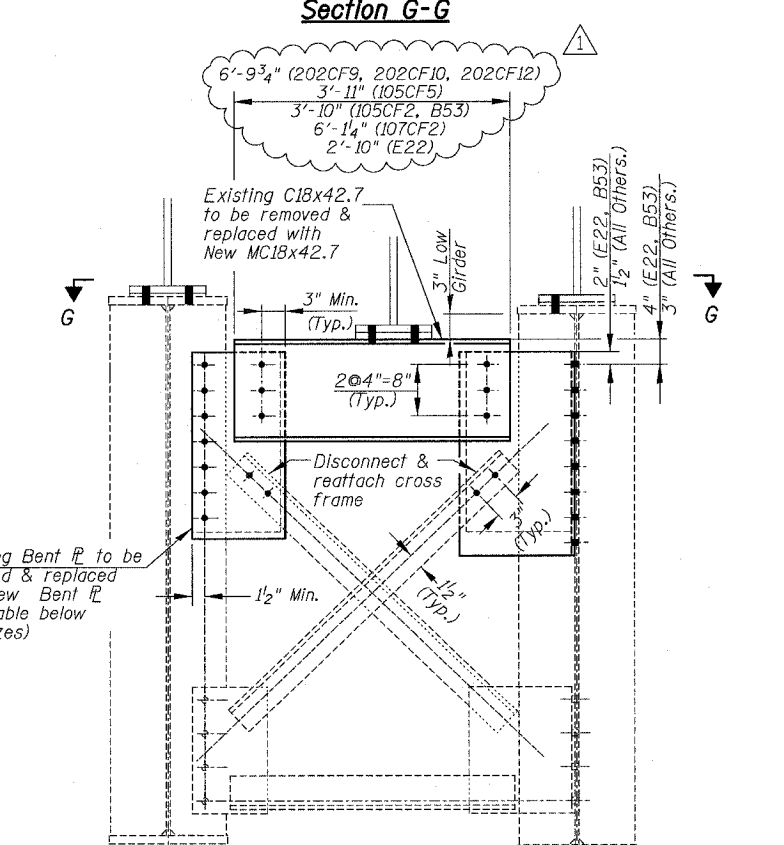
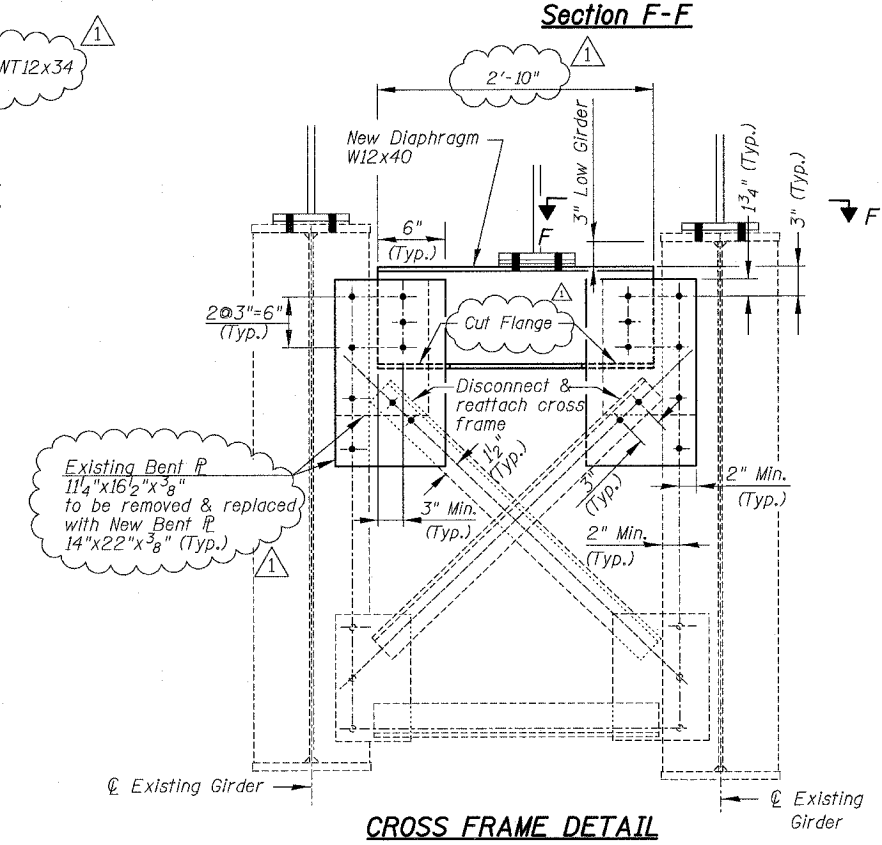
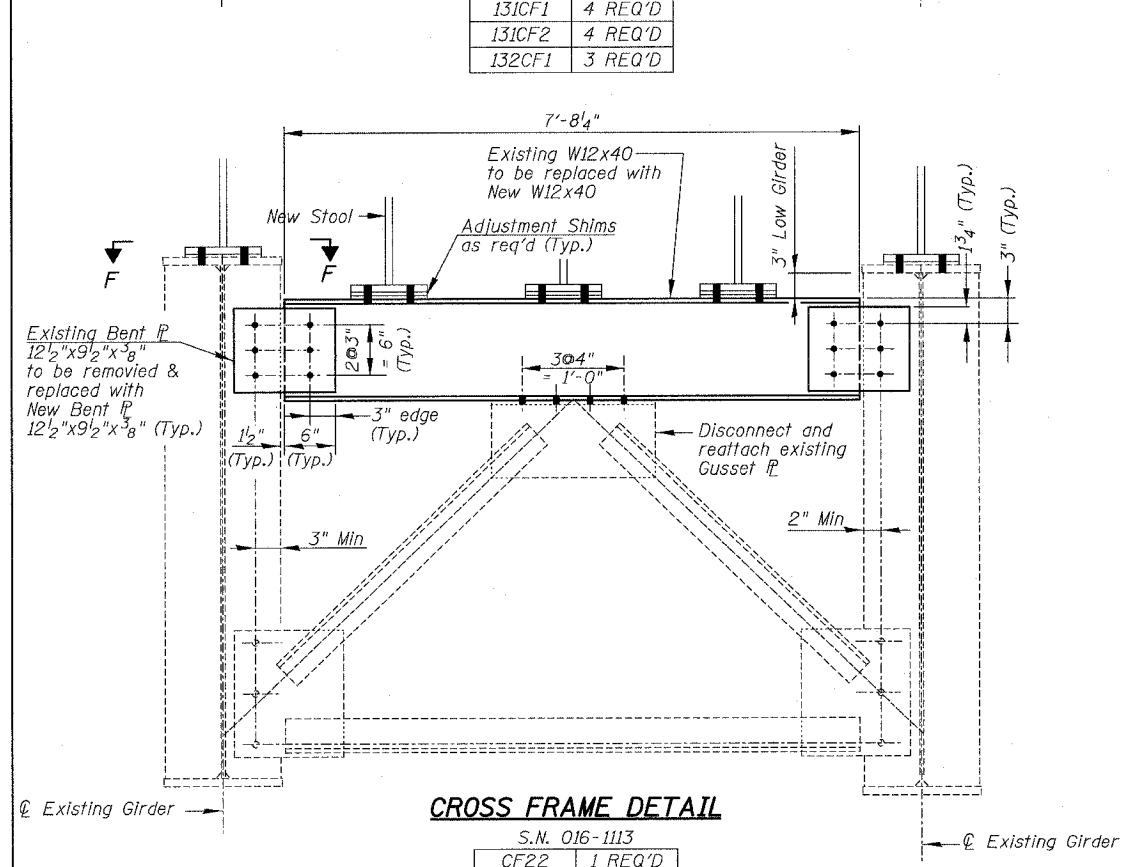
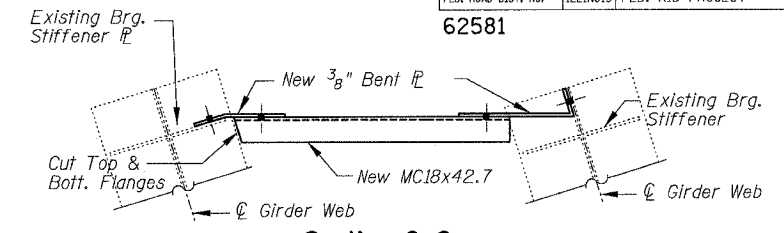
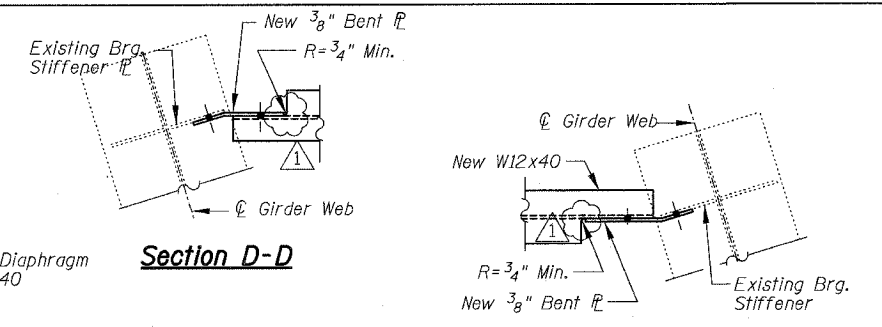
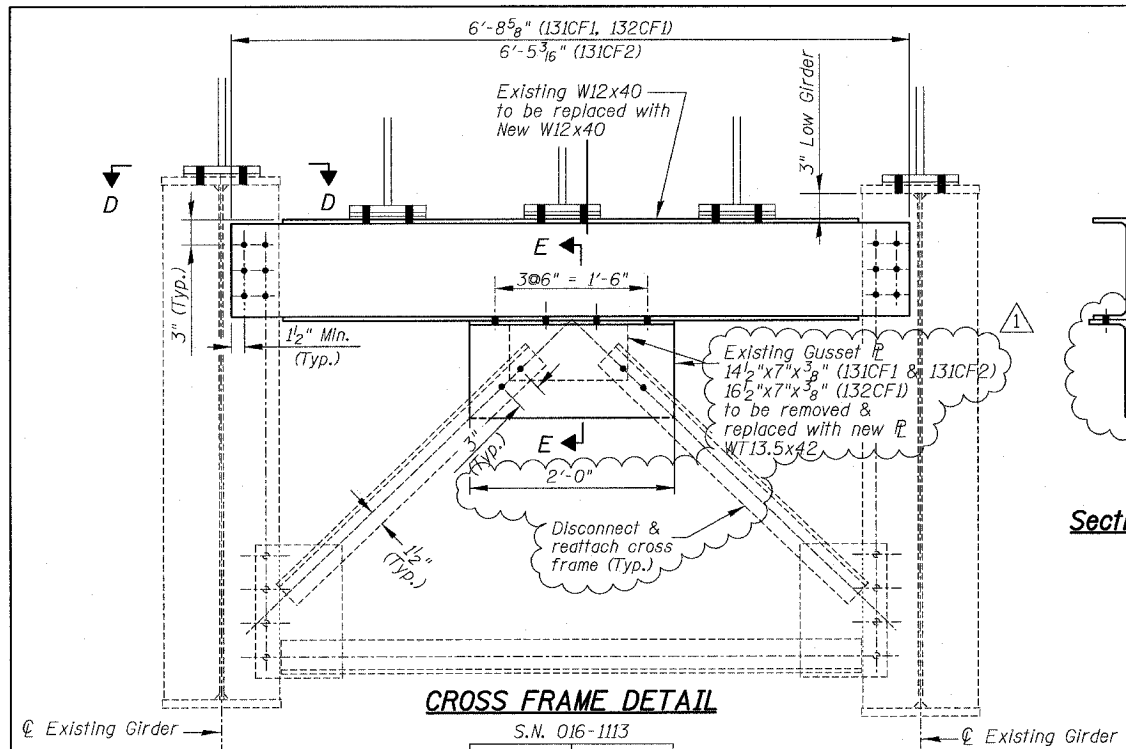


62581



Diaphragm Designation	Existing Bent Plate Removal	New Bent Plate
E22	11 1/4" x 24 1/2" x 3/8" (W.S.) 14 1/4" x 24 1/2" x 3/8" (E.S.)	18" x 35" x 3/8" (Both Sides)
B53	15 3/4" x 23 1/2" x 3/8" (W.S.) 15 3/4" x 25" x 3/8" (E.S.)	17" x 35" x 3/8" (Both Sides)
105CF2	14 1/2" x 26" x 3/8" (W.S.)	18" x 27" x 3/8" (W.S.)
105CF5	17 1/4" x 26" x 3/8" (E.S.)	21" x 27" x 3/8" (E.S.)
107CF2	18" x 24" x 3/8" (W.S.) 15" x 24" x 3/8" (E.S.)	18" x 27" x 3/8" (W.S.) 21" x 27" x 3/8" (E.S.)
202CF9, 202CF10, 202CF12	14" x 24" x 3/8" (W.S.) 17" x 24" x 3/8" (E.S.)	18" x 27" x 3/8" (W.S.) 21" x 27" x 3/8" (E.S.)

BILL OF MATERIAL

Item	Unit	Quantity
Furnishing & Erecting Structural Steel	Lum Sum	0.04
Structural Steel Removal	Pound	8,280

- NOTES:**
- Calculated weight of Structural Steel used for the item "Furnishing & Erecting Structural Steel" = 9,830 Lbs. and itemized as follows:
S.N. 016-1113 = 4,790 Lbs
S.N. 016-1066 = 2,200 Lbs
S.N. 016-1114 = 2,840 Lbs
 - Calculated weight of Structural Steel used for the item "Structural Steel Removal" = 8,280 Lbs. and itemized as follows:
S.N. 016-1113 = 3,880 Lbs
S.N. 016-1066 = 1,810 Lbs
S.N. 016-1114 = 2,590 Lbs
 - E.S. denotes East Side. W.S. indicates West Side.
 - Dimensions shown to be field verified as indicated in Structural General Notes. Cost included in Field Measurements (see Special Provisions for details).

REVISIONS	
NAME	DATE
ADDENDUM NO. 1	6/29/06

ILLINOIS DEPARTMENT OF TRANSPORTATION
F.A.I. 94/90 (DAN RYAN EXPRESSWAY)
SB DAN RYAN ELEVATED BRIDGE
REPAIR FROM 15TH TO 28TH STREETS
DIAPHRAGM REPLACEMENT DETAILS
PIER 1, SN 016-1113

SCALE: NTS
DATE: 5/25/2006
DRAWN BY: BDC
CHECKED BY: TYL

BOWMAN, BARRETT & ASSOCIATES INC.
CONSULTING ENGINEERS
Chicago, Illinois
312.228.0100
www.bbainc.com