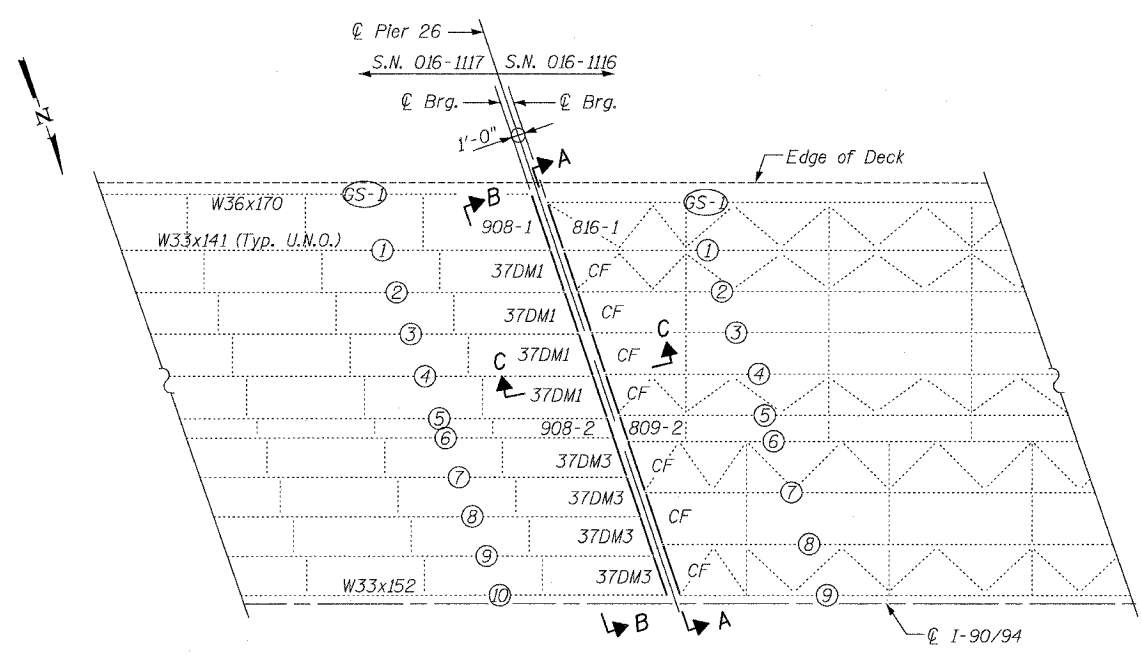
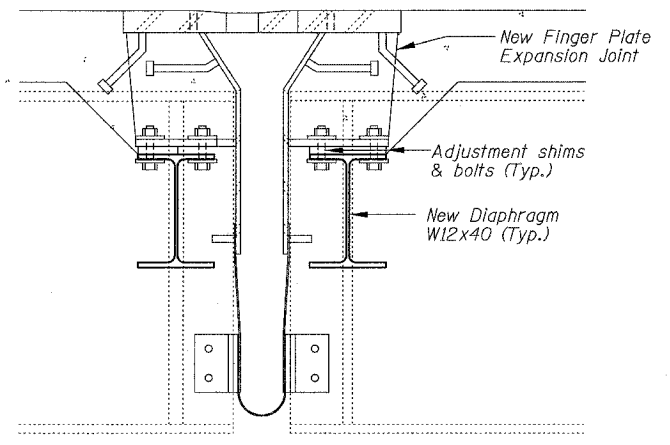


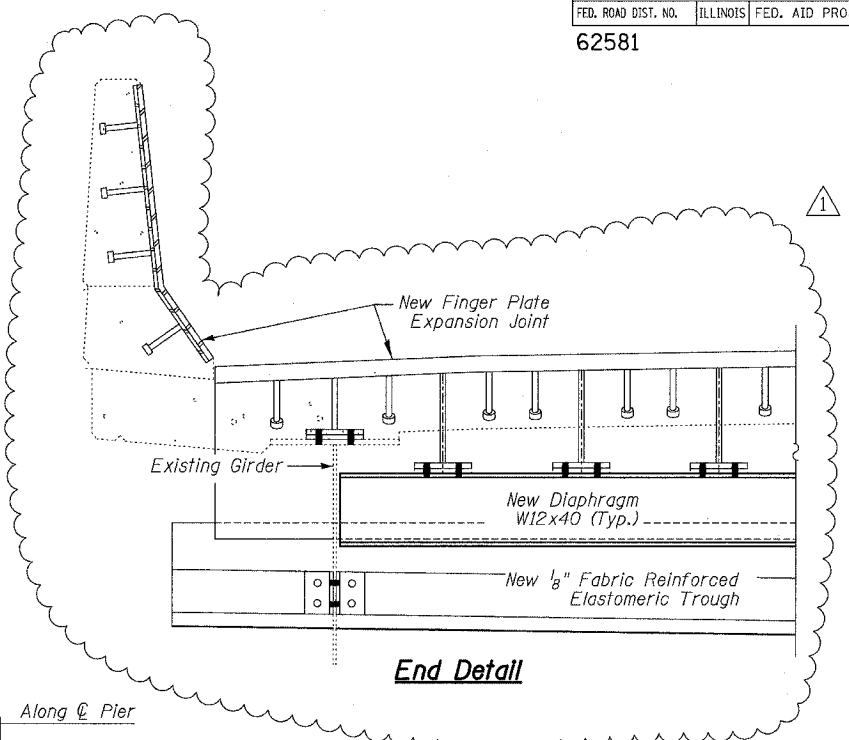
F.A.I.	SECTION	COUNTY	TOTAL SHEETS	SHEET NO.
94/90	2003-0291	COOK	344	271
STA.		TO STA.		
62581		ILLINOIS FED. AID PROJECT		



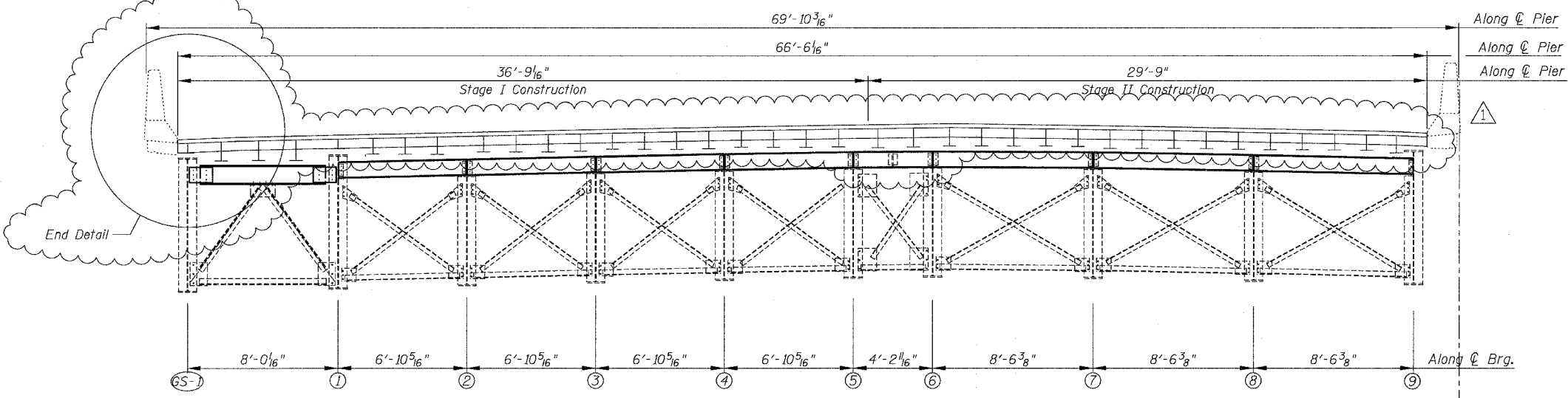
**PARTIAL FRAMING PLAN**



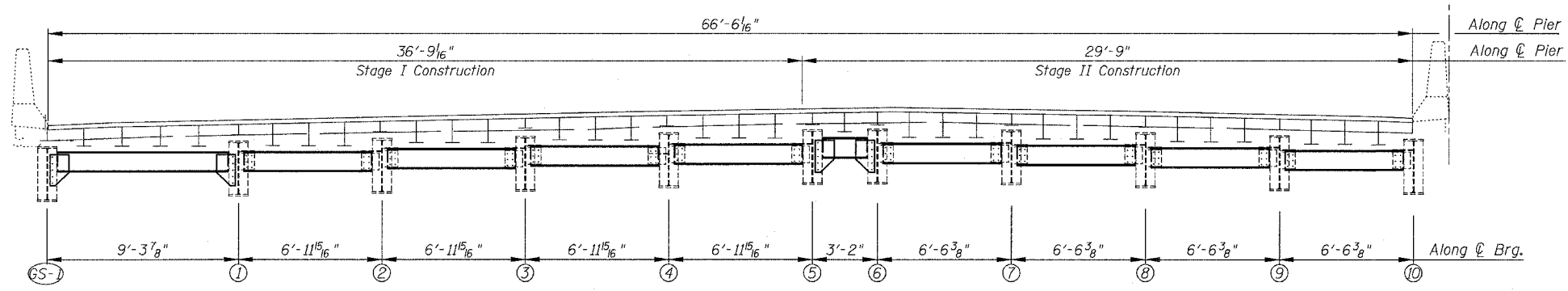
**SECTION C-C**



**End Detail**



**SECTION A-A**



**SECTION B-B**

BOWMAN, BARRETT & ASSOCIATES INC.  
CONSULTING ENGINEERS  
Chicago, Illinois  
312.228.0100  
www.bbandainc.com

REVISIONS	
NAME	DATE
ADDENDUM NO. 1	6/29/06

ILLINOIS DEPARTMENT OF TRANSPORTATION  
F.A.I. 94/90 (DAN RYAN EXPRESSWAY)  
SB DAN RYAN ELEVATED BRIDGE  
REPAIR FROM 15TH TO 28TH STREETS  
DIAPHRAGM REPLACEMENT  
PIER 26, SN 016-1117  
SCALE: NTS  
DATE: 5/25/2006  
DRAWN BY: BDC  
CHECKED BY: IYL

6/29/2006 5:37:44 PM