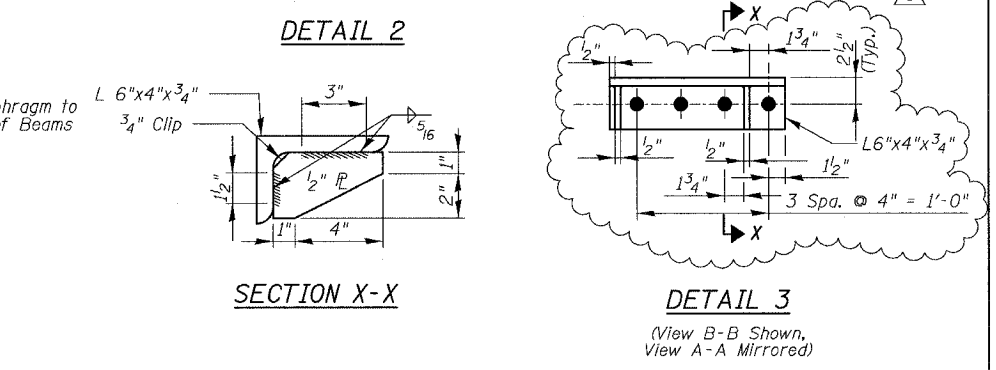
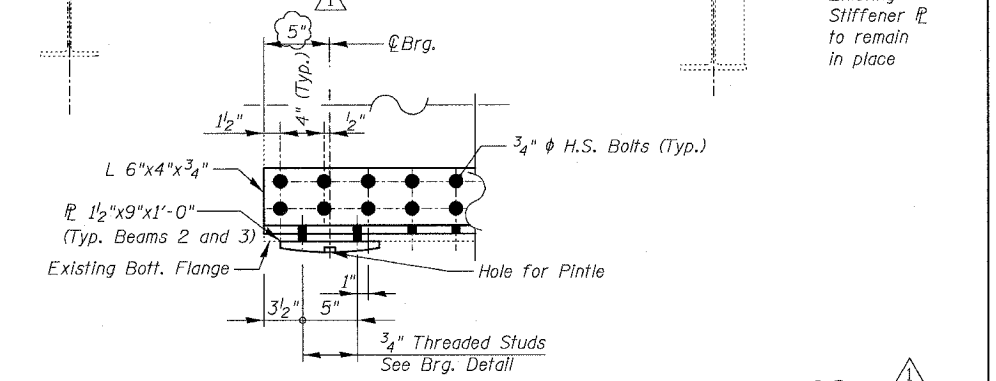
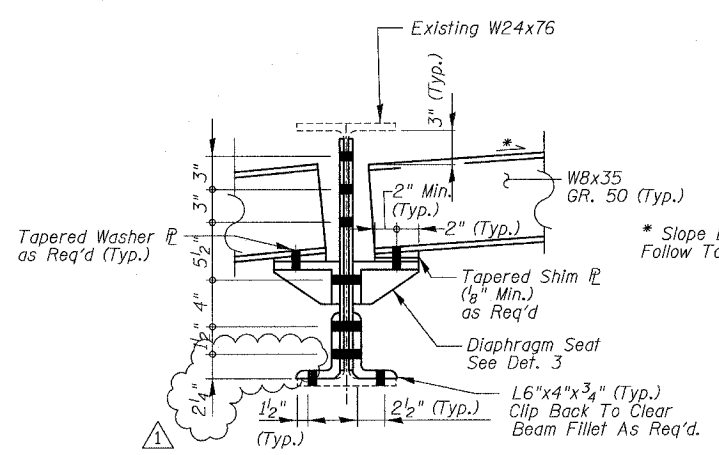
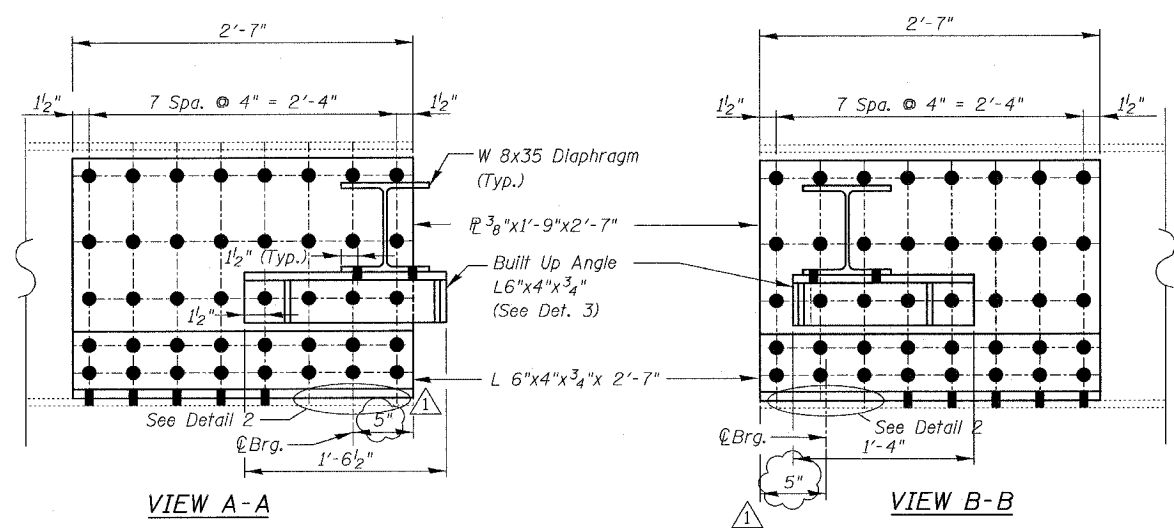
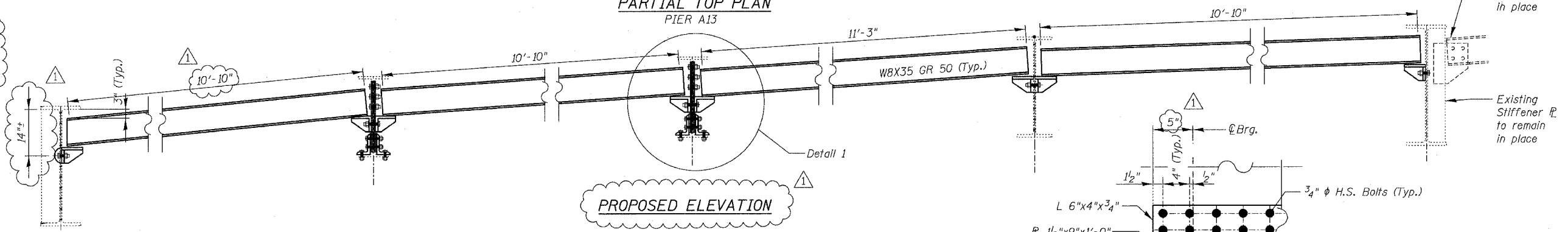


- NOTES**
- All new fasteners shall be 3/4" φ H.S. bolts with minimum edge distance of 1 1/2", unless otherwise noted.
 - Field drill all bolt holes 1/16" φ. Cost included with Structural Steel Repair.



BILL OF MATERIAL

Item	Unit	Total
Structural Steel Repair	Pound	3,955

BOWMAN, BARRETT & ASSOCIATES INC.
CONSULTING ENGINEERS
Chicago, Illinois
312.228.0100
www.bbandainc.com

REVISIONS

NAME	DATE
ADDENDUM NO. 1	6/29/06

ILLINOIS DEPARTMENT OF TRANSPORTATION
F.A.I. 94/90 (DAN RYAN EXPRESSWAY)
SB DAN RYAN ELEVATED BRIDGE
PIER A13, SN 016-1067
DIAPHRAGM/BEAM REPAIR DETAILS

SCALE: NTS
DATE: 5/25/2006

DRAWN BY: BDC
CHECKED BY: IYL