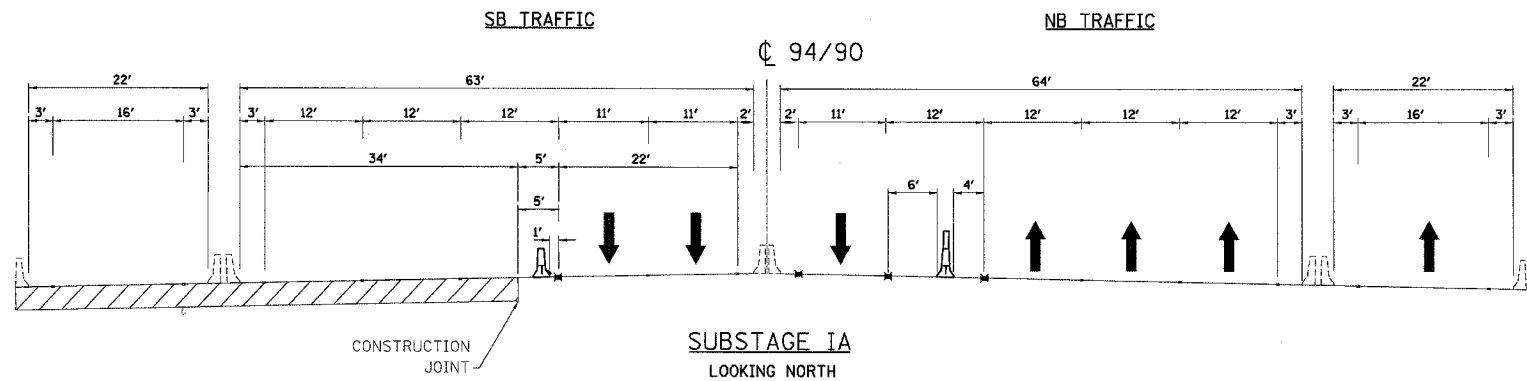


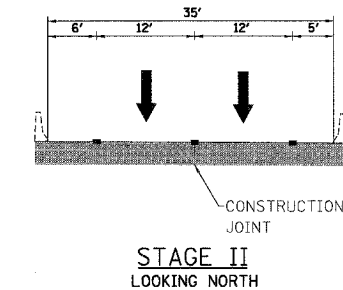
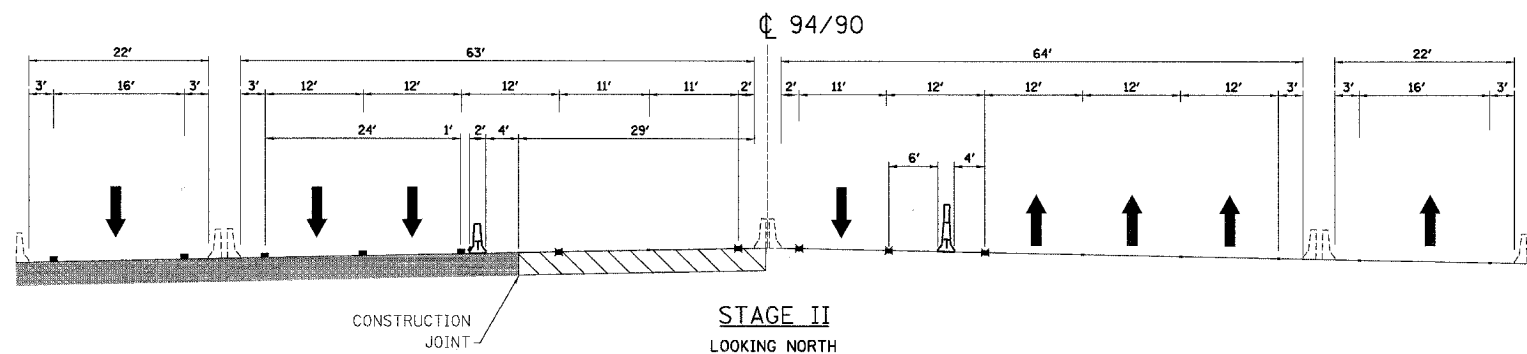
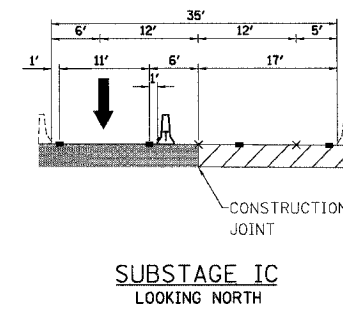
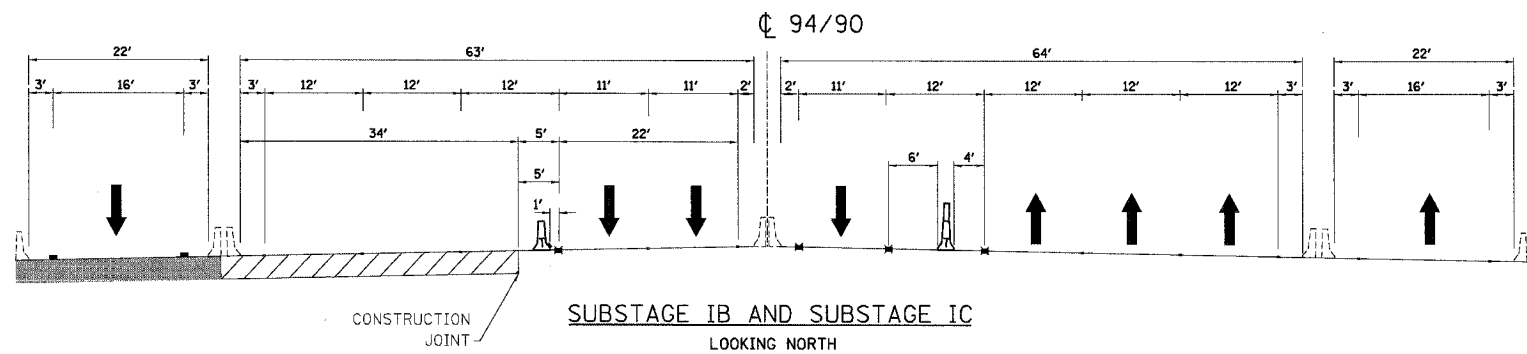
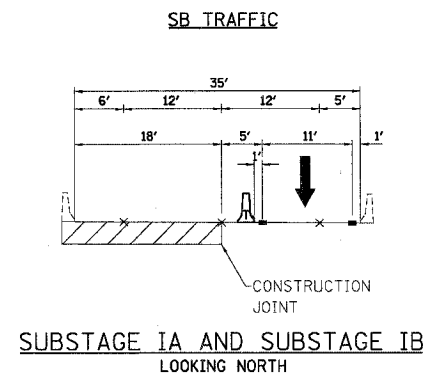
F.A.I.	SECTION	COUNTY	TOTAL SHEETS	SHEET NO.
94/90	2003-029	COOK	344	30
STA.	TO STA.			
FED. ROAD DIST. NO.	ILLINOIS FED. AID PROJECT			

62581

SECTION D-D



SECTION E-E

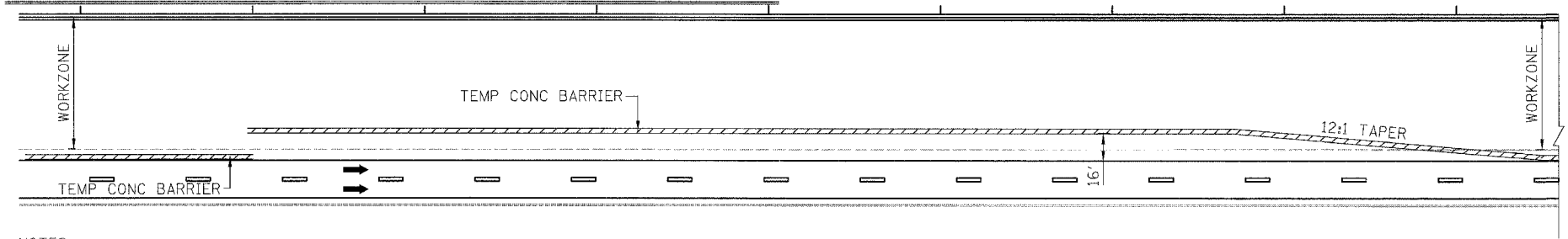


LEGEND

- TRAFFIC DIRECTION
- EXISTING PAVEMENT MARKING
- REMOVE EXISTING PAVEMENT MARKING
- RAISED REFLECTIVE PAVEMENT MARKING REMOVAL
- TEMPORARY PAVEMENT MARKING
- WORK ZONE
- TEMPORARY CONCRETE BARRIER
- TEMPORARY CONCRETE BARRIER WITH TEMPORARY PAVEMENT MARKING - LINE 6"
- TEMPORARY CONCRETE BARRIER WITH MODULAR GLARE SCREEN SYSTEM
- OVERLAYED PAVEMENT
- EXISTING BARRIER

MTS-05

CONTRACTOR'S ACCESS TO WORK ZONE DETAIL - NOT TO SCALE



NOTES

1. ABOVE DETAIL SHOWN MINIMUM REQUIREMENTS FOR CONTRACTOR'S ACCESS TO WORK ZONE.
2. NUMBER AND LOCATION OF ACCESS POINTS TO BE DETERMINED BY CONTRACTOR.
3. CONTRACTOR'S ACCESS TO WORK ZONE AND RELOCATION WILL NOT BE PAID AS A SEPARATE ITEM, BUT SHALL BE CONSIDERED AS INCLUDED IN THE COST OF THE CONTRACT.

BOWMAN, BARRETT & ASSOCIATES INC.
CONSULTING ENGINEERS
Chicago, Illinois
312.228.0100
www.bbainc.com



REVISIONS	
NAME	DATE

ILLINOIS DEPARTMENT OF TRANSPORTATION
F.A.I. 94/90 (DAN RYAN EXPRESSWAY)
SB DAN RYAN ELEVATED BRIDGE
REPAIR FROM 15TH TO 28TH STREETS
MAINTENANCE OF TRAFFIC PLAN
GENERAL NOTES AND TYPICAL SECTIONS
SCALE: =NTS DRAWN BY: RA
DATE: 4/14/2006 CHECKED BY: RS

14-660-0001-CAD/11/21/06/RS/650_21/06/01.dwg