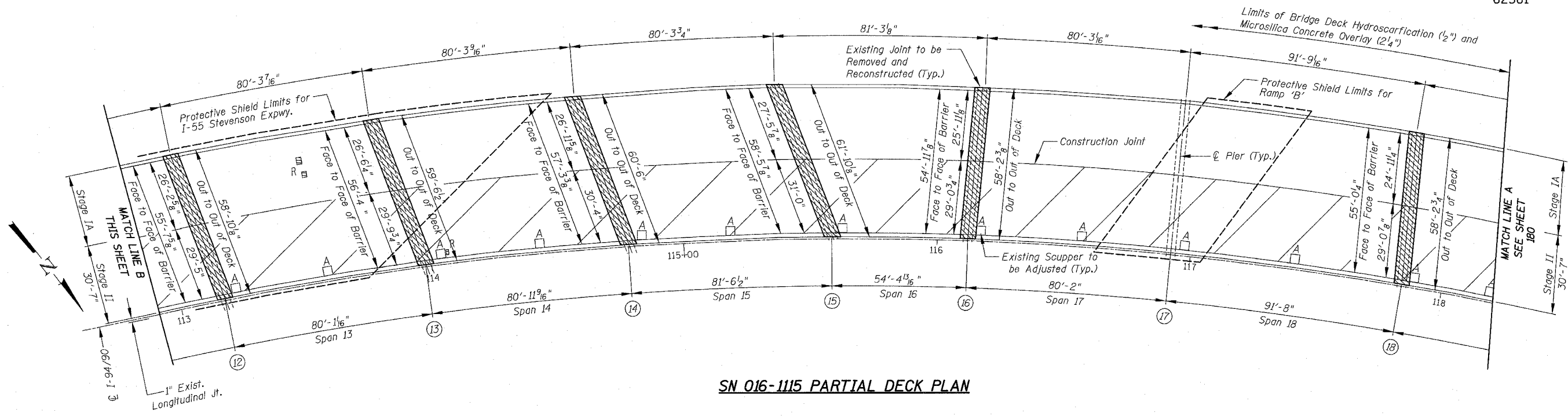
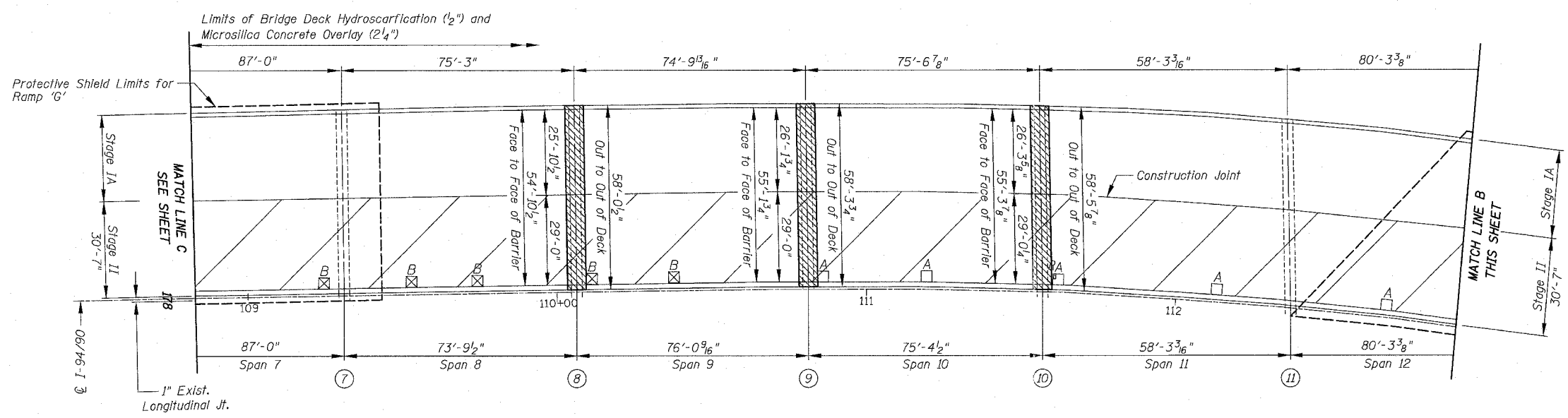


F.A.I.	SECTION	COUNTY	TOTAL SHEETS	SHEET NO.
94/90	2003-0291	COOK	344	179
STA.	TO STA.			
FED. ROAD DIST. NO.	ILLINOIS	FED. AID PROJECT	62581	



**SN 016-1115 PARTIAL DECK PLAN**



**SN 016-1115 PARTIAL DECK PLAN**

BOWMAN, BARRETT & ASSOCIATES INC  
CONSULTING ENGINEERS  
Chicago, Illinois  
312.228.0100  
www.bbainc.com

For Notes see Sheet 174, for Legend see Sheet 159

REVISIONS	
NAME	DATE

ILLINOIS DEPARTMENT OF TRANSPORTATION  
F.A.I. 94/90 (DAN RYAN EXPRESSWAY)  
SB DAN RYAN ELEVATED BRIDGE  
REPAIR FROM 15TH TO 28TH STREETS  
PARTIAL DECK PLAN  
SN 016-1115  
SCALE: 1"=20'  
DATE: 5/25/2006  
DRAWN BY: BDC  
CHECKED BY: BLU

5/25/2006 6:53:01 PM