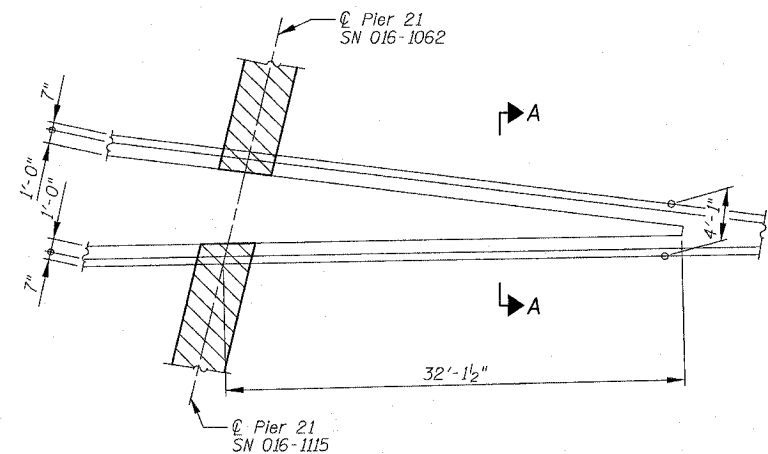
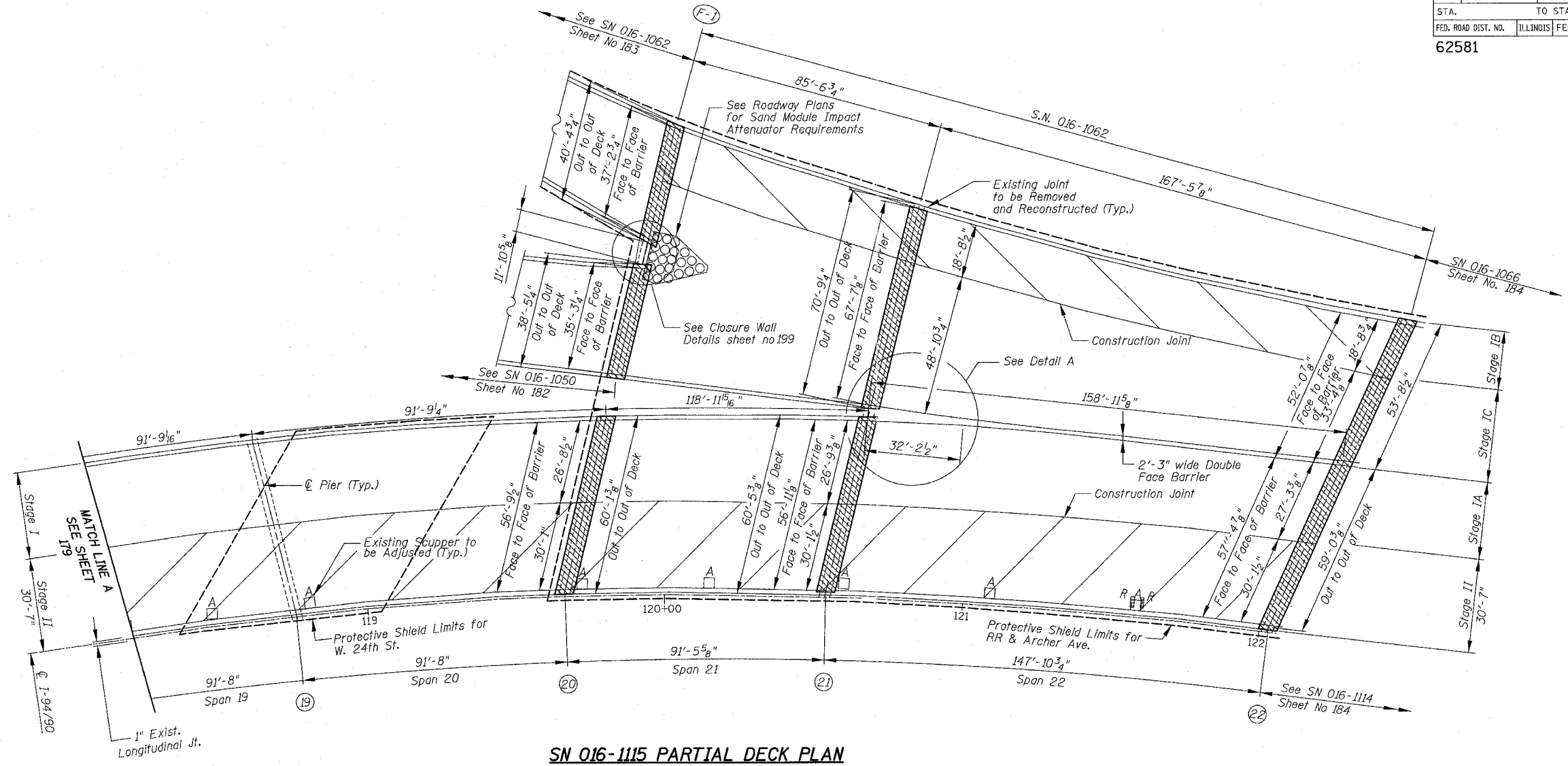
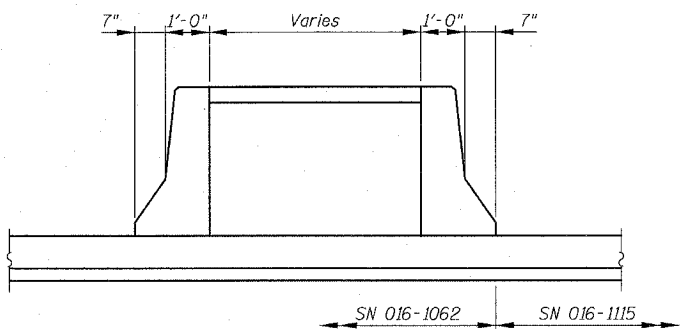


F.A.I.	SECTION	COUNTY	TOTAL SHEETS	SHEET NO.
94/90	2003-0291	COOK	344	180
STA.	TO STA.			
FED. ROAD DIST. NO.	ILLINOIS	FED. AID PROJECT	62581	



DETAIL A



SECTION A-A

REVISIONS	
NAME	DATE

ILLINOIS DEPARTMENT OF TRANSPORTATION
 F.A.I. 94/90 (DAN RYAN EXPRESSWAY)
 SB DAN RYAN ELEVATED BRIDGE
 REPAIR FROM 15TH TO 28TH STREETS
 PARTIAL DECK PLAN
 SN 016-1115

SCALE: 1"=20'
 DATE: 5/25/2006

DRAWN BY: BOC
 CHECKED BY: BLU

BOWMAN, BARRETT & ASSOCIATES INC.
 CONSULTING ENGINEERS
 Chicago, Illinois
 312.228.0100
 www.bbainc.com

For Notes see Sheet 174, for Legend see Sheet 159

5/25/2006 7:35:24 PM