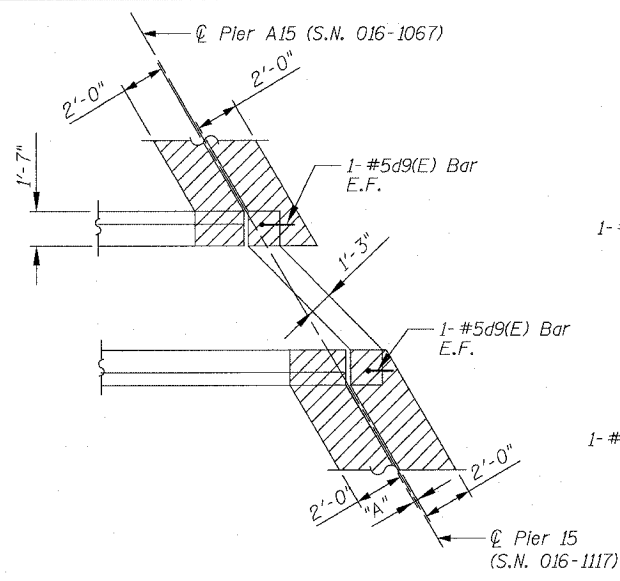
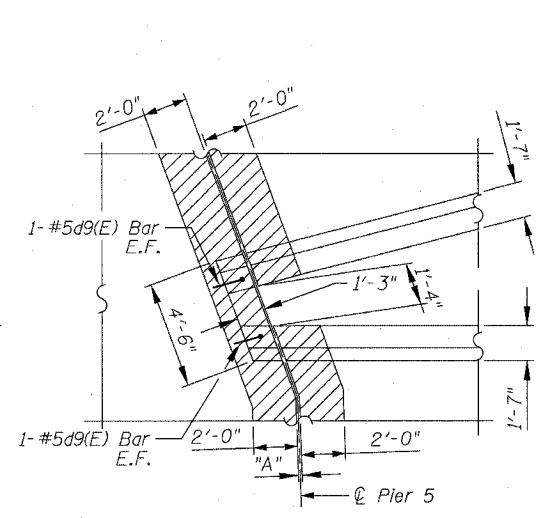


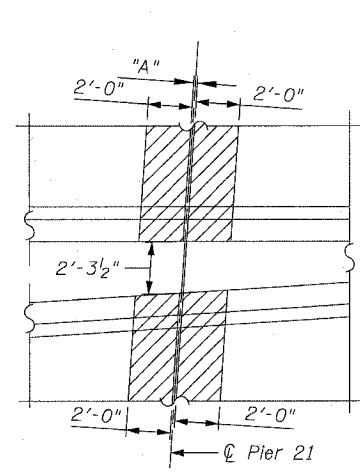
F.A.I.	SECTION	COUNTY	TOTAL SHEETS	SHEET NO.
94/90	2003-0291	COOK	344	199
STA.	TO STA.			
FED. ROAD DIST. NO.	ILLINOIS	FED. AID PROJECT		
62581				



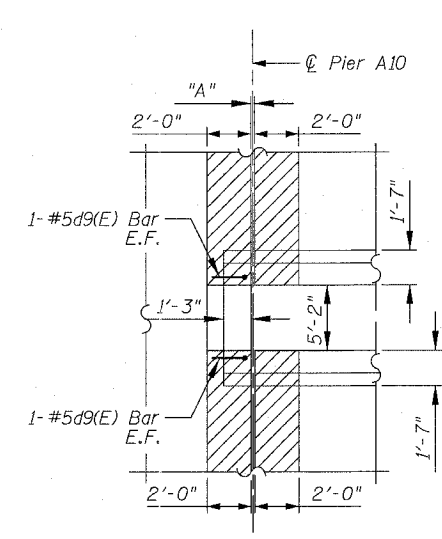
CLOSURE WALL DETAIL
SN 016-1117 PIER 15
SN 016-1067 PIER A15
 (NTS)



CLOSURE WALL DETAIL
SN 016-1115 PIER 5
 (NTS)



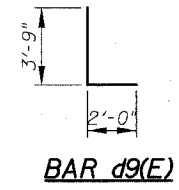
CLOSURE WALL DETAIL
SN 016-1115 PIER 21
 (NTS)



CLOSURE WALL DETAIL
SN 016-1113 PIER A10
 (NTS)

CLOSURE WALL REINFORCEMENT
BAR SCHEDULE

STRUCTURE	PIER	BAR	NO.	SIZE	LENGTH	SHAPE
016-1117	15	d9(E)	2	#5	5'-9"	L
016-1067	A15	d9(E)	2	#5	5'-9"	L
016-1115	5	d9(E)	4	#5	5'-9"	L
016-1050	F1	d9(E)	2	#5	5'-9"	L
016-1062	F1	d9(E)	2	#5	5'-9"	L
016-1113	A10	d9(E)	4	#5	5'-9"	L
016-1112	12	d9(E)	4	#5	5'-9"	L

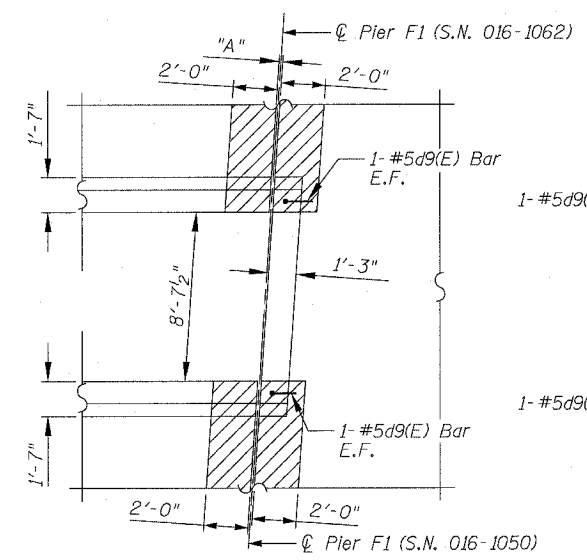


Cut #5d9(E) Bar in the field to fit the Closure Wall

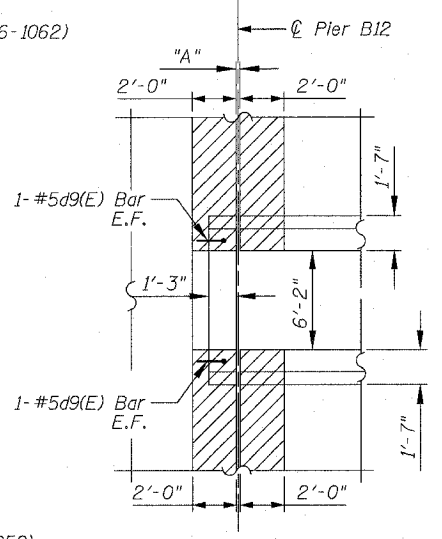
BAR d9(E)

CLOSURE WALL
BILL OF MATERIALS

ITEM DESCRIPTION	UNIT	QUANTITY	016-1117	016-1067	016-1115	016-1050	016-1062	016-1113	016-1112
Reinforcement Bars, Epoxy Coated	Pound	30	3	3	6	3	3	6	6



CLOSURE WALL DETAIL
SN 016-1050 PIER F1 &
SN 016-1062 PIER F1
 (NTS)



CLOSURE WALL DETAIL
SN 016-1112 PIER 12 & B12
 (NTS)

BOWMAN, BARRETT & ASSOCIATES INC.
 CONSULTING ENGINEERS
 Chicago, Illinois
 312.228.0100
 www.bbainc.com

REVISIONS	
NAME	DATE

ILLINOIS DEPARTMENT OF TRANSPORTATION
 F.A.I. 94/90 (DAN RYAN EXPRESSWAY)
 SB DAN RYAN ELEVATED BRIDGE
 REPAIR FROM 15TH TO 28TH STREETS
 CLOSURE WALL
 GENERAL DETAILS
 SCALE: NTS
 DATE: 5/25/2006
 DRAWN BY: BDC
 CHECKED BY: BLU

5/25/2006 6:54:21 PM