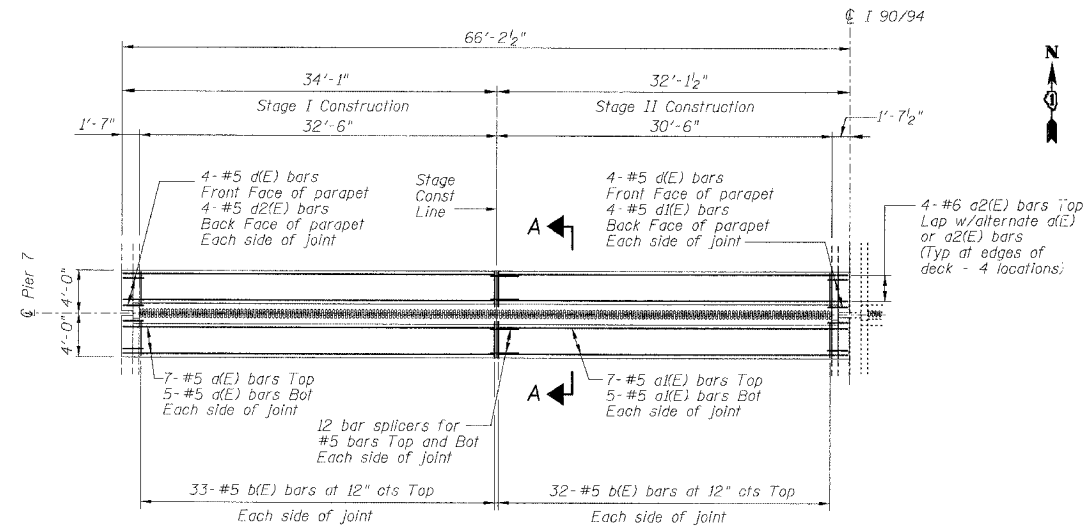


STATE OF ILLINOIS  
DEPARTMENT OF TRANSPORTATION

ROUTE NO.	SECTION	COUNTY	TOTAL SHEETS	SHEET NO.
FAT 90/94		COOK	344	230
FED. ROAD DIST. NO.	ILLINOIS	PROJECT		

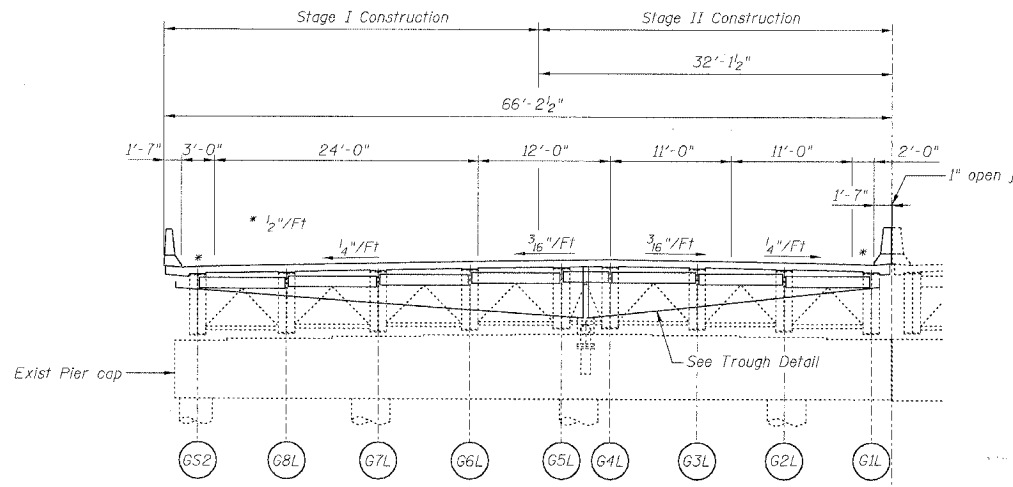
Sheet No 3  
of 8 Sheets

2003-029 I  
CONTRACT #62581

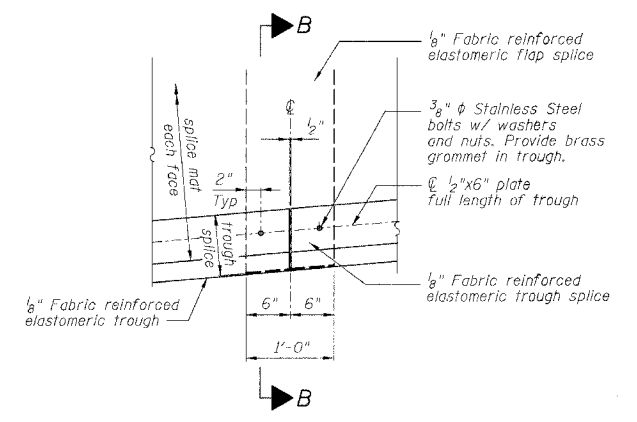


FINGER PLATE AT PIER 7 SOUTHBOUND  
JOINT RECONSTRUCTION PLAN AT PIER 7

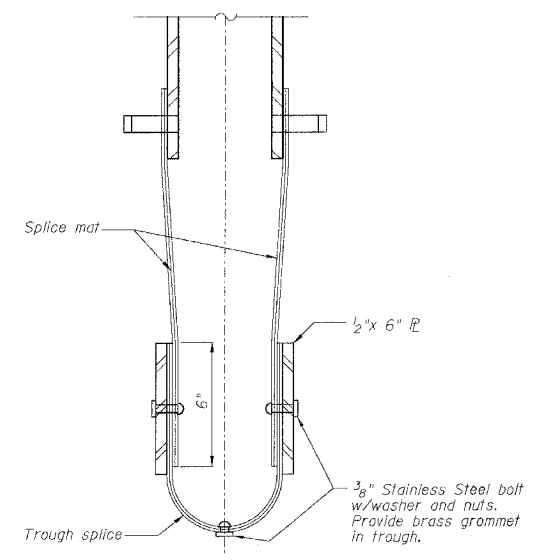
MIN BAR LAP  
#5 bar = 1'-3"



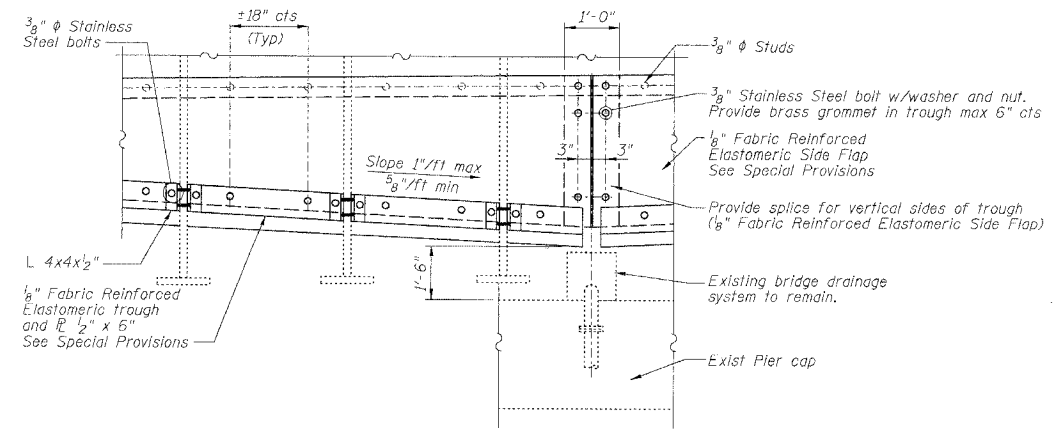
PIER 7 SOUTHBOUND  
ELEVATION AT PIER 7 (LOOKING NORTH)



TROUGH SPLICE DETAIL



SECTION B-B



TROUGH DETAIL

NOTES  
For Section A-A see Sheet 4 of 8.

PIER NO. 7  
FINGER PLATE EXPANSION JOINT DETAILS

REVISIONS NO. DATE INITIALS		STATE OF ILLINOIS DEPARTMENT OF TRANSPORTATION DIVISION OF HIGHWAYS		DRAWN BY DATE RLK 5/03
FAI RTE 90/94 SB DAN RYAN EXPRESSWAY SN 016-1111 (SOUTHBOUND)		SEC 2003-029 I COOK COUNTY		CHECKED BY DATE SDS 5/03
HOMER L. CHASTAIN & ASSOCIATES CONSULTING ENGINEERS		8800 W. BRYN MAWR AVENUE SUITE 304 CHICAGO, ILLINOIS 60618 312-714-0050		PROJECT NO. 4222-3
				SHEET NO.