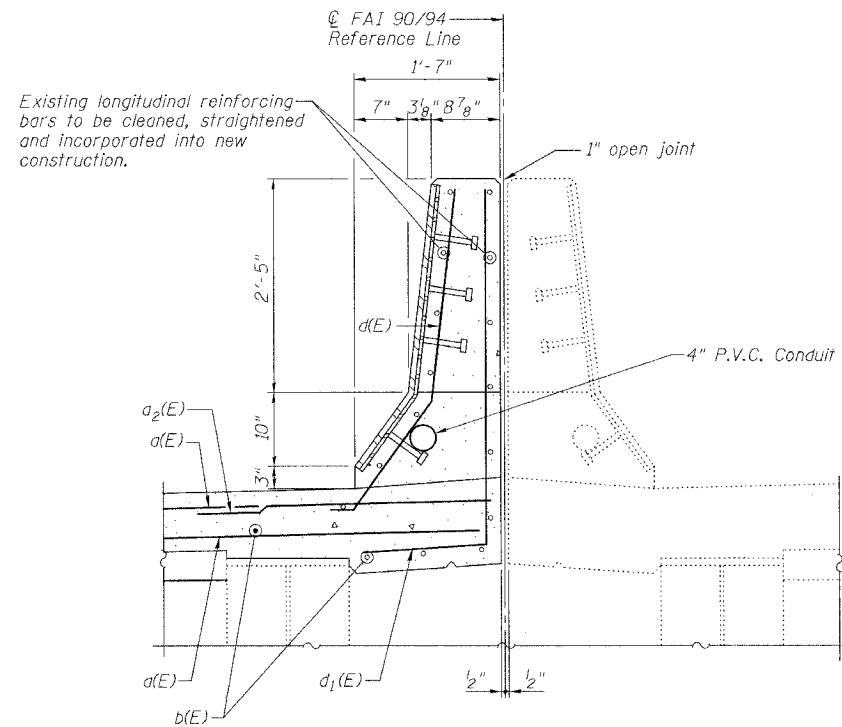


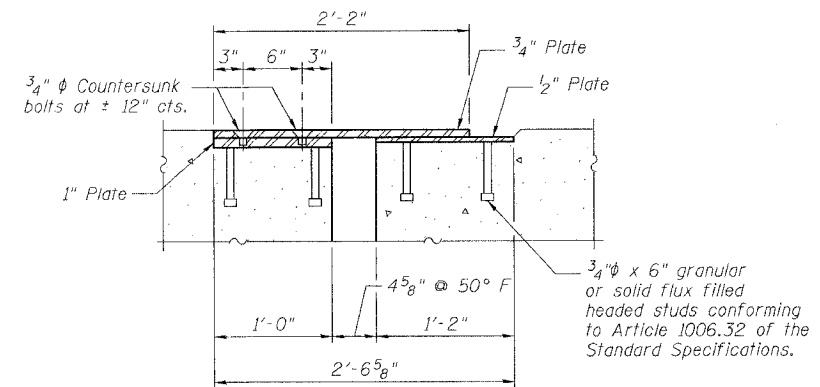
STATE OF ILLINOIS
DEPARTMENT OF TRANSPORTATION

ROUTE NO.	SECTION	COUNTY	TOTAL SHEETS	SHEET NO.
FAI 90/94	*	COOK	344	240
FED. ROAD DIST. NO.		ILLINOIS	FED. AID PROJECT	
2003-0293		Contract #62581		

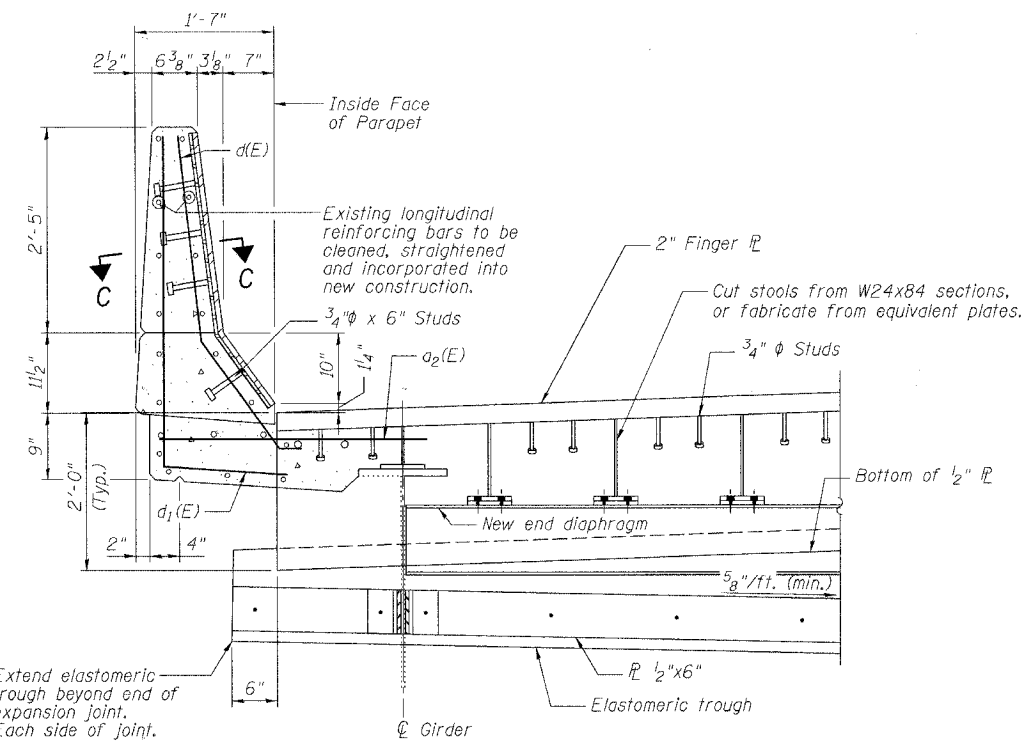
SHEET NO. 5
8 SHEETS



DETAIL AT MEDIAN PARAPET
(Looking North)

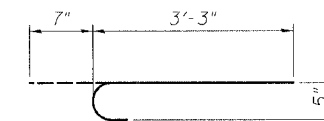


SECTION C-C

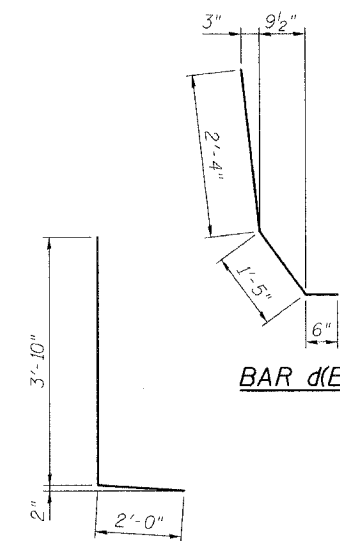


SECTION B-B

(For location of Section B-B, See Sheet 4 of 8)



BAR b(E)



BAR d1(E)

BILL OF MATERIAL

Bar	No.	Size	Length	Shape
a(E)	24	#5	33'-0"	—
a1(E)	24	#5	31'-0"	—
a2(E)	16	#6	4'-6"	—
b(E)	128	#5	3'-10"	—
d(E)	16	#5	4'-3"	—
d1(E)	20	#5	5'-10"	—
Reinforcement Bars, Epoxy Coated		Pound	2410	
Concrete Removal		Cu. Yd.	14.1	
Concrete Superstructure		Cu. Yd.	16.7	
Mechanical Splice		Each	128	
Bar Splicers		Each	24	

Reinforcing bars designated (E) shall be epoxy coated.

ILLINOIS DEPARTMENT OF TRANSPORTATION

PARAPET DETAILS

F.A.I. ROUTE 90/94 SOUTHBOUND (DAN RYAN EXPRESSWAY)
16TH STREET TO 18TH STREET
COOK COUNTY
S.N. 016-1111 - PIER 2

SCALE: VERT. _____
HORIZ. _____
DATE: 7/19/05

DRAWN BY: LANDREY
DESIGNED BY: SANFORD
CHECKED BY: MATHUR

GREENE & BRADFORD, INC.
OF SPRINGFIELD
CONSULTING ENGINEERS
ARCHITECTS AND PLANNERS
PROFESSIONAL ENGINEERS AND ARCHITECTS
REGISTERED IN THE STATES OF ILLINOIS AND MISSOURI
INCORPORATED IN THE STATE OF MISSOURI
1001 N. GARDEN, SPRINGFIELD, ILLINOIS 62761-1001
TEL: 417-866-1200 FAX: 417-866-1201 WWW: WWW.G&B.COM

COMPUTER FILE NO.
04286-W05-SB-PD
PROJECT 04286-W05
5/16/06-MML

REVISIONS	
NAME	DATE

FILE NAME = J:\04286-W05\DRAWINGS\Southbound\04286-W05-SB-PD.dgn
PLOT SCALE = 1/8"=1'-0"
PLOT DATE = 5/16/06
PLOT TIME = 3:08:46 PM
OPERATOR = michellel